

All information contained in this manual is based on the latest product information at the time of publication. Bajaj Auto Limited accepts no liability for any inaccuracies or omissions in this publication, although every possible care has been taken to make it as complete and accurate as possible. All procedures and specifications subject to change without prior notice. The right is reserved to make such changes at any time without prior notice and without incurring an obligation to make such changes to product manufactured previously. Contact your authorized Bajaj Dealer for the latest information on product improvements incorporated after this manual was issued.

DOC. NO.: 71112798

REV. 00, NOV. 2017

We have pleasure in presenting the Spare Parts Catalogue for **'RE Compact, Compact†, MaximaC CNG 4S- BS4** Vehicles. This catalogue has been specially designed to assist you in selecting the correct parts to maintain your vehicle in best running condition.

The Bajaj spares are subjected to the stringent quality control standards to ensure longer life of the vehicles. It is therefore necessary that only the Bajaj Genuine Spares & oil are used.

In a continual effort to improve performance & efficiency of the vehicle, Specifications, Diagrams, Illustrations and Part Numbers can change without notice. Consequently, the description in this Spare Parts Catalogue cannot therefore be final and binding on us.

The modifications / alterations which are carried out after the issue of this catalogue, will be conveyed to you through our service circulars. You are requested to make necessary corrections in the parts catalogues as per the circulars so as to keep your catalogues up to date. This will ensure the appropriate and speedy delivery of the spare parts as the order placed will bear the latest part numbers.

For latest information of serviceable spares, refer catalogue on dealer portal.

In case, if you need any technical assistance contact the concerned Regional Office or write to us on the following address :

Service Department  
Bajaj Auto Ltd.  
Akurdi, Pune 411 035 India  
Phone : 020-66106104  
E-mail : [service@bajajauto.co.in](mailto:service@bajajauto.co.in)

- How to Read the Catalogue : Open the catalogue and from the pictorial index locate the group in which the part you want to find is present. Turn over to the concerned page number (as given by pictorial index). Now find out the figure of the part you wish to order. Write down the part number against that particular figure number from the text.

In case, if you have the part number and you need the other details, the part index can be used. The part index (at the end of the catalogue) will give you the figure and page number of the part you wish to order.

- How to Order Spare Parts : The part number and the description of the part required should be invariably mentioned in the order as per the catalogue text.

The latest part number as conveyed through our service circulars should only appear on the order. In case of ordering painted components, colour shade of the components should be mentioned.

The quantity shown against the part number is the quantity per vehicle for that group so that particular quantity should be multiplied by the number of sets required.

- Part Number System: We have used 8 digit system for part numbers. The model or hardware item is indicated by first two digits or alphanumeric, the next two or four digits indicate main group and the last four or two digits indicate serial number in main group or serial number or subgroup of fastener respectively. Thus the part numbers will be indicated by 2-2-4 or 2-4-2 digit system. Understanding this system will enable you to identify the spare parts easily.

- Abbreviations : The following abbreviations are used in this catalogue.

Comp.-	complete	NS-	Not serviceable
Assly.-	Assembly	N.I.-	Not illustrated
Fr-	Front	Alt.-	Alternate
R.H.-	Right hand	L.H.-	Left hand

- Abbreviations (model name) :

AA-	Compact PET	AZ-	Compact+ CNG
AF-	Compact CNG	RA-	Compact+ LPG
AM-	Compact LPG	AN-	Maxima C CNG

S.N.	Description	Page No.	S.N.	Description	Page No.
1	Engine	1	44	Rear Wheel exle- Compact+	52
2	Crank Case Magneto Side	2	45	Front Shock Absorber & Drum	53
3	Crankcase Clutch Side	3,4	46	Front Shock Absorber & linkage	54
4	Clutch Cover	5,6	47	Front Hub Assembly	55,56
5	Differential Cover	7	48	Front brake drum	57,58
6	Cylinder / Piston	8	49	Auto Adjuster Brake System	59,60
7	Cylinder Head	9,10	50	Auto Adjuster Brake System	61,62
8	Rocker Arm & Valve	11	51	Steering Column	63,64
9	Cowlings	12	52	Front Mudguard	65
10	Cam Shaft & Chain Tensioner	13	53	Brake Pipe	66
11	Crank Shaft	14	54	Tandon Master Cylinder	67
12	Main Shaft	15	55	Brake Pedal	68
13	Gear Transmission	16	56	Hand Brake	69,70
14	Differential	17	57	Revers Brake	71
15	Differential - C CNG	18	58	Battery mounting	72
16	Pump Assly Oil	19	59	Handle Bar	73,74
17	Clutch Complete	20	60	Control Cables	75,76
18	Fare Meter Drive Unit	21	61	Frame Chassis	77,78
19	Gear Shifter	22	62	Harness Wiring	79,80
20	Sector Gear	23,24	63	Dashboard	81,82
21	Starter Motor	25	64	Dashboard- C CNG	83,84
22	Magneto & h.t coil	26	65	Wind Shield & Wiper Motor	85
23	Engine Mounting	27	66	Steering & Head Lamp cover	86
24	Engine Mounting CNG	28	67	Cabin	87,88
25	Silencer	29	68	Door - C CNG	89,90
26	Carburetor	30	69	Body	91,92
27	Carburetor spares	31,32	70	Passenger Body	93,94
28	Air Filter Complete	33,34	71	Tray Body	95,96
29	Pipe air intake (Compact+)	35	72	Seat assly- Compact	97,98
30	Pipe air intake (C CNG)	36	73	Seat assly	99,100
31	Oil Cooler Assembly	37,38	74	Hood frame- Compact	101
32	Petrol Tank & Cock	39,40	75	Hood frame- Compact+	102
33	Petrol Tank- Compact (LPG,CNG)	41	76	Head Light & Blinkers	103
34	Petrol Tank- Compact+	42	77	Tail Lamp	104
35	Petrol Tank- Cargo (CNG)	43	78	Switches & Horn	105
36	Unit Sai	44	79	Electrical Units	106
37	Propeller Shaft / Flanges	45	80	Cylinder for CNG & LPG Vehicle	107,108
38	CV Shaft	46	81	Relay, Solenoid & Filter Valve	109
39	Training Arm - Compact	47	82	Filler Connector unit	110
40	Training Arm - Compact+	48	83	1st Stage Reduction Unit	111,112
41	Training Arm - Cargo	49	84	Regulator	113,114
42	Rear Wheel exle- Cargo (CNG)	50	85	Multi Valve(Zero Deg)	115
43	Rear Wheel exle	51			

PLATE NO. : 1	PAGE NO.:
ENGINE	1

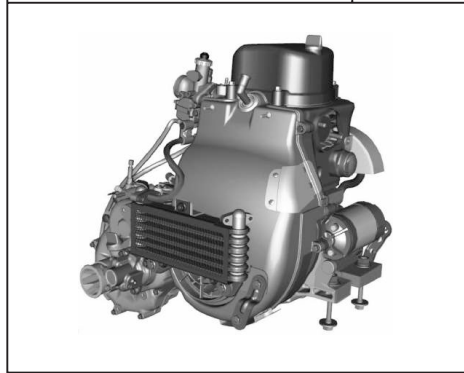


PLATE NO. : 3	PAGE NO.:
CRANKCASE CLUTCH SIDE	3,4

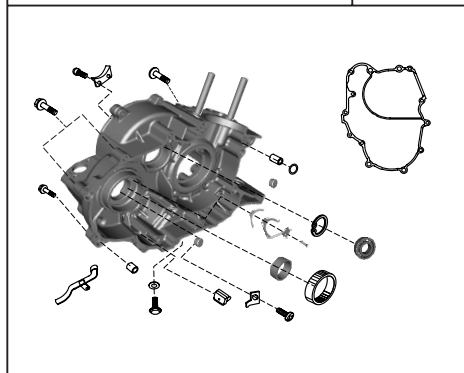


PLATE NO. : 5	PAGE NO.:
DIFFERENTIAL COVER	7

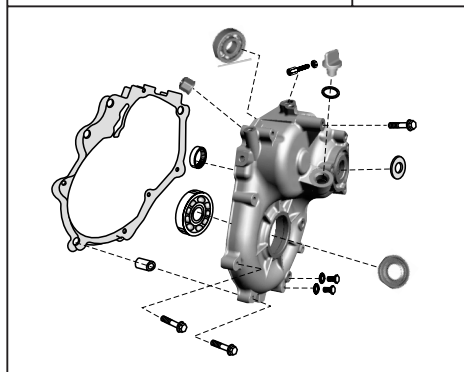


PLATE NO. : 2	PAGE NO.:
CRANK CASE MAGNETO SIDE	2

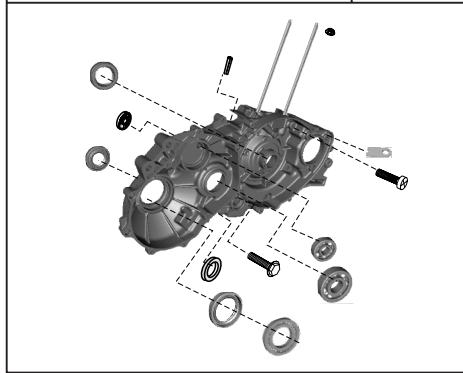


PLATE NO. : 4	PAGE NO.:
CLUTCH COVER	5,6

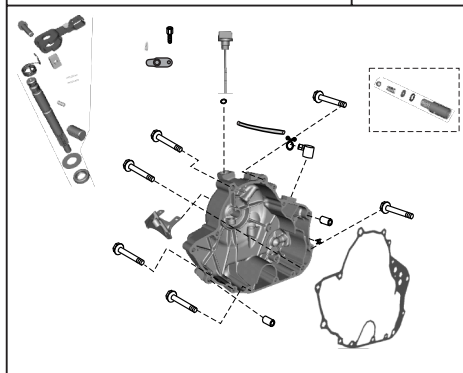


PLATE NO. : 6	PAGE NO.:
CYLINDER / PISTON	8

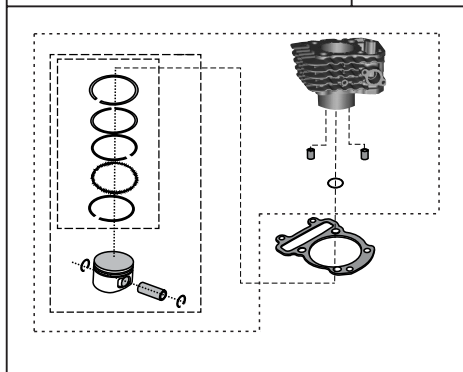


PLATE NO. : 7	PAGE NO.:
CYLINDER HEAD	9,10

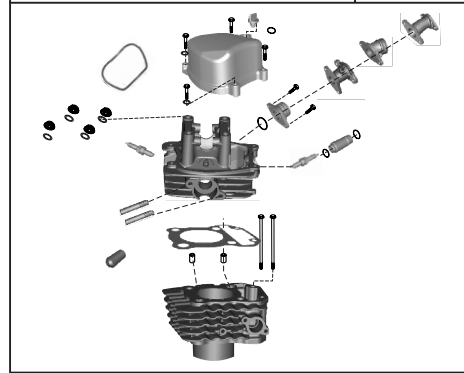


PLATE NO. : 9	PAGE NO.:
COWLING	12

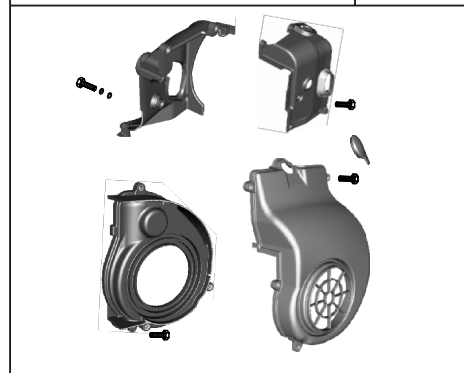


PLATE NO. : 11	PAGE NO.:
CRANK SHAFT	14

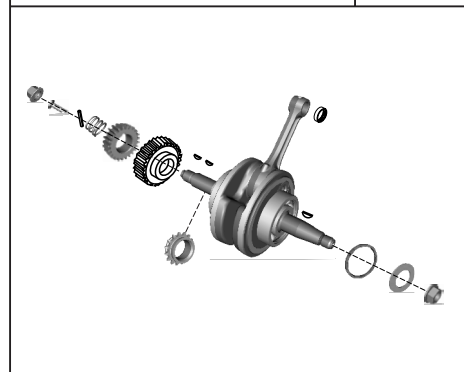


PLATE NO. : 8	PAGE NO.:
ROCKER ARM & VALVE	11,12

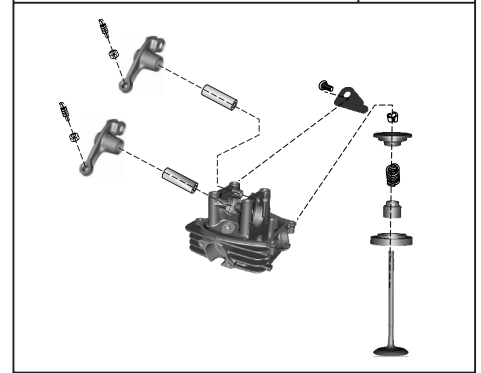


PLATE NO. : 10	PAGE NO.:
CAM SHAFT AND CHAIN TENSIONER	13

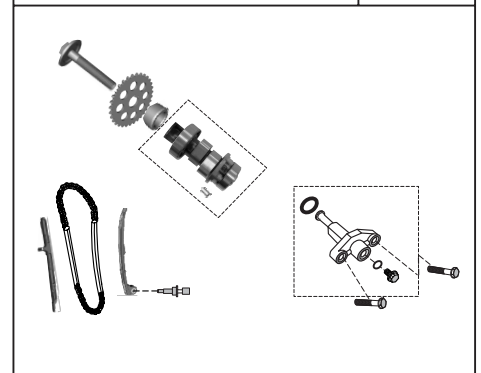
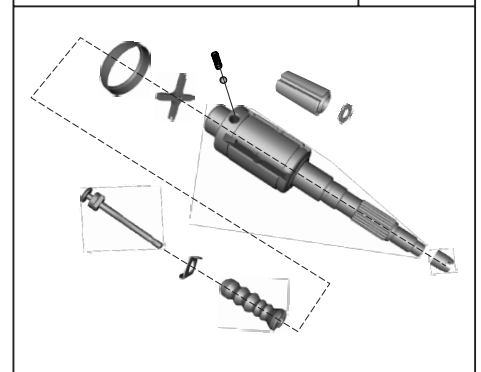


PLATE NO. : 12	PAGE NO.:
MAIN SHAFT	15



Pictorial Index

RE 4S - BS4

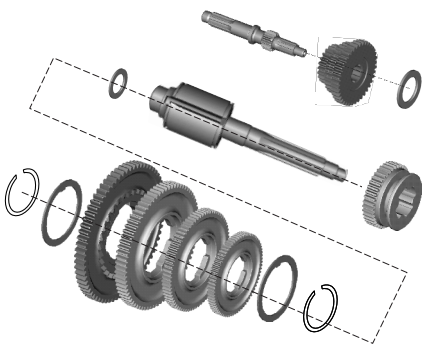
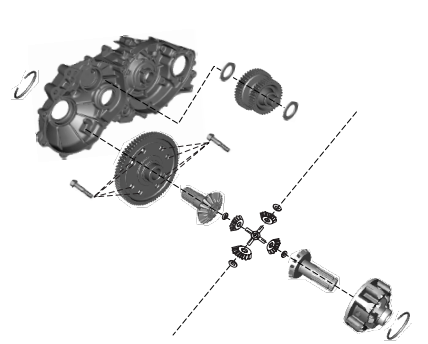
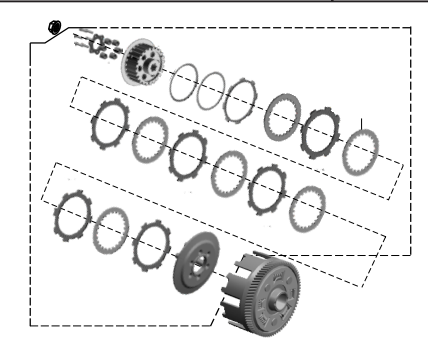
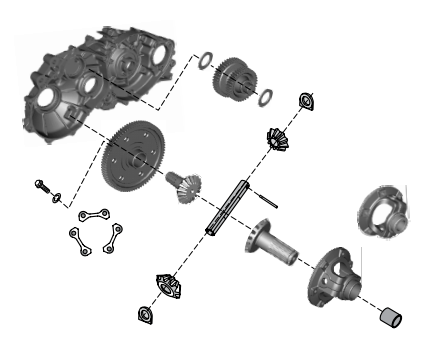
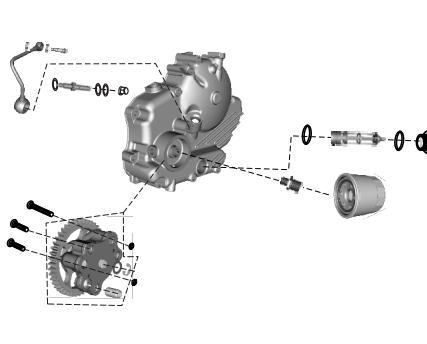
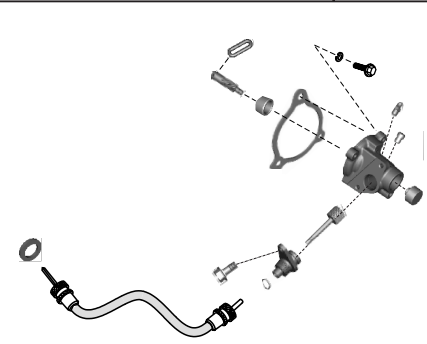
PLATE NO. : 13 GEAR TRANSMISSION	PAGE NO.: 16
	
PLATE NO. : 15 DIFFERENTIAL - C CNG	PAGE NO.: 18
	
PLATE NO. : 17 CLUTCH COMPLETE	PAGE NO.: 20
	

PLATE NO. : 14 DIFFERENTIAL	PAGE NO.: 17
	
PLATE NO. : 16 PUMP OIL	PAGE NO.: 19
	
PLATE NO. : 18 FARE METER DRIVE UNIT	PAGE NO.: 21
	

Pictorial Index

RE 4S - BS4

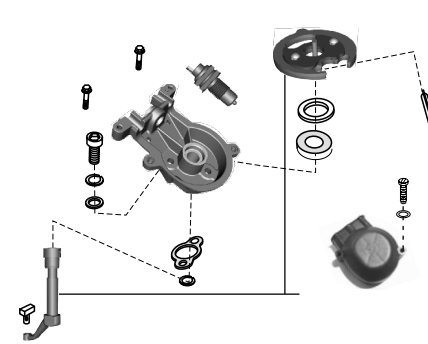
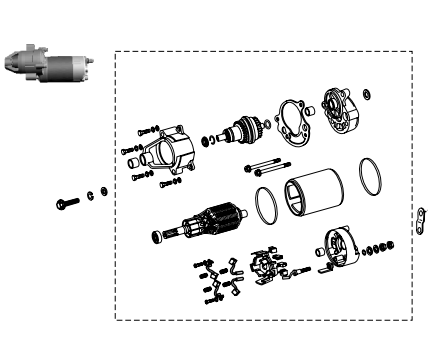
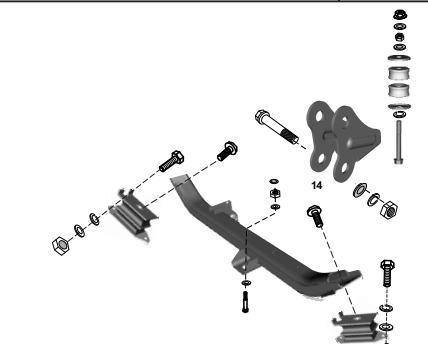
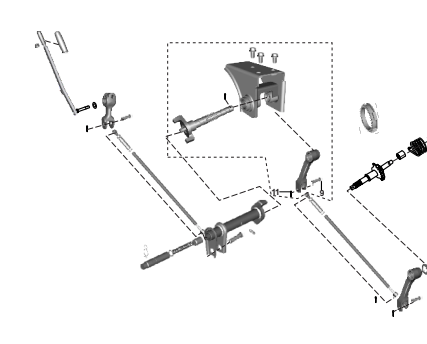
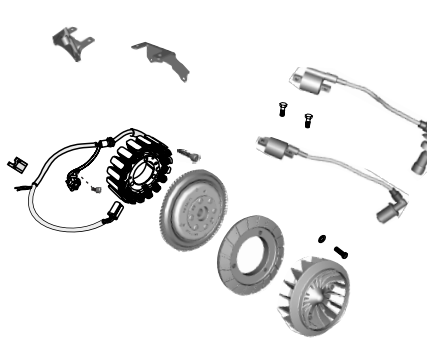
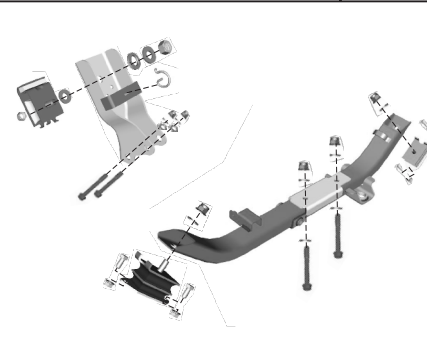
PLATE NO. : 19 GEAR SHIFTER	PAGE NO.: 22
	
PLATE NO. : 21 STARTER MOTOR	PAGE NO.: 25
	
PLATE NO. : 23 ENGINE MOUNTING	PAGE NO.: 27
	

PLATE NO. : 20 SECTOR GEAR	PAGE NO.: 23,24
	
PLATE NO. : 22 MAGNETO & H.T. COIL	PAGE NO.: 26
	
PLATE NO. : 24 ENGINE MOUNTING CNG	PAGE NO.: 28
	

Pictorial Index

RE 4S - BS4 

PLATE NO. : 25  
SILENCER

PAGE NO.:  
29

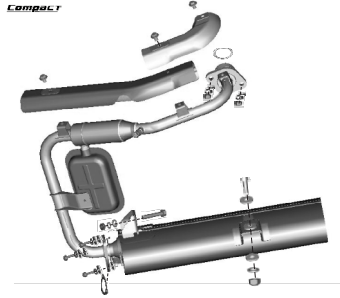


PLATE NO. : 27  
CARBURETOR

PAGE NO.:  
31,32

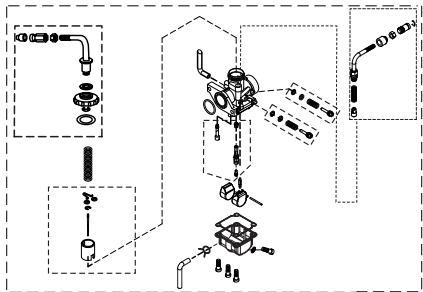


PLATE NO. : 29  
PIPE AIR INTAKE

PAGE NO.:  
35

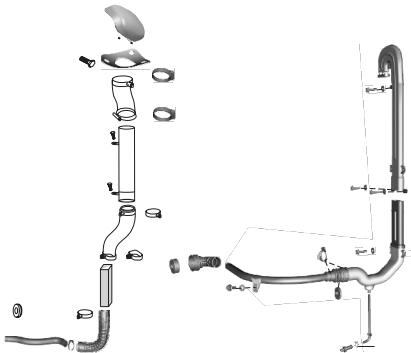


PLATE NO. : 26  
CARBURETOR

PAGE NO.:  
30

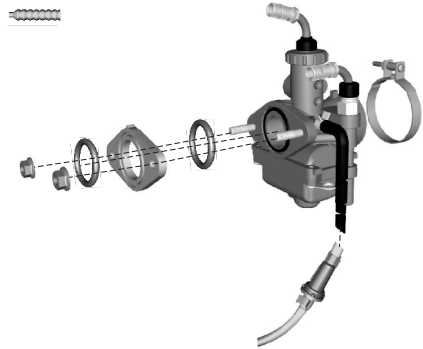


PLATE NO. : 28  
AIR FILTER COMPLETE

PAGE NO.:  
33,34

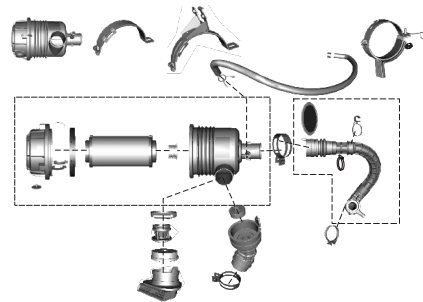
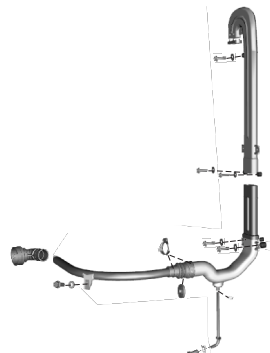


PLATE NO. : 30  
PIPE AIR INTAKE CARGO CNG

PAGE NO.:  
36



Pictorial Index

RE 4S - BS4 

PLATE NO. : 31  
OIL COOLER

PAGE NO.:  
37,38

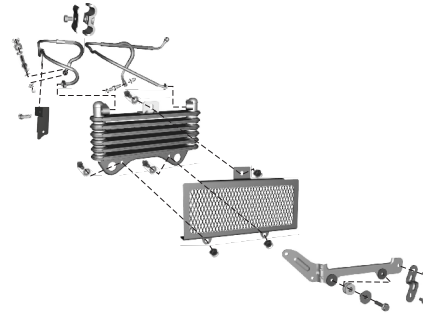


PLATE NO. : 33  
PETROL TANK- Compact (CNG,LPG)

PAGE NO.:  
41

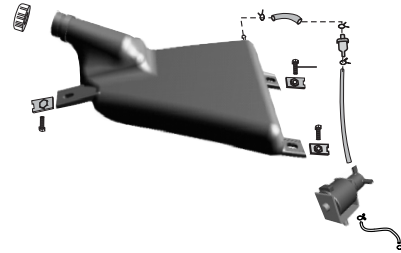


PLATE NO. : 35  
PETROL TANK- C CNG

PAGE NO.:  
43

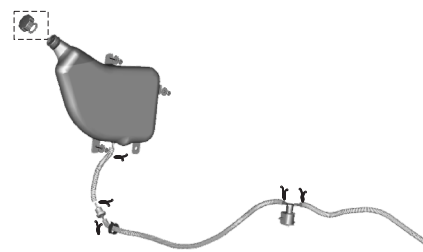


PLATE NO. : 32  
PETROL TANK

PAGE NO.:  
39,40

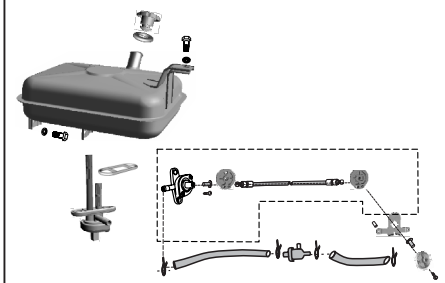


PLATE NO. : 34  
PETROL TANK- Compact+

PAGE NO.:  
42

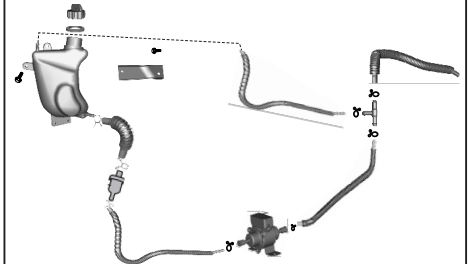
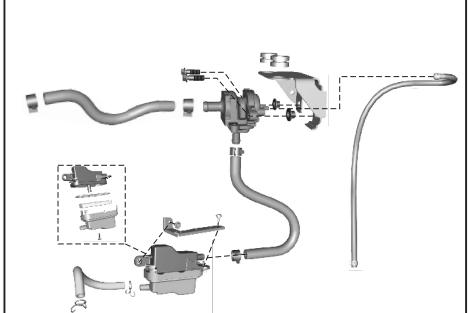


PLATE NO. : 36  
UNIT SAI

PAGE NO.:  
44



Pictorial Index

RE 4S - BS4 

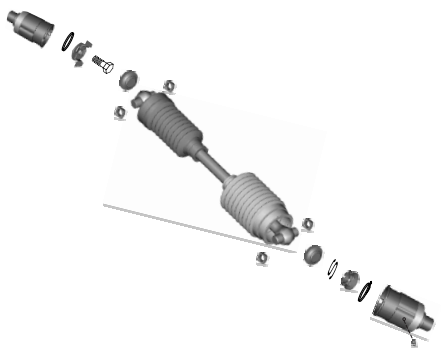
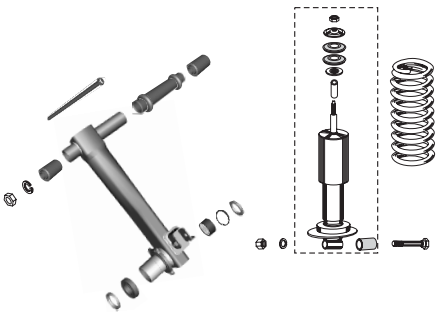
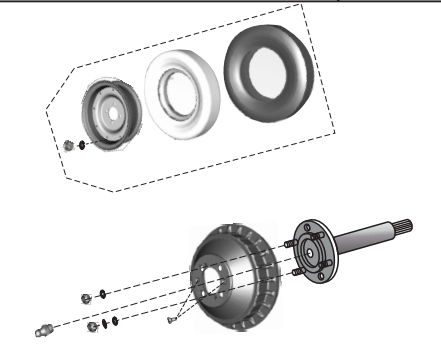
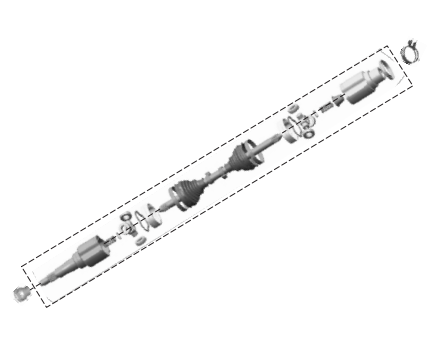
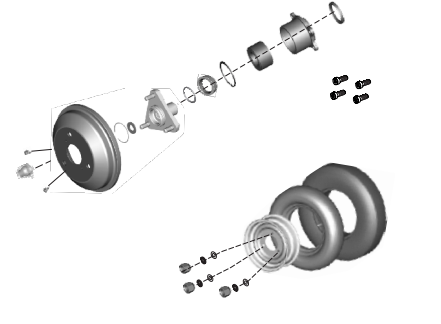
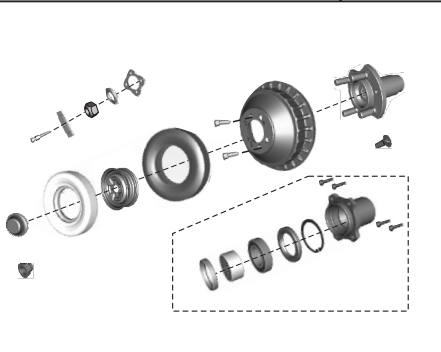
PLATE NO. : 37 PROPELLER SHAFT / FLANGES	PAGE NO.: 45
	
PLATE NO. : 39,40,41 TRAILING ARM/ RR SH. ABS	PAGE NO.: 47,48,49
	
PLATE NO. : 43 REAR WHEEL AXLE	PAGE NO.: 51
	

PLATE NO. : 38 CV SHAFT	PAGE NO.: 46
	
PLATE NO. : 42 REAR WHEEL AXLE CARGO	PAGE NO.: 50
	
PLATE NO. : 44 REAR WHEEL AXLE	PAGE NO.: 52
	

Pictorial Index

RE 4S - BS4 

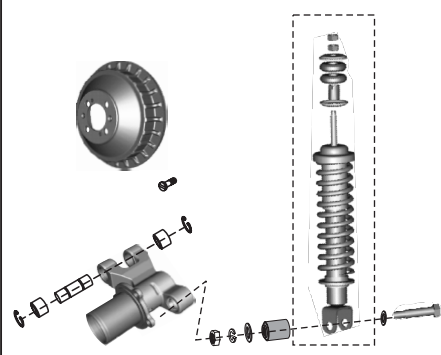
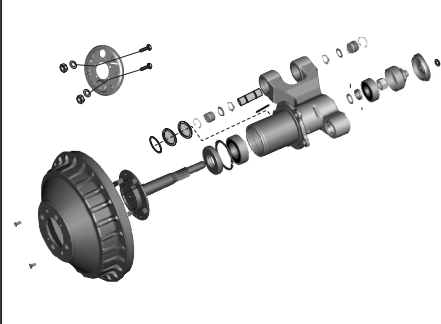
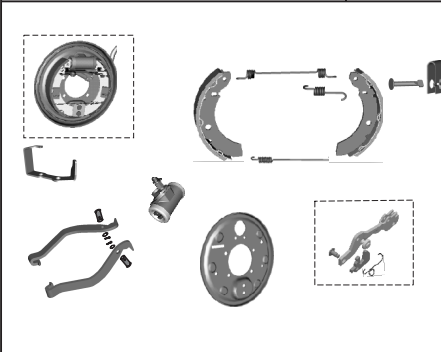
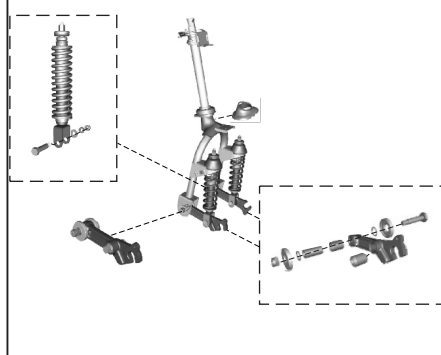
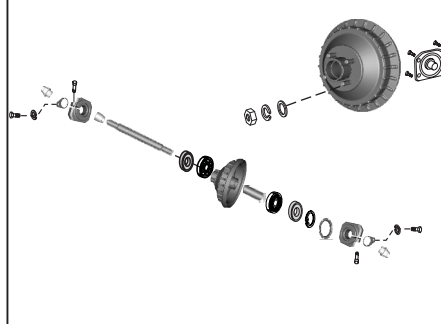
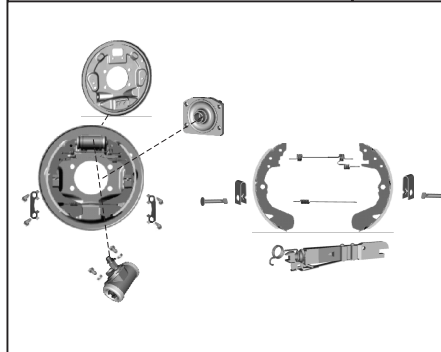
PLATE NO. : 45 FRONT SHOCK ABSORBER & DRUM	PAGE NO.: 53
	
PLATE NO. : 47 FRONT HUB	PAGE NO.: 55
	
PLATE NO. : 49 AUTO ADJUSTER BRAKE SYSTEM	PAGE NO.: 59,60
	

PLATE NO. : 46 FRONT SHOCK ABSORBER & LINKAGE	PAGE NO.: 54
	
PLATE NO. : 48 FRONT BRAKE DRUM	PAGE NO.: 56
	
PLATE NO. : 50 AUTO ADJUSTER BRAKE SYSTEM	PAGE NO.: 61,62
	

Pictorial Index

RE 4S - BS4 

PLATE NO. : 51  
STEERING COLUMN

PAGE NO.:  
63,64

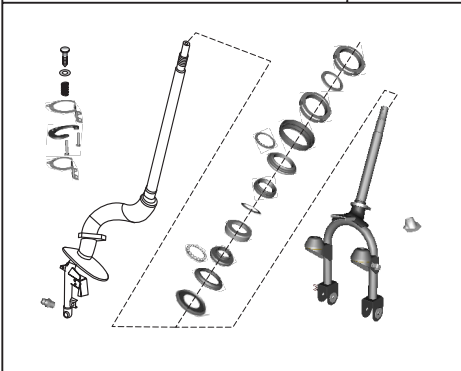


PLATE NO. : 53  
BRAKE PIPE

PAGE NO.:  
66

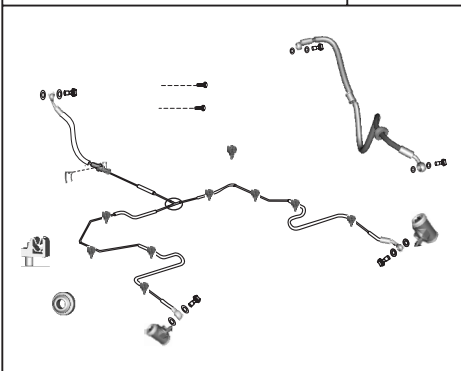


PLATE NO. : 55  
BRAKE PEDAL

PAGE NO.:  
68

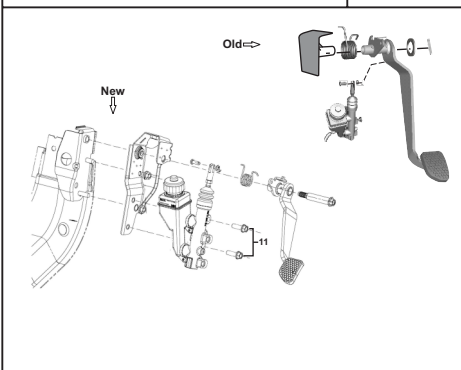


PLATE NO. : 52  
FRONT MUDGUARD

PAGE NO.:  
65

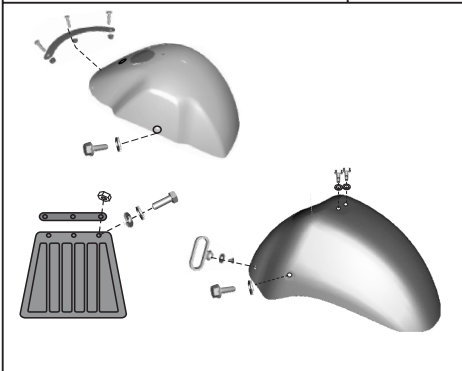


PLATE NO. : 54  
TANDEM MASTER CYLINDER

PAGE NO.:  
67

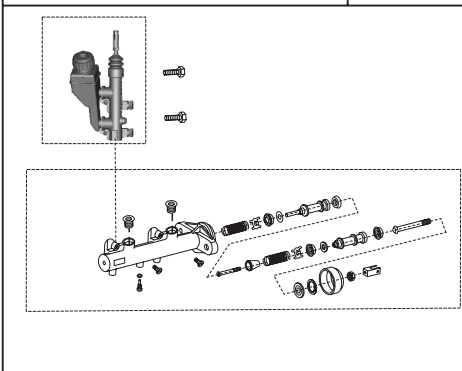
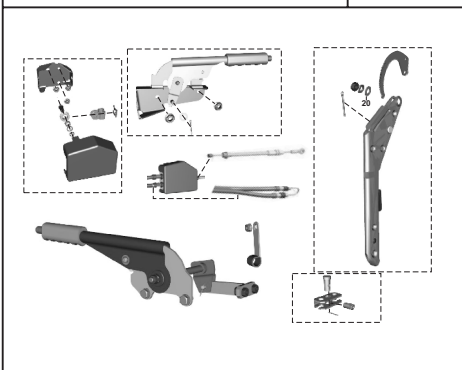


PLATE NO. : 56  
HAND BRAKE

PAGE NO.:  
69,70



Pictorial Index

RE 4S - BS4 

PLATE NO. : 57  
REVERSE BRAKE

PAGE NO.:  
71

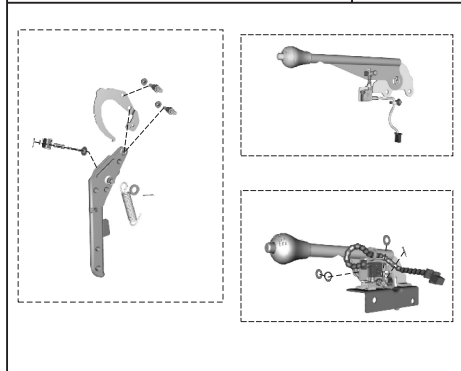


PLATE NO. : 59  
HAND BAR

PAGE NO.:  
73,74

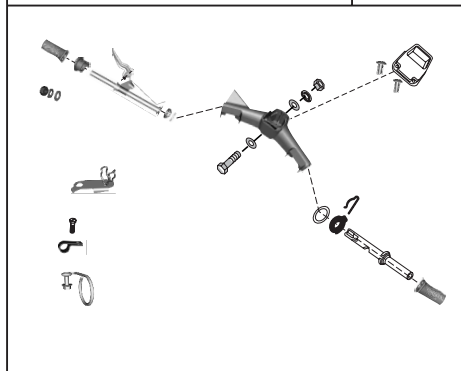


PLATE NO. : 61  
FRAME CHASSIS ASSLY

PAGE NO.:  
77,78

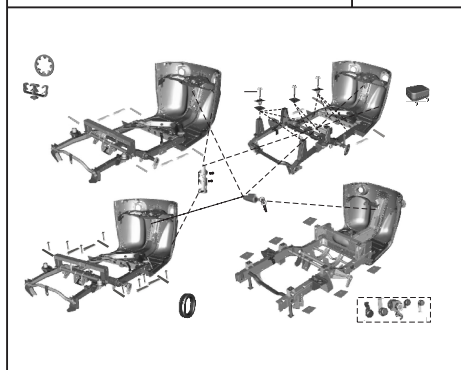


PLATE NO. : 58  
BATTERY MOUNTING

PAGE NO.:  
72

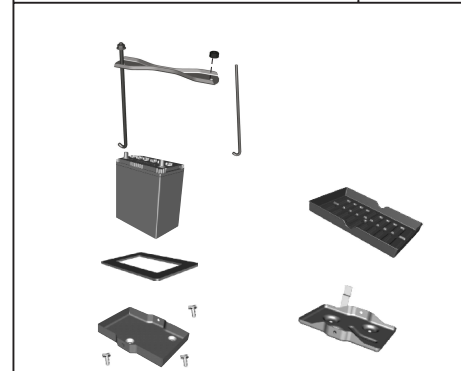


PLATE NO. : 60  
CONTROL CABLE

PAGE NO.:  
75,76

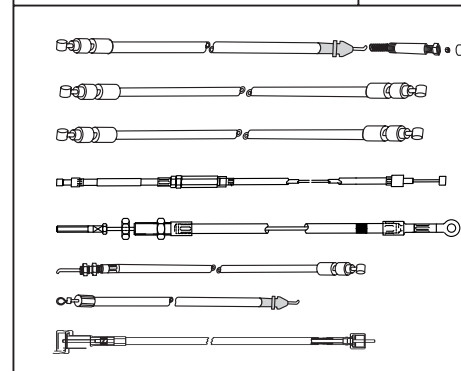
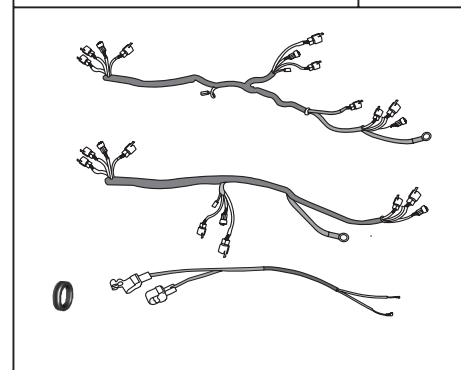


PLATE NO. : 62  
HARNES WIRING

PAGE NO.:  
79,80



Pictorial Index

RE 4S - BS4

PLATE NO. : 63,64 DASHBOARD	PAGE NO.: 81,82,83,84
PLATE NO. : 66 STEERING & HEAD LAMP COVER	PAGE NO.: 86
PLATE NO. :68 DOOR	PAGE NO.: 89,90

PLATE NO. : 65 WINDSHIELD & WIPER MOTOR	PAGE NO.: 85
PLATE NO. : 67 CABIN	PAGE NO.: 87,88
PLATE NO. : 69 BODY	PAGE NO.: 91,92

Pictorial Index

RE 4S - BS4

PLATE NO. : 70 PASSENGER BODY	PAGE NO.: 139,94
PLATE NO. : 72 SEAT ASSLY-Compact	PAGE NO.: 97,98
PLATE NO. : 74 HOOD FRAME -Compact	PAGE NO.: 101

PLATE NO. : 71 TRAY BODY	PAGE NO.: 95,96
PLATE NO. : 73 SEAT	PAGE NO.: 99,100
PLATE NO. : 75 HOOD FRAME- Compact+	PAGE NO.: 102

Pictorial Index

RE 4S - BS4 

PLATE NO. : 76  
HEAD LIGHT ASSLY & BLINKERS

PAGE NO.:  
103

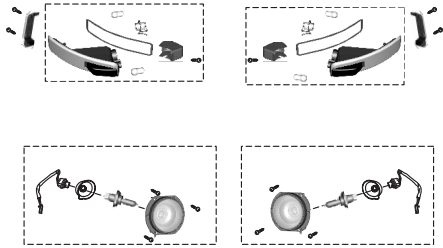


PLATE NO. : 78  
SWITCHES AND HORN

PAGE NO.:  
105

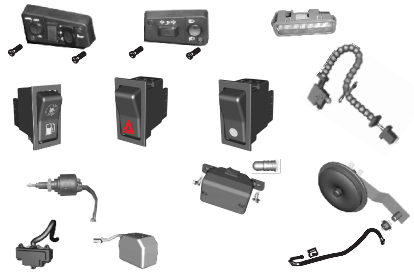


PLATE NO. : 80  
CYLINDER FOR LPG&CNG VHICLES

PAGE NO.:  
107,108

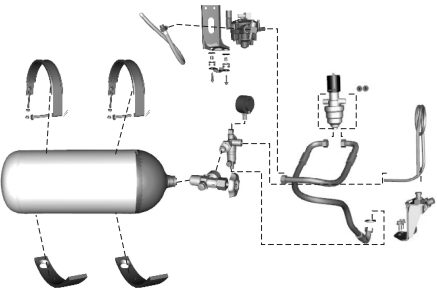


PLATE NO. : 77  
TAIL LAMP

PAGE NO.:  
104

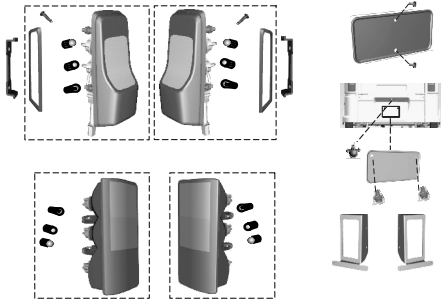


PLATE NO. : 79  
ELECTRICAL UNITS

PAGE NO.:  
106

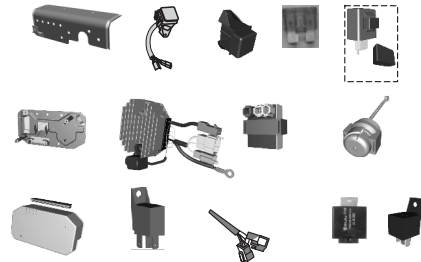
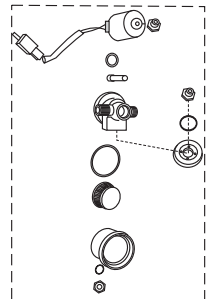


PLATE NO. : 81  
RELAY & SOLENOID

PAGE NO.:  
109



Pictorial Index

RE 4S - BS4 

PLATE NO. :82  
FILLER CONNECTOR UNIT

PAGE NO.:  
110

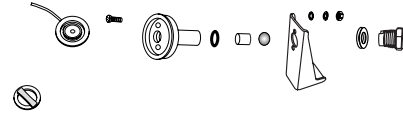


PLATE NO. : 84  
REGULATOR

PAGE NO.:  
113,114

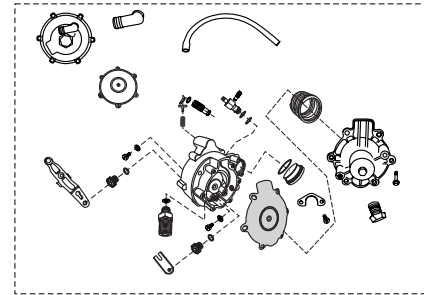


PLATE NO. : 83  
1 ST STAGE REDUCTION UNIT

PAGE NO.:  
111,112

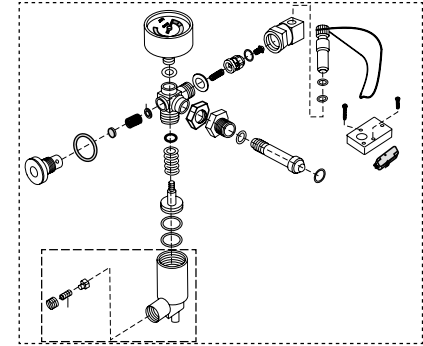
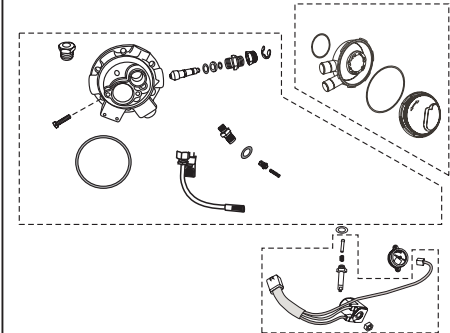


PLATE NO. : 85  
MULTI VALVE(ZERO DEG)

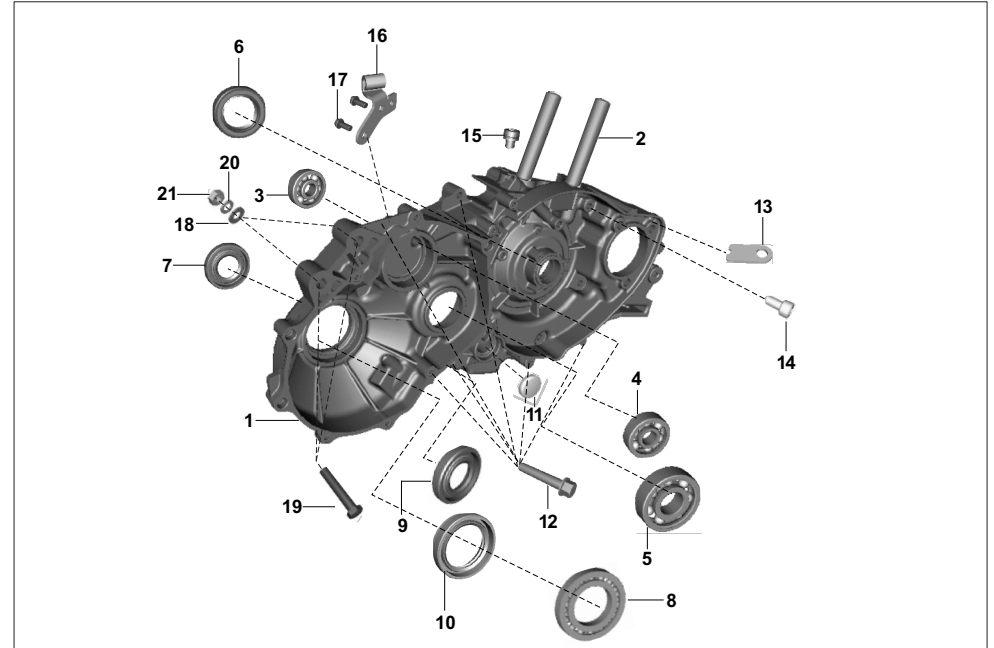
PAGE NO.:  
115





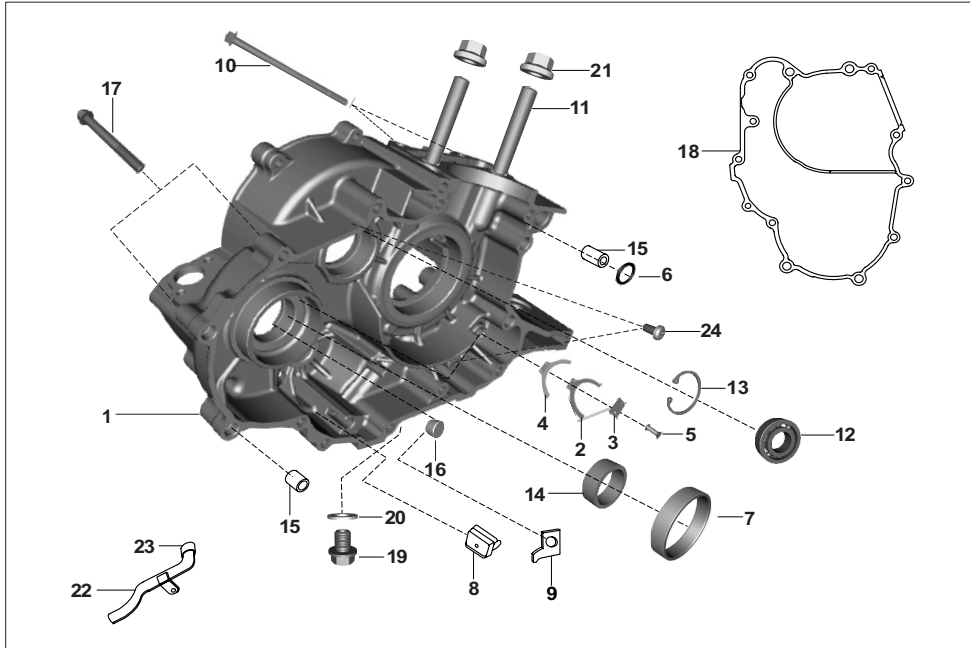
No.	Part No.	Description	COMPACT			COMPACT+			CARGO	Remarks
			AA	AF	AM	AZ	RA	AN		
1	AA102077	Engine assy	1	-	-	-	-	-		
2	AF101088	Engine assy.	-	1	-	-	-	-		
3	AM101048	Engine assy.	-	-	1	-	-	-		
4	AZ501006	Engine assy.	-	-	-	1	-	-		
5	RA501005	Engine assy.	-	-	-	-	1	-		
6	AN101450	Engine assy.	-	-	-	-	-	1		
7	36AA4041	Kit_oil seal 4S engine	1	1	1	1	1	1	Kit-91	
8	36AA4036	Kit gasket_4S engine	1	1	1	1	1	1	Kit-7	

AA - Compact PET  
AF - Compact CNG  
AM - Compact LPG



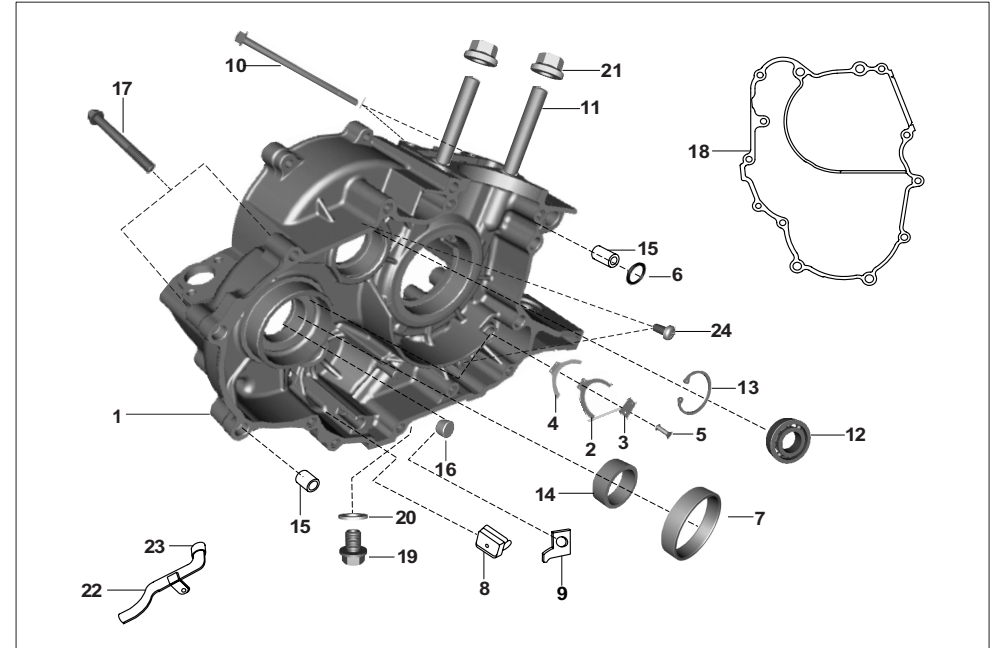
No.	Part No.	Description	COMPACT			COMPACT+			CARGO	Remarks
			AA	AF	AM	AZ	RA	AN		
1	AA101735	Crankcase magneto side	1	1	1	1	1	1	NS	
1	AU541007	Crankcase magneto side	1	1	1	1	1	1	fr.09.12.17 alt	
2	59050002	Stud m10 ( bolt stud cylinder)	2	2	2	2	2	2		
3	30151059	Bearing - ball c'case magn.side	1	1	1	1	1	1		
4	39186420	Bearing - ball :- 20 x 52 x 15	1	1	1	1	1	1		
5	39256120	Bearing - ball 6305	1	1	1	1	1	1		
6	AA101950	Seal Oil	1	1	1	1	1	1		
7	39171619	Oil seal (Main Shaft)	1	1	1	1	1	1		
8	24130105	Ball bearing (Differential)	1	1	1	1	1	1		
9	39191719	Oil seal-Sector gear	1	1	1	-	-	-	For starting handle	
9	39171619	Oil seal	-	-	-	1	1	1		
10	BF551613	Oil seal(Differential)	1	1	1	1	1	1		
11	AN101062	Cap Sealing C.case Magn Side	-	-	-	1	1	1		
12	39107504	Flanged bolt	6	6	6	6	6	6		
13	AN101352	Plate for cable holding	1	1	1	1	1	1	NS	
13	AU541012	Bracket-magnto hrnss-crankcase	1	1	1	1	1	1	fr.09.12.17 alt	
14	LAC00029	Bolt Socket Head	1	1	1	1	1	1		
15	AN101238	Bolt restrictor	1	1	1	1	1	1		
16	AA102031	Bracket holding - reverse cable	1	1	1	1	1	1		
17	KAED0614	Bolt	2	2	2	2	2	2		
18	39024811	Washer - plain	2	2	2	2	2	2		
19	39008304	Bolt hex head M10	2	2	2	2	2	2		
20	39182912	Spring washer	2	2	2	2	2	2		
21	39029615	Hexagon nut-M10	2	2	2	2	2	2		

AZ - Compact+ CNG  
RA - Compact+ LPG  
AN - Cargo CNG



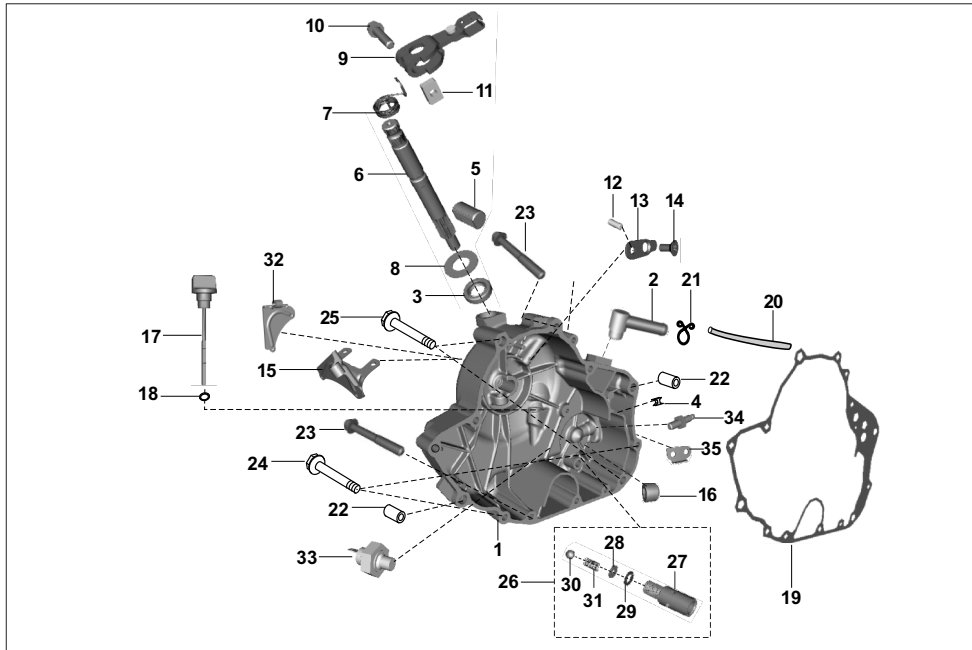
No.	Part No.	Description	COMPACT			COMPACT+		CARGO	Remarks
			AA	AF	AM	AZ	RA	AN	
1	AN101127	Crank case clutch side	1	1	1	1	1	1	
2	AA101123	Spring plate upper	1	1	1	-	-	-	
3	AA101249	Spacer pad - hand start	1	1	1	-	-	-	
4	AA101124	Spring plate lower	1	1	1	-	-	-	
5	39050809	Rivet	2	2	2	-	-	-	
6	39101321	'O' ring	1	1	1	-	-	-	
7	AA101145	Bushstarter gear	1	1	1	-	-	-	
8	AA101143	Rubber pad	1	1	1	-	-	-	
9	AB101014	Guide starter gear	1	1	1	-	-	-	
10	LAD00062	Bolt flanged M6X1X105L	2	2	2	2	2	2	
11	59050002	Stud	2	2	2	2	2	2	
12	39121420	Ball bearing	1	1	1	1	1	1	
13	21170419	Circlip	1	1	1	1	1	1	
14	03100335	Needle roller bearing	1	1	1	1	1	1	
15	39100006	Hollow dowel pin	2	2	2	2	2	2	
16	DP101154	Plug	1	1	1	1	1	1	
17	39167604	Bolt flanged small	2	2	2	2	2	2	
18	AN101129	Gasket (Crankcase)	1	1	1	1	1	1	
19	DH101661	Drain plug	1	1	1	1	1	1	

AA - Compact PET  
AF - Compact CNG  
AM - Compact LPG



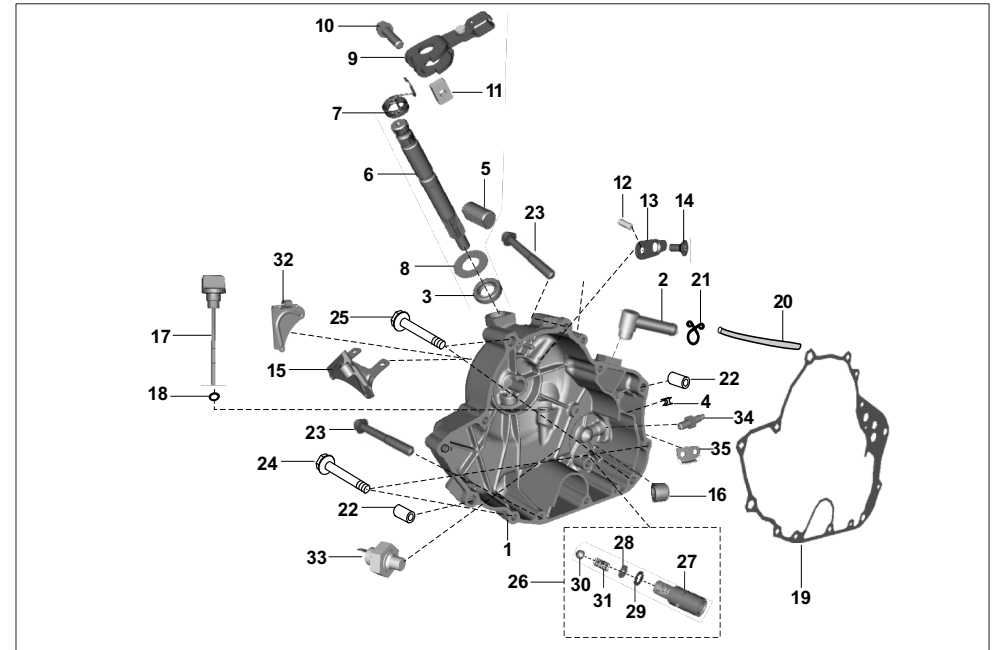
No.	Part No.	Description	COMPACT			COMPACT+		CARGO	Remarks
			AA	AF	AM	AZ	RA	AN	
20	31101106	Gasket (stopper roc.arm)	1	1	1	1	1	1	
21	39105515	Hex nut flange M10	2	2	2	2	2	2	
22	AA101221	Tube assembly	1	1	1	1	1	1	
23	28101080	Bush - rubber	1	1	1	1	1	1	
24	39074601	Screw pan cross-M6	2	2	2	2	2	2	

AZ - Compact+ CNG  
RA - Compact+ LPG  
AN - Cargo CNG



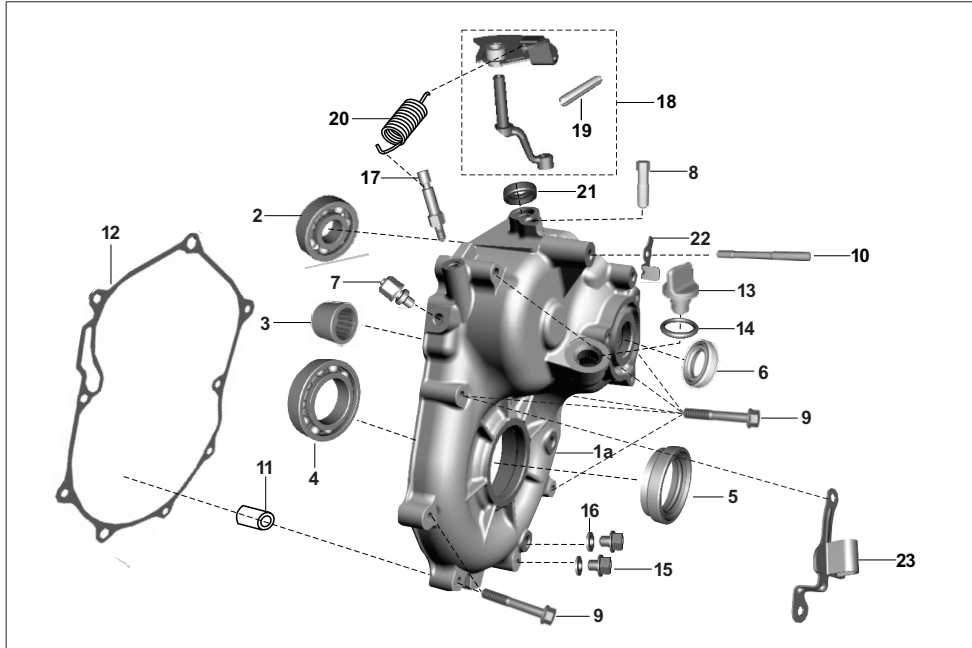
No.	Part No.	Description	COMPACT			COMPACT+		CARGO	Remarks
			AA	AF	AM	AZ	RA		
1	AA102000	Cover clutch-with PS hole	1	-	-	-	-	-	
1	AF101087	Cover clutch-w/o PS hole	-	1	1	1	1	1	
2	AN101420	Pipe - breather	1	1	1	1	1	1	
3	39104119	Seal oil- Clutch cover	1	1	1	1	1	1	
4	AB101038	Grommet breather	1	1	1	1	1	1	
5	DH101141	Rack clutch push	1	1	1	1	1	1	
6	AN101375	Shaft clutch release	1	1	1	1	1	1	
7	AN101376	Spring torsion clutch lever	1	1	1	1	1	1	
8	39244311	Washer - Plain	1	1	1	1	1	1	
9	DH101180	Lever assembly	1	1	1	1	1	1	
10	39167404	Bolt - flange :- M6 X 25	1	1	1	1	1	1	
11	DH101275	Nut - special	1	1	1	1	1	1	
12	AP101149	Pin shaft retainer	1	1	1	1	1	1	
13	AN101189	Plate stopper, clutch cover	1	1	1	1	1	1	
14	LBC00004	Screw csk cross-m6	1	1	1	1	1	1	
15	AN101391	Assembly bkt-cl cable & ht coil	-	-	-	1	1	1	
16	BA102004	Plug	-	1	1	1	1	1	
17	AA101667	Stick dip - clutch cover	1	1	1	1	1	1	
18	39153721	O Ring	1	1	1	1	1	1	
19	AN101186	Gasket, clutch cover	1	1	1	1	1	1	

AA - Compact PET  
AF - Compact CNG  
AM - Compact LPG



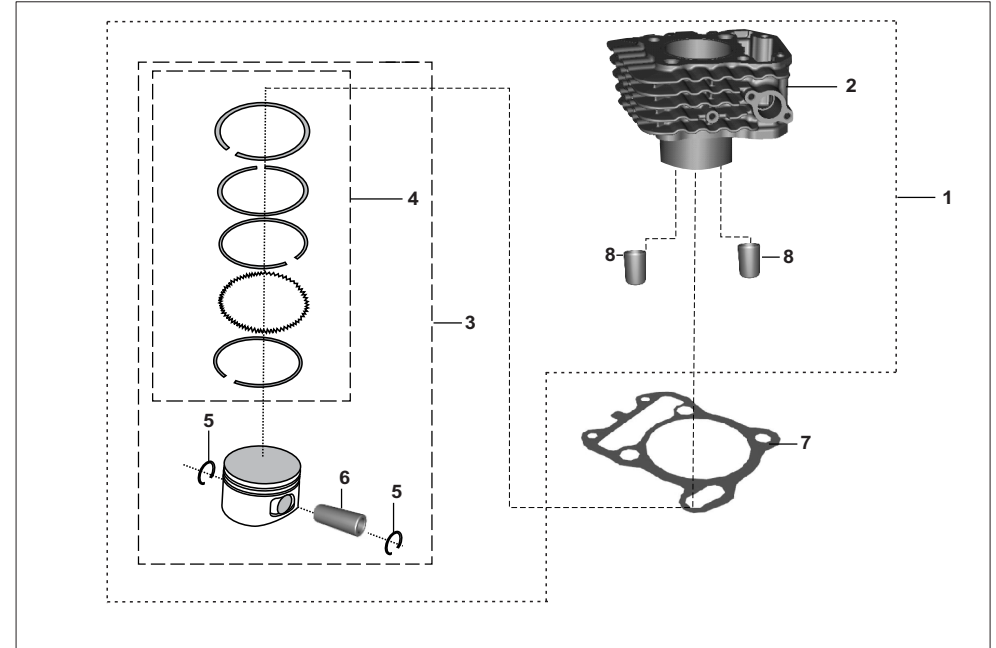
No.	Part No.	Description	COMPACT			COMPACT+		CARGO	Remarks
			AA	AF	AM	AZ	RA		
20	AZ581047	Tube breather	-	-	-	1	1	-	
20	AF101035	Tube breather	1	1	1	-	-	1	
21	24121476	Clip	1	1	1	1	1	1	
22	39100006	Hollow dowel pin	2	2	2	2	2	2	
23	39106504	Bolt flanged - M6x40	5	5	5	5	5	5	
24	39196304	Bolt	4	4	4	4	4	4	
25	39172104	Bolt	3	3	3	3	3	3	
26	AA101883	Pressure relief valve assly	1	1	1	1	1	1	
27	AA101884	Valve pressure relief	1	1	1	1	1	1	
28	DK101472	Washer pressure relief valve	1	1	1	1	1	1	
29	39254717	Internal circlip	1	1	1	1	1	1	
30	30101236	Ball steel	1	1	1	1	1	1	
31	Dk101449	Spring PRV	1	1	1	1	1	1	
32	AA101939	Bracket cable clutch	1	1	1	-	-	-	
33	AA201325	Switch oil pressure petrol	1	-	-	-	-	-	
34	AA101826	Connector -oil supply	1	1	1	1	1	1	
35	AA102055	Bracket -cable oil pr. switch	1	-	-	-	-	1	

AZ - Compact+ CNG  
RA - Compact+ LPG  
AN - Cargo CNG



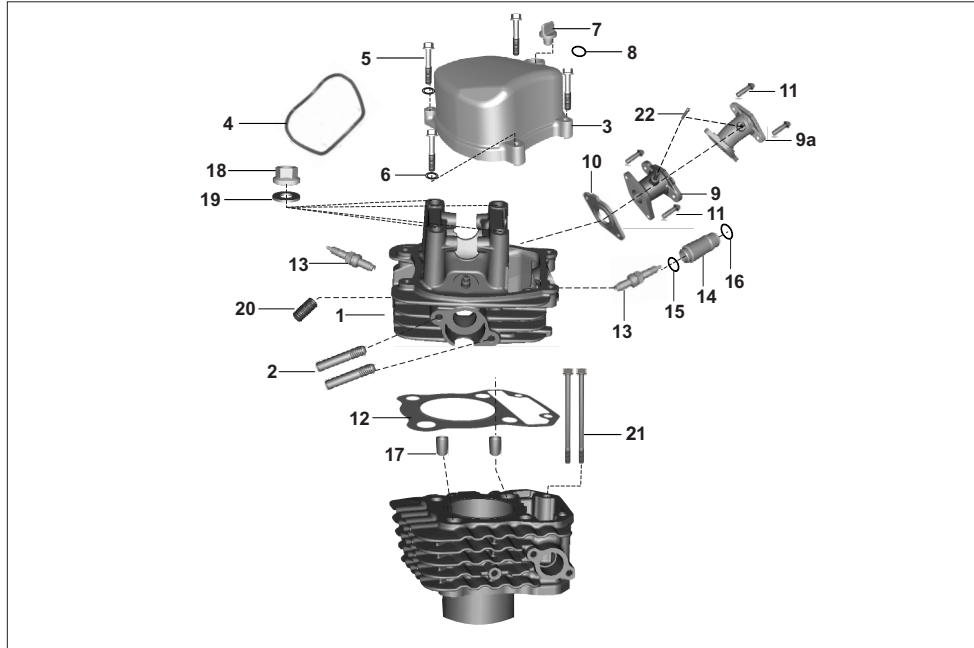
No.	Part No.	Description	COMPACT			COMPACT+		CARGO	Remarks
			AA	AF	AM	AZ	RA	AN	
1	AA102026	Differential cover	1	1	1	1	1	1	
2	30151039	Bearing ball	1	1	1	1	1	1	
3	39143520	Needle roller bearing	1	1	1	1	1	1	
4	KPBB6007	Ball bearing	1	1	1	1	1	1	
5	BF551613	Oil seal	1	1	1	1	1	1	
6	39186919	Oil seal	1	1	1	1	1	1	
7	24101069	Breather assly	1	1	1	1	1	1	
8	LAA00022	Bolt in place of spring dowel	1	1	1	1	1	1	
9	LAD00035	Bolt flanged	7	7	7	7	7	7	alt-39106504
10	LAJ00001	Bolt stud	1	1	1	1	1	1	
11	39100006	Hollow dowel pin	2	2	2	2	2	2	
12	AN101312	Gasket - differential cover	1	1	1	1	1	1	
13	AN131007	Oil plug	1	1	1	1	1	1	
14	39153721	'O' ring	1	1	1	1	1	1	
15	35101060	Oil plug	2	2	2	2	2	2	
16	39158511	Washer oil plug	2	2	2	2	2	2	
17	AA101212	Pin for tension spring	1	1	1	1	1	1	
18	AA102018	Assly sector comp rev control	1	1	1	1	1	1	
19	39042606	Spring type straight pin	1	1	1	1	1	1	
20	AN131022	Tension spring	1	1	1	1	1	1	
21	39104619	Oil seal	1	1	1	1	1	1	
22	AA101823	Bracket cable arrester	1	1	1	1	1	1	
23	AN101440	Clip carb pipe routing	-	-	-	-	-	1	

AA - Compact PET  
AF - Compact CNG  
AM - Compact LPG



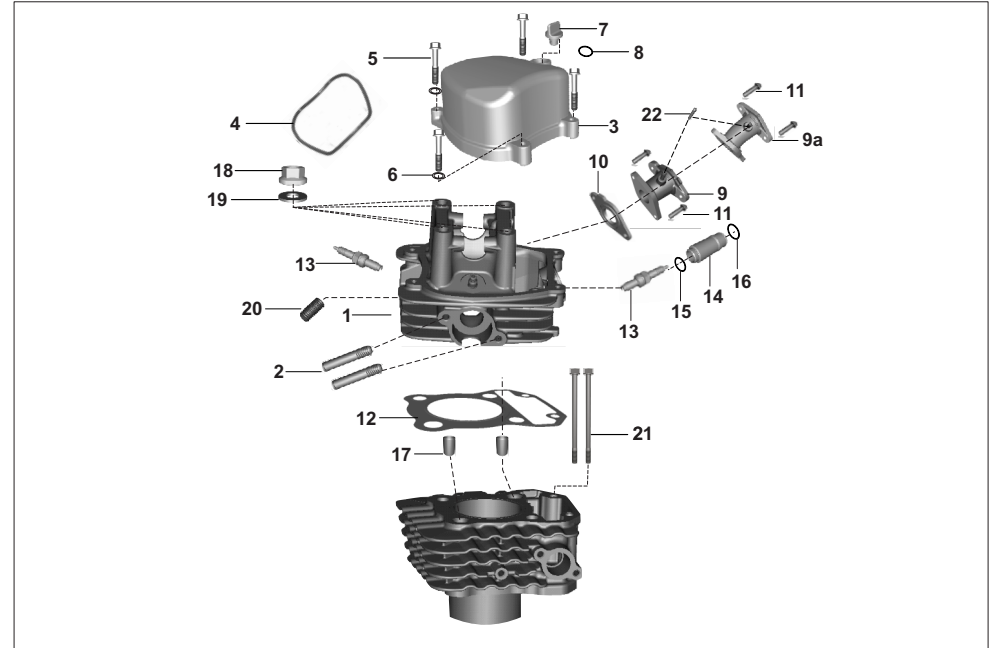
No.	Part No.	Description	COMPACT			COMPACT+		CARGO	Remarks
			AA	AF	AM	AZ	RA	AN	
1	36AA4105	Cylinder block piston assly	1	-	1	-	1	-	1Kit-65
1	36AN0032	Cylinder block piston assly	-	1	-	1	-	1	Kit-11
2	AN101133	Cylinder block complete	1	1	1	1	1	1	NS
3	AA101865	Assembly piston LPG	1	-	1	-	1	-	
3	AF101058	Assembly piston CNG	-	1	-	1	-	1	
4	36AN0016	Kit ring piston	1	-	1	-	1	-	
4	36AN0033	Kit ring piston	-	1	-	1	-	1	
5	AA102087	Wire circlip 19.2X1.2 wire dia	2	-	2	-	2	-	
5	JU521212	Wire circlip	-	2	-	2	-	2	
6	EE521220	Pin piston	1	-	1	-	1	-	
6	DJ101017	Pin piston	-	1	-	1	-	1	
7	AN101135	Gasket cylinder	1	1	1	1	1	1	
8	39218106	Pin - hollow dowel :- 14 X 20	2	2	2	2	2	2	

AZ - Compact+ CNG  
RA - Compact+ LPG  
AN - Cargo CNG



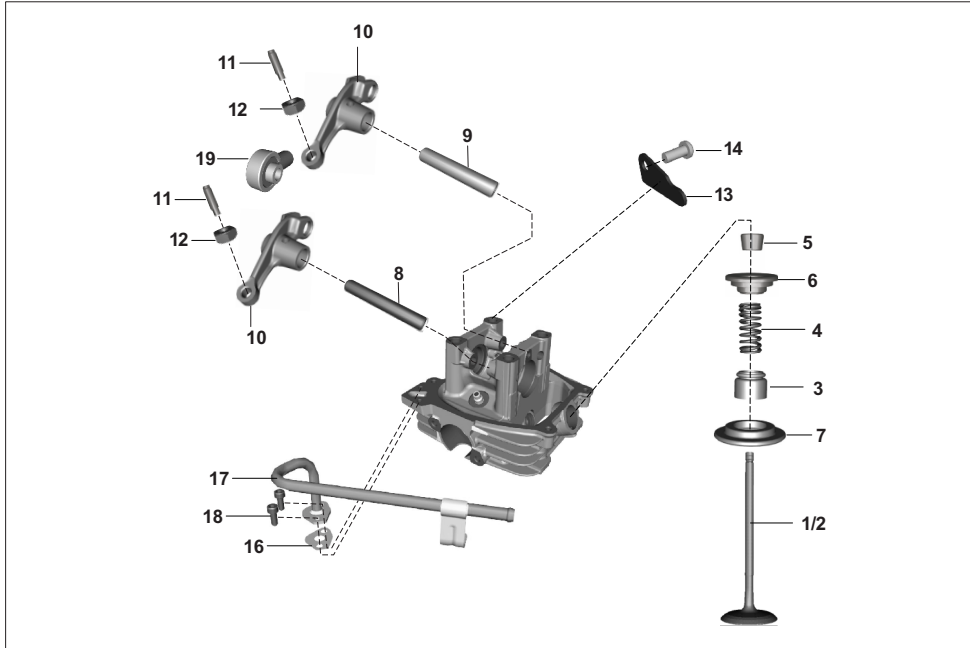
No.	Part No.	Description	COMPACT			COMPACT+		CARGO	Remarks
			AA	AF	AM	AZ	RA	AN	
1	AA101857	Cylinder head complete	1	1	1	1	1	1	
2	DP101145	Stud - M8 SIL MTG	2	2	2	2	2	2	
3	AN101177	Head cover	1	1	1	1	1	1	
4	AA101844	Seal head cover	1	1	1	1	1	1	
5	59040038	Bolt - flanged	4	4	4	4	4	4	
6	39130911	Plain washer	-	-	-	2	2	2	
7	AN131007	Cap - oil filling	1	1	1	1	1	1	
8	39153721	Ring - O	1	1	1	1	1	1	
9	AA121242	Assembly intake manifold with sai	1	1	1	-	-	-	
9a	AZ581409	Assembly manifold with nipple	-	-	-	1	1	1	
10	AA101838	Gasket- manifold	1	1	1	1	1	1	
11	KAED0622	Bolt - flanged :- manifold	2	2	2	2	2	2	
12	AN101149	Gasket head	1	1	1	1	1	1	
13	AA111154	Plug spark solid post-bosh	2	2	2	2	2	2	Alt-AA111153(FMG)
14	AN101181	Sleeve spark plug	1	1	1	1	1	1	
15	39262921	O ring spark plug	1	1	1	1	1	1	
16	39128321	O ring spark plug	1	1	1	1	1	1	
17	39218106	Hollow dowel pin	2	2	2	2	2	2	
18	39105515	Hex nut(cylinder head nut)	4	4	4	4	4	4	
19	39024811	Washer - plain	4	4	4	4	4	4	
20	39260801	Screw - grub :- M5 X 0.8 X 7	1	1	1	1	1	1	

AA - Compact PET  
AF - Compact CNG  
AM - Compact LPG



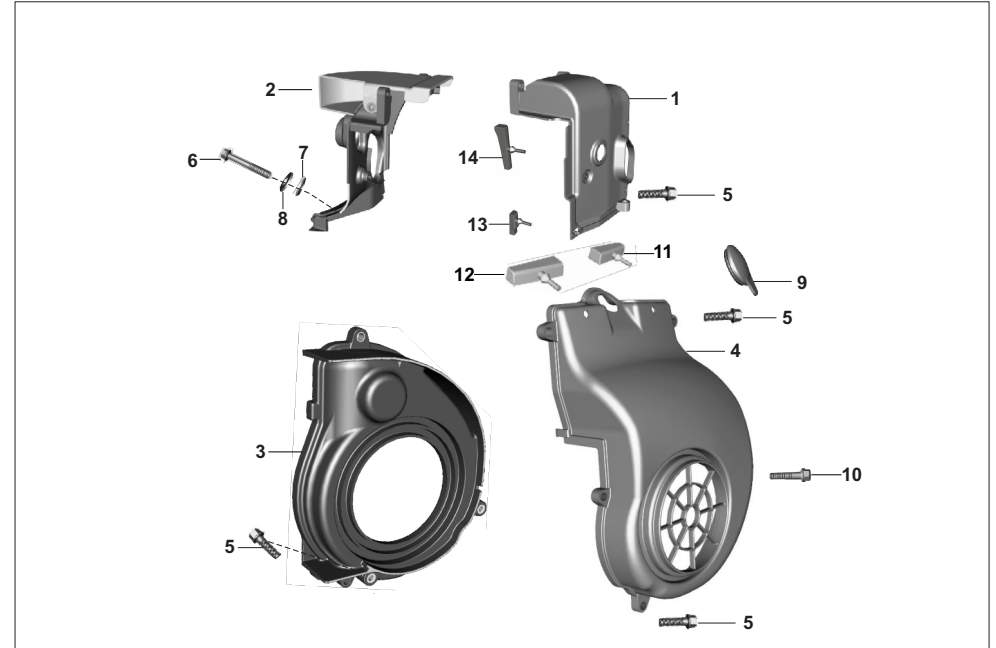
No.	Part No.	Description	COMPACT			COMPACT+		CARGO	Remarks
			AA	AF	AM	AZ	RA	AN	
21	LAD00062	Bolt flanged	2	2	2	2	2	2	
22	JE581416	Nipple connector manifold SAI	1	1	1	1	1	1	

AZ - Compact+ CNG  
RA - Compact+ LPG  
AN - Cargo CNG



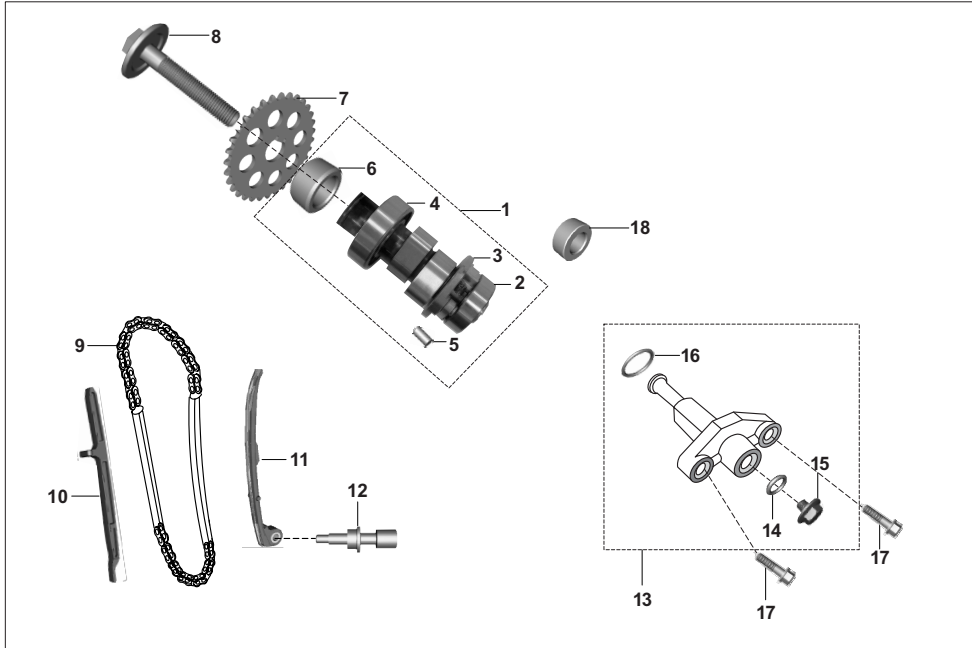
No.	Part No.	Description	COMPACT			COMPACT+		CARGO	Remarks
			AA	AF	AM	AZ	RA	AN	
1	AA101859	Valve intake	1	1	1	1	1	1	
2	AA101860	Valve exhaust	1	1	1	1	1	1	
3	39103519	Seal - oil	2	2	2	2	2	2	
4	AA101875	Spring for engine valve	2	2	2	2	2	2	
5	31101019	Collet	4	4	4	4	4	4	
6	31101018	Retainer valve spring	2	2	2	2	2	2	
7	28101129	Seat spring	2	2	2	2	2	2	
8	JL511205	Shaft rocker arm intake	1	1	1	1	1	1	
9	DK101751	Shaft rocker arm exhaust	1	1	1	1	1	1	
10	JH511207	Assly rocker arm C101	2	2	2	2	2	2	
11	JL511227	Screw tappet	1	1	1	1	1	1	
12	39097315	Nut - hexagon :- M5 X 0.5	2	2	2	2	2	2	
13	AN101147	Plate stopper	1	1	1	1	1	1	
14	DX101074	Screw pan cross M6	1	1	1	1	1	1	
15	36AA4106	Kit_ valve 4S BSIV	1	1	1	1	1	1	
16	AA102082	Gasket	1	1	1	1	1	1	
17	AA102079	Tube assly sai with flange	1	1	1	1	1	1	
18	KACA0614	Bolt master kac	2	2	2	2	2	2	
19	DU101068	Roller assy.	1	1	1	1	1	1	

AA - Compact PET  
AF - Compact CNG  
AM - Compact LPG



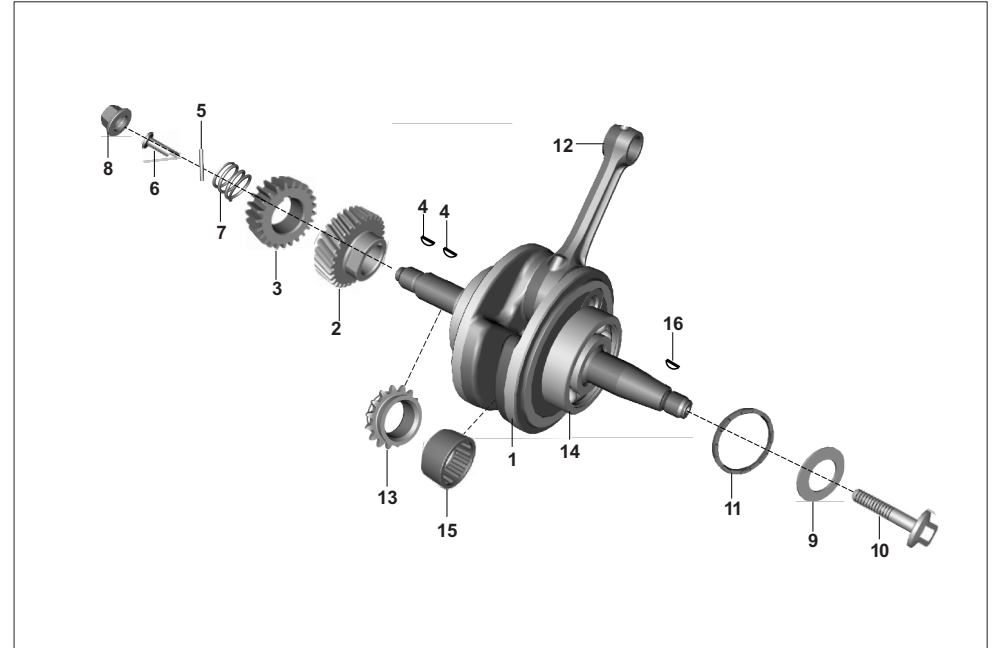
No.	Part No.	Description	COMPACT			COMPACT+		CARGO	Remarks
			AA	AF	AM	AZ	RA	AN	
1	AN101162	Cowling Intake Side	1	1	1	1	1	1	
2	AA102075	Assly hot air deflector	1	1	1	1	1	1	
3	AN101203	Internal cowling comp	1	1	1	1	1	1	
4	AA101970	Assly fan cover	1	1	1	1	1	1	
5	39167304	Flange Bolt -m6	10	10	10	10	10	10	
6	39106504	Bolt - flanged :- small	3	3	3	3	3	3	
7	39073212	Washer - spring	3	3	3	3	3	3	
8	39019811	Washer plain	3	3	3	3	3	3	
9	GF101139	Grommet	1	1	1	1	1	1	
10	39107404	Bolt - flanged :- small	1	1	1	1	1	1	
11	AA101869	Pad sealing-fan cover(right)	1	1	1	1	1	1	
12	AA101885	Pad sealing - fan cover(left)	1	1	1	1	1	1	
13	AA101870	Pad sealing 1-cowling intake	1	1	1	1	1	1	
14	AA101871	Pad sealing 2-cowling intake	1	1	1	1	1	1	

AZ - Compact+ CNG  
RA - Compact+ LPG  
AN - Cargo CNG



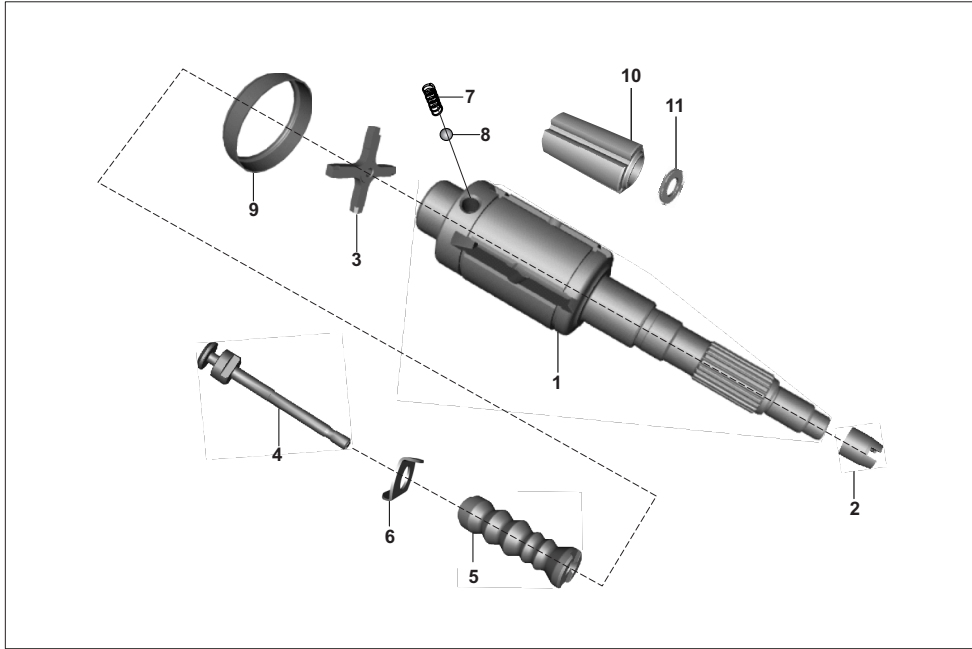
No.	Part No.	Description	COMPACT			COMPACT+		CARGO	Remarks
			AA	AF	AM	AZ	RA		
1	AA101864	Assly camshaft	1	1	1	1	1	1	NS Fr. 28.11.17 alt
2	39188020	Bearing - Ball :- 15 X 32 X 9	1	1	1	1	1	1	
3	AN101323	Decomp. Assembly	1	1	1	1	1	1	
4	39254220	Bearing - Ball	1	1	1	1	1	1	
4	JC101086	Bearing - Ball	1	1	1	1	1	1	
5	KHDA0306	Pin dowel	1	1	1	1	1	1	
5	AA101814	Collar - cam sprocket	1	1	1	1	1	1	
7	DS101276	Sprocket - cam driven	1	1	1	1	1	1	
8	AN101182	Bolt socket head	1	1	1	1	1	1	
9	DK101064	Timing chain	1	1	1	1	1	1	
10	AN101166	Guide chain	1	1	1	1	1	1	
11	AN101257	Guide chain (tensioner Side)	1	1	1	1	1	1	
12	AN101250	Pin guide chain	1	1	1	1	1	1	
13	DS101277	Tensioner assly with O ring	1	1	1	1	1	1	
14	39179021	'O' ring	1	1	1	1	1	1	
15	DD101062	Bolt flange M6X1-L10	1	1	1	1	1	1	
16	39101421	Ring - O	1	1	1	1	1	1	
17	39167404	Flange bolt	2	2	2	1	1	1	
18	AA102094	Chain timing-205fl-rl	1	1	1	1	1	1	

AA - Compact PET  
AF - Compact CNG  
AM - Compact LPG



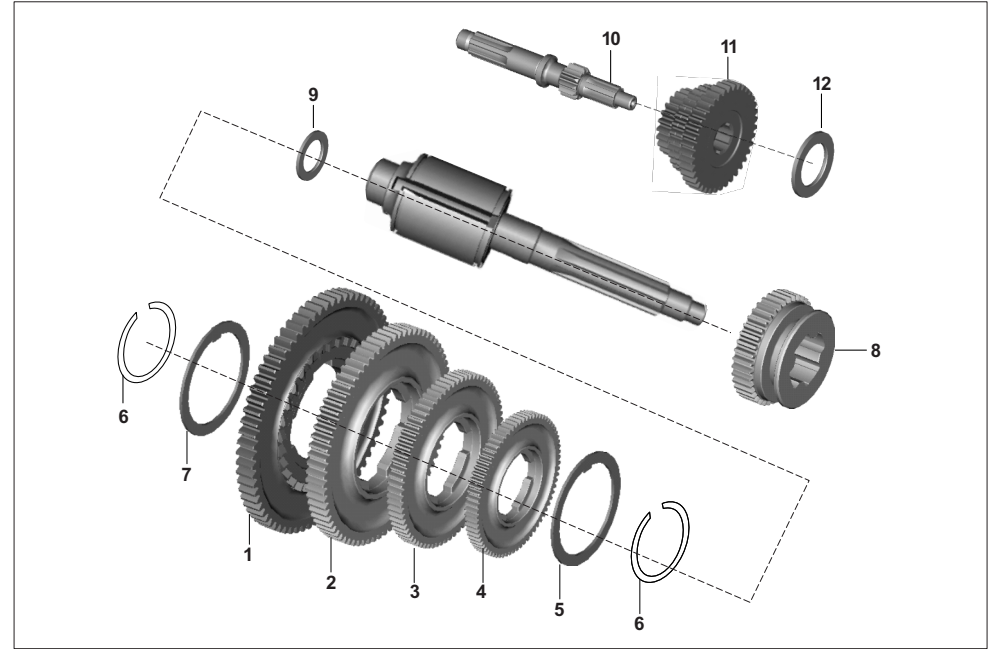
No.	Part No.	Description	COMPACT			COMPACT+		CARGO	Remarks
			AA	AF	AM	AZ	RA		
1	AA101949	Assly crankshaft	1	1	1	1	1	1	Kit-57
2	AN101341	Pinion primary	1	1	1	-	-	-	
2	AN101390	Pinion primary	-	-	-	1	1	1	
3	AA101424	Oil pump drive gear	1	1	1	1	1	1	
4	31101173	Key woodruff	2	2	2	2	2	2	
5	39192707	Roller pin	1	1	1	1	1	1	
6	AA101138	Plunger oil	1	1	1	1	1	1	
7	AA101139	Spring plunger	1	1	1	1	1	1	
8	39188515	Nut	1	1	1	1	1	1	
9	LDB00047	Washer plain	1	1	1	1	1	1	
10	LAD00124	Bolt flange	1	1	1	1	1	1	
11	DK101097	Damper spring	1	1	1	1	1	1	
12	36AA4032	Con rod kit	1	1	1	1	1	1	
13	AN101155	Sprocket - crankshaft	1	1	1	1	1	1	
14	39193120	Bearing - Ball :- 28 X 68 X 18	2	2	2	2	2	2	
15	39215320	Needle roller bearing	1	1	1	1	1	1	
16	AP101257	Key woodruff - c'shaft mag side	1	1	1	1	1	1	

AZ - Compact+ CNG  
RA - Compact+ LPG  
AN - Cargo CNG



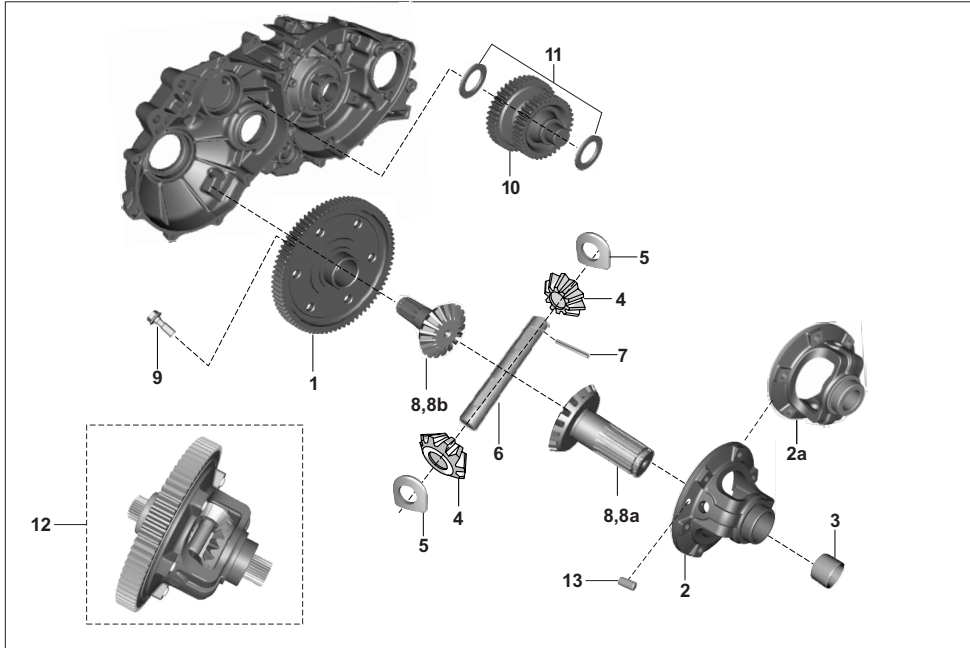
No.	Part No.	Description	COMPACT			COMPACT+		CARGO	Remarks
			AA	AF	AM	AZ	RA	AN	
1	AN101197	Main shaft	1	1	1	1	1	1	
2	AA101295	Drive bush	1	1	1	1	1	1	
3	AB101067	Cross	1	1	1	1	1	1	
4	AA101868	Guide stem	1	1	1	1	1	1	
5	AA101108	Gear selector	1	1	1	1	1	1	
6	BA132045	Plain washer	1	1	1	1	1	1	
7	28101038	Spring	2	2	2	2	2	2	
8	01180123	Steel ball	2	2	2	2	2	2	
9	AA101061	Cup gear shifter	1	1	1	1	1	1	
10	AN101198	Sleeve, main shaft	1	1	1	1	1	1	
11	AN101200	Spacer, sleeve	1	1	1	1	1	1	

AA - Compact PET  
AF - Compact CNG  
AM - Compact LPG



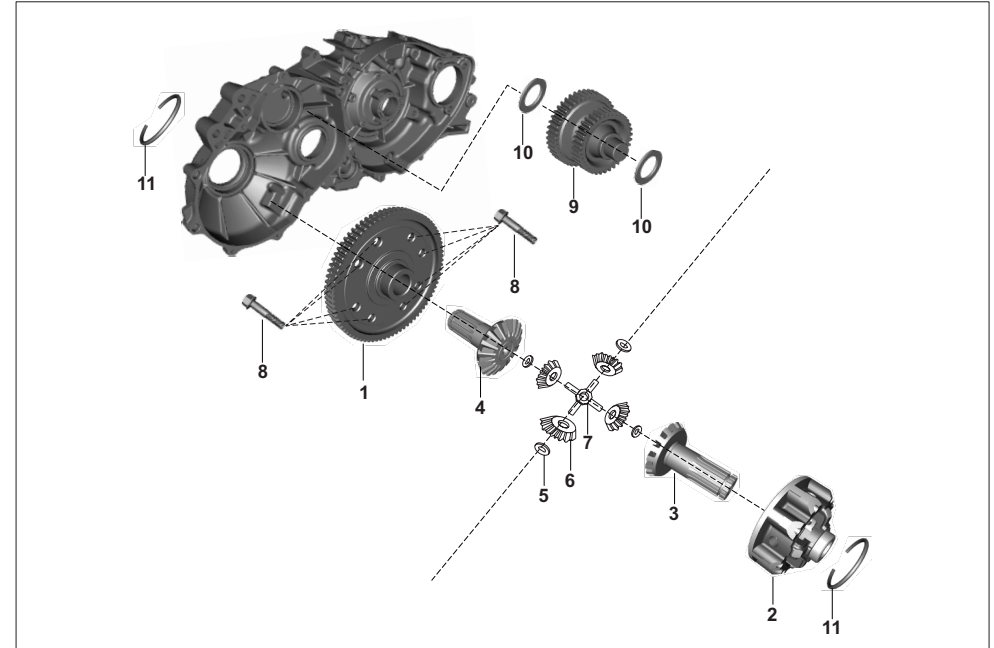
No.	Part No.	Description	COMPACT			COMPACT+		CARGO	Remarks
			AA	AF	AM	AZ	RA	AN	
1	AN101379	1st speed gear	1	1	1	1	1	1	
2	AA101780	2nd speed gear	1	1	1	1	1	1	
3	AA101781	3rd speed gear	1	1	1	1	1	1	
4	AA101782	4th speed gear	1	1	1	1	1	1	
5	15101171	Spacer ring	1	1	1	1	1	1	
6	21100711	Circlip	2	2	2	2	2	2	
7	01100711	Shoulder ring No. 1	1	1	1	1	1	1	
7	01100712	Shoulder ring No. 2	1	1	1	1	1	1	
7	01100713	Shoulder ring No. 3	1	1	1	1	1	1	
7	01100714	Shoulder ring No. 4	1	1	1	1	1	1	
8	AN101328	Reverse control gear	1	1	1	1	1	-	
8	AN101201	Reverse control gear	-	-	-	-	-	1	
9	AA101055	Thrust washer	1	1	1	1	1	1	
10	AN101339	Multiple gear shaft	1	1	1	1	1	1	
11	AA101779	Multiple gear	1	1	1	1	1	1	
12	AN101347	Thrust washer (M.G. Shaft)	1	1	1	1	1	1	

AZ - Compact+ CNG  
RA - Compact+ LPG  
AN - Cargo CNG



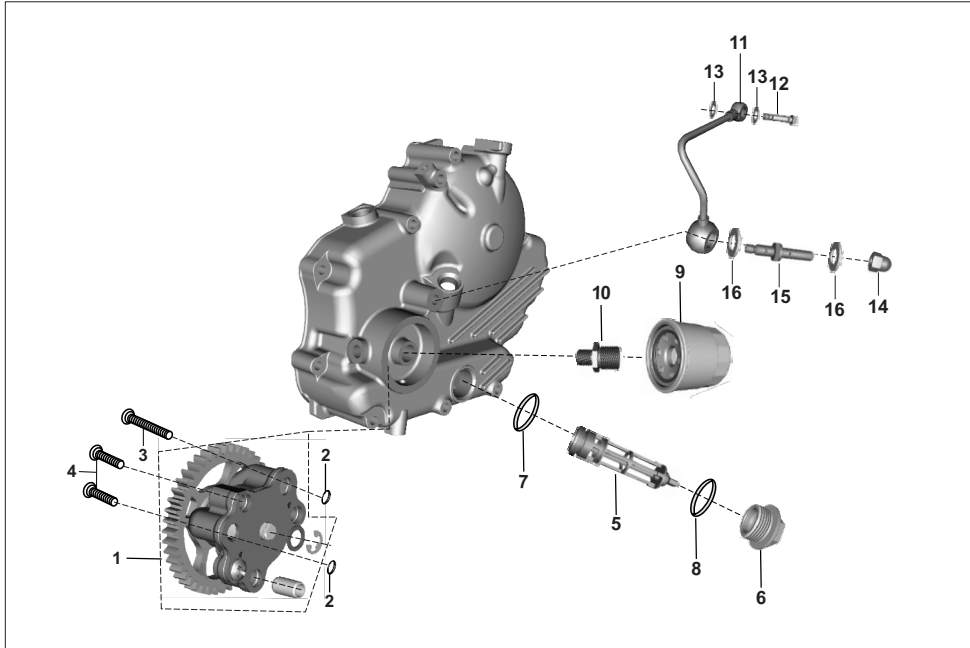
No.	Part No.	Description	COMPACT			COMPACT+		CARGO	Remarks
			AA	AF	AM	AZ	RA	AN	
1	AN101336	Differential gear	1	1	1	-	-	-	
1	AN101354	Differential gear	-	-	-	1	1	-	
2	AA131033	Satellite gear hsg. assly	1	1	1	-	-	-	
2a	AN101355	Satellite gear hsg. assly	-	-	-	1	1	-	
3	24130111	Bush bevel gear housing	1	1	1	-	-	-	
4	22131018	Satellite gear	2	2	2	2	2	-	
5	22131014	Spacer	2	2	2	2	2	-	
6	24131032	Bevel gear pin	1	1	1	1	1	-	
7	24130113	Pin	1	1	1	1	1	-	
8	24131009	Bevel gear	2	2	2	-	-	-	
8a	AZ551200	Gear bevel sg. Hsg. Side	-	-	-	1	1	-	
8b	AZ551201	Gear bevel diff. Gear side	-	-	-	1	1	-	
9	LAD00180	Bolt flange	6	6	6	6	6	-	
10	AN101338	Idler gear	1	1	1	1	1	-	
11	AA101058	Thrust washer (Idler gear)	2	2	2	2	2	-	
12	AN101337	Assembly differential gear	1	1	1	-	-	-	
12	AN101356	Assembly differential gear	-	-	-	1	1	-	
13	LHD00005	Pin dowel-dia. 8XL 16	1	1	1	1	1	-	

AA - Compact PET  
AF - Compact CNG  
AM - Compact LPG



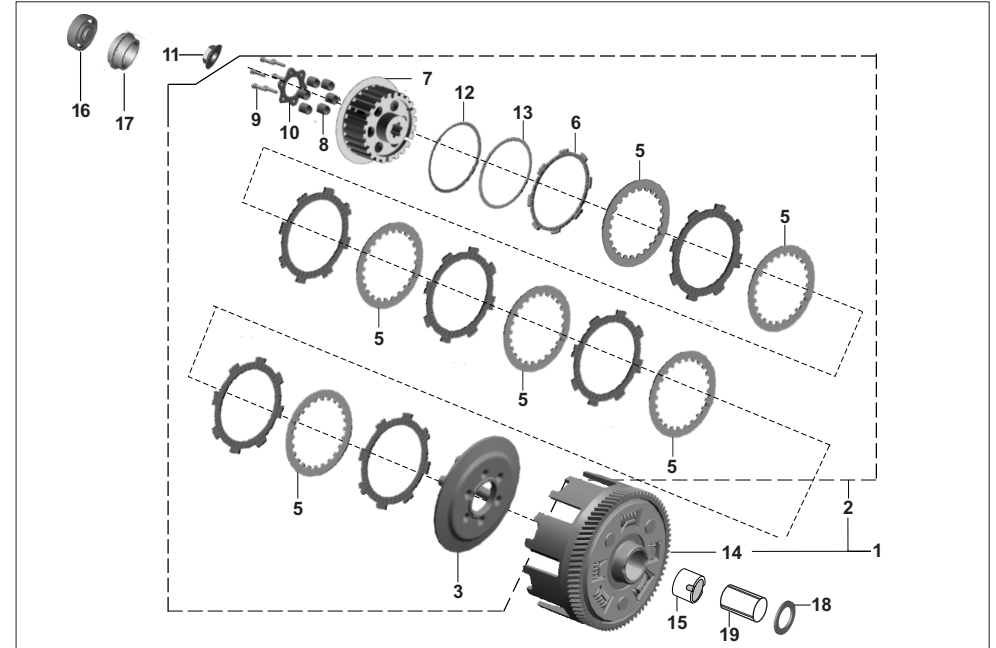
No.	Part No.	Description	COMPACT			COMPACT+		CARGO	Remarks
			AA	AF	AM	AZ	RA	AN	
1	AN101404	Assembly differential gear	-	-	-	-	-	1	
1	AN101405	Gear differential	-	-	-	-	-	1	
2	AN101406	Housing assy-satellite gear	-	-	-	-	-	1	
3	AN101434	Gear bevel sg. Hsg. Side	-	-	-	-	-	1	
4	AN101435	Gear bevel diff. Gear side	-	-	-	-	-	1	
5	22131014	Spacer	-	-	-	-	-	4	
6	AL131058	Gear - satellite	-	-	-	-	-	4	
7	AL131055	Cross - differential	-	-	-	-	-	1	
8	AN131018	Bolt differential pre-coating	-	-	-	-	-	8	
9	AN101346	Idler gear	-	-	-	-	-	1	
10	AA101058	Thrust Washer idler gear	-	-	-	-	-	2	
11	BH551800	Clip lock drive shaft	-	-	-	-	-	2	

AZ - Compact+ CNG  
RA - Compact+ LPG  
AN - Cargo CNG



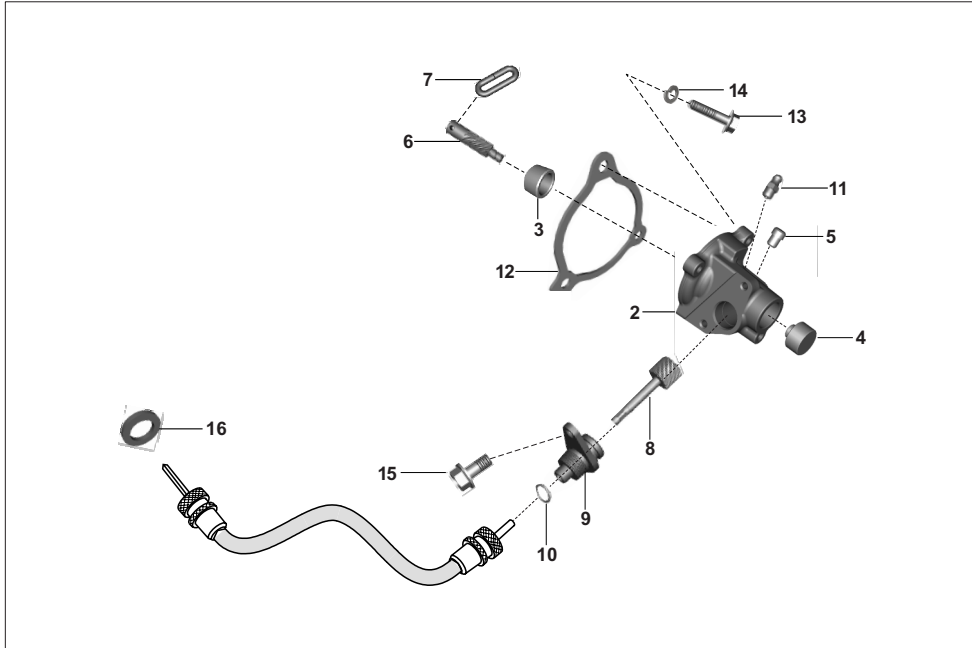
No.	Part No.	Description	COMPACT			COMPACT+		CARGO	Remarks
			AA	AF	AM	AZ	RA	AN	
1	AA121060	Pump assly oil	1	1	1	1	1	1	
2	39101321	'O' ring	2	2	2	2	2	2	
3	39073001	Screw pan	1	1	1	1	1	1	
4	39074801	Screw pan	2	2	2	2	2	2	
5	JA541019	Mesh filter oil pump	1	1	1	1	1	1	
6	28101022	Cap - strainer	1	1	1	1	1	1	
7	JA541020	O-ring mesh filter oil pump	1	1	1	1	1	1	
8	39165721	Ring - O	1	1	1	1	1	1	
9	AN101190	Filter assembly - Oil	1	1	1	1	1	1	
10	EC541004	Adapter oil filter	1	1	1	1	1	1	
11	AN101232	Pipe Complete, Banjo	1	1	1	1	1	1	
12	AN101188	Bolt special, clutch cover	1	1	1	1	1	1	
13	31121006	Gasket	2	2	2	2	2	2	
14	AN101113	Dom nut	1	1	1	1	1	1	
15	AN101175	Connector oil supply	1	1	1	1	1	1	
16	DK101237	Washer copper oil cooler	2	2	2	2	2	2	

AA - Compact PET  
AF - Compact CNG  
AM - Compact LPG



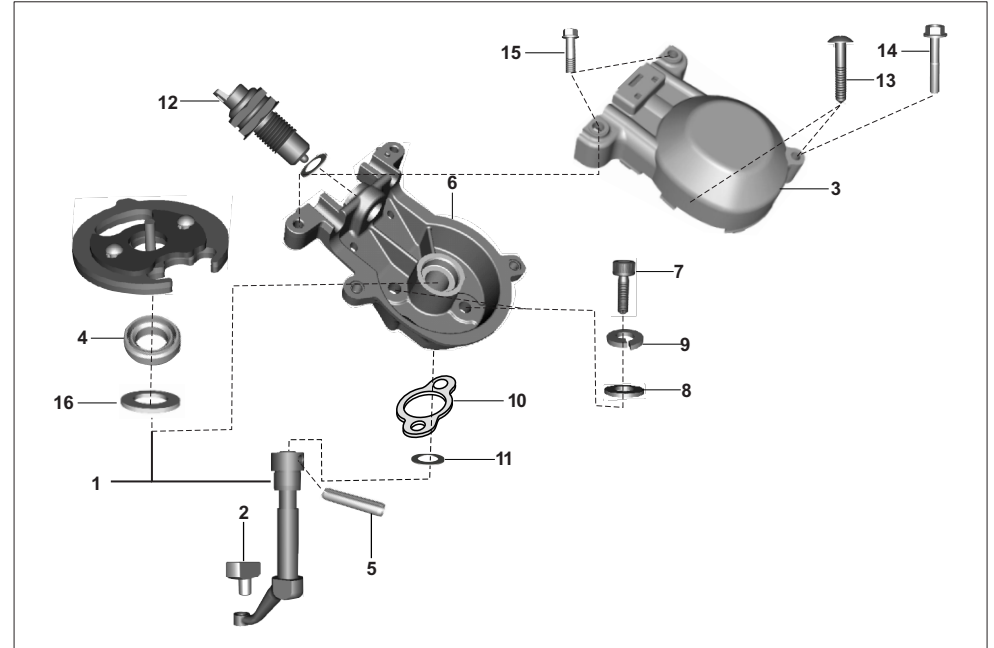
No.	Part No.	Description	COMPACT			COMPACT+		CARGO	Remarks
			AA	AF	AM	AZ	RA	AN	
1	AA101593	Clutch comp	1	1	1	-	-	-	
1	AN101069	Clutch comp	-	-	-	1	1	1	
2	AA101470	Clutch plate assly	1	1	1	1	1	1	
3	AA101471	Wheel clutch	1	1	1	1	1	1	
4	36AA4025	Plate friction (AA101478)	1	1	1	1	1	1	Kit-5
5	AA101472	Plate clutch	6	6	6	6	6	6	
6	JZ551417	Plate friction reduced htts	1	1	1	1	1	1	
7	AA101473	Hub clutch	1	1	1	1	1	1	
8	AA101216	Spring clutch	6	6	6	6	6	6	alt-AA101364
9	39098004	Hex bolt	6	6	6	6	6	6	
10	AA101474	Holder clutch	1	1	1	1	1	1	
11	39193815	Flange nut	1	1	1	1	1	1	
12	JA551421	Plate judder	1	1	1	1	1	1	
13	JA551422	Spring judder	1	1	1	1	1	1	
14	AA101592	Clutch Housing assly	1	1	1	-	1	-	
14	AN101063	Clutch Housing Assly	-	-	-	1	1	1	
15	AA101009	Bush gear primary	1	1	1	1	1	1	
16	DH101795	Clutch lifter bearing	1	1	1	1	1	1	
17	AN101361	Plate holder	1	1	1	1	1	1	
18	39200811	Plain washer	1	1	1	1	1	1	
19	AA101213	Collar	1	1	1	1	1	1	

AZ - Compact+ CNG  
RA - Compact+ LPG  
AN - Cargo CNG



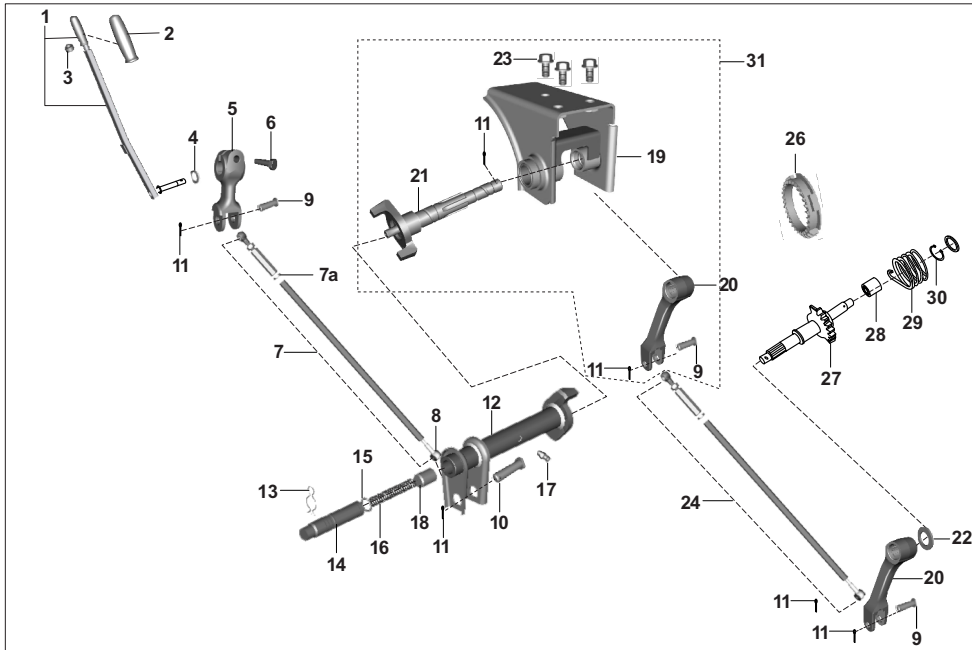
No.	Part No.	Description	COMPACT			COMPACT+		CARGO	Remarks
			AA	AF	AM	AZ	RA	AN	
1	AA101743	Assembly faremeter complete	1	1	1	1	1	—	
2	AA101745	Fare meter housing assly	1	1	1	1	1	1	Incl. item 3, 4 & 5
3	24131007	Bush	1	1	1	1	1	1	
4	24131008	Plug	1	1	1	1	1	1	
5	03170109	Pin	1	1	1	1	1	1	
6	AA101750	Faremeter pinion	1	1	1	1	1	1	
7	24131003	Wire	1	1	1	1	1	1	
8	24130209	Faremeter gear	1	1	1	1	1	—	
8	AN131026	Faremeter gear	—	—	—	—	—	1	
9	AA101742	Bush	1	1	1	1	1	1	
10	39158721	O ring ( speedo adaptor )	1	1	1	1	1	1	
11	23161305	Grease nipple	1	1	1	1	1	1	
12	AA131004	Gasket	1	1	1	1	1	1	
13	59040029	Bolt with split pin	3	3	3	3	3	3	
14	39183012	Washer - Spring	3	3	3	3	3	3	
15	KADA0512	Hex bolt	1	1	1	1	1	1	
16	AA101747	Seal rubber-faremeter cable	1	1	1	1	1	1	

AA - Compact PET  
AF - Compact CNG  
AM - Compact LPG



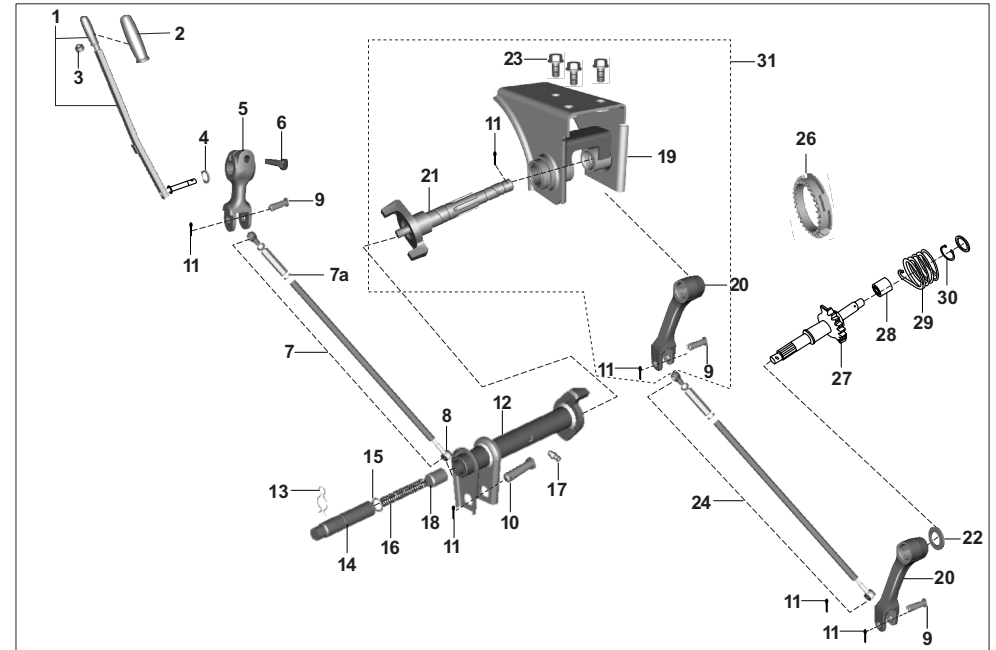
No.	Part No.	Description	COMPACT			COMPACT+		CARGO	Remarks
			AA	AF	AM	AZ	RA	AN	
1	AA101736	Sector with lever	1	1	1	1	1	1	
2	BA132141	Slider block	1	1	1	1	1	1	
3	AA102167	Cover assembly-gear shifter	1	1	1	1	1	1	fr.29.04.2017
4	39104619	Seal oil	1	1	1	1	1	1	
5	39042606	Spring type straight pin	1	1	1	1	1	1	
6	AA101819	Flange assy gear shifter	1	1	1	1	1	1	
7	39119704	Bolt socket	2	2	2	2	2	2	
8	39019811	Plain washer	2	2	2	2	2	2	
9	39182612	Spring washer	2	2	2	2	2	2	
10	AA101084	Gasket sector flange	1	1	1	1	1	1	
11	39080411	Plain washer	2	2	2	2	2	2	
12	AP111023	Switch neutral	1	1	1	1	1	1	
13	LBU00015	Screw pan cross	2	2	2	2	2	2	
14	KADD0530	Bolt flanged	1	1	1	1	1	1	fr.29.04.2017
15	LAD00017	Bolt flanged cable guide	2	2	2	2	2	2	
16	39055011	Washer plain	1	1	1	1	1	1	

AZ - Compact+ CNG  
RA - Compact+ LPG  
AN - Cargo CNG



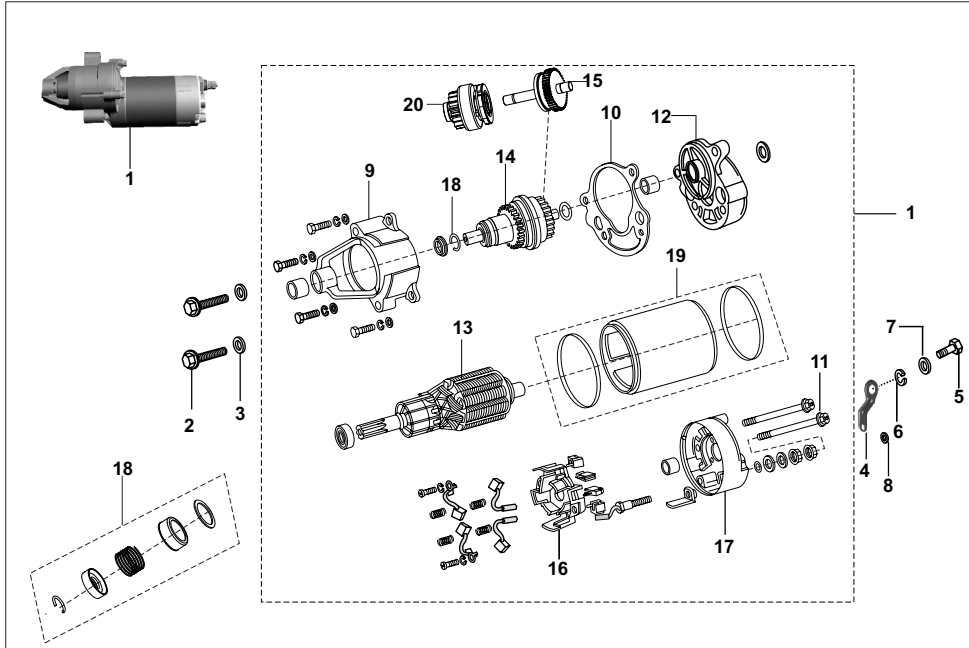
No.	Part No.	Description	COMPACT			COMPACT+		CARGO	Remarks
			AA	AF	AM	AZ	RA	AN	
1	AZ621019	Starting handle with grip	1	1	1	-	-	-	
2	22101115	Grip -starting handle	1	1	1	-	-	-	
3	DG161124	Damper	1	1	1	-	-	-	
4	24101414	Washer	1	1	1	-	-	-	
5	AA101329	Lever driver side	1	1	1	-	-	-	
6	39138904	Bolt M8	1	1	1	-	-	-	
7	AZ621011	Tube connecting-1 assly	1	1	1	-	-	-	
7a	24101419	Nut Hex LH	1	1	1	-	-	-	
8	24101720	Bush for eye pin	2	2	2	-	-	-	
9	24101422	Pin	3	3	3	-	-	-	
10	24101421	Pin	1	1	1	-	-	-	
11	39079908	Pin cotter	5	5	5	-	-	-	
12	AZ621016	Tube starting assy.-hand start	1	1	1	-	-	-	
13	21101429	Spring clip	1	1	1	-	-	-	
14	AA101277	Pin support - hand start	1	1	1	-	-	-	
15	03180116	Ring O	1	1	1	-	-	-	
16	21101427	Spring	1	1	1	-	-	-	
17	23161305	Grease nipple	1	1	1	1	1	1	
18	22101423	Plug	1	1	1	-	-	-	
19	AA101297	Assly supp.comp -hand start	1	1	1	-	-	-	

AA - Compact PET  
AF - Compact CNG  
AM - Compact LPG



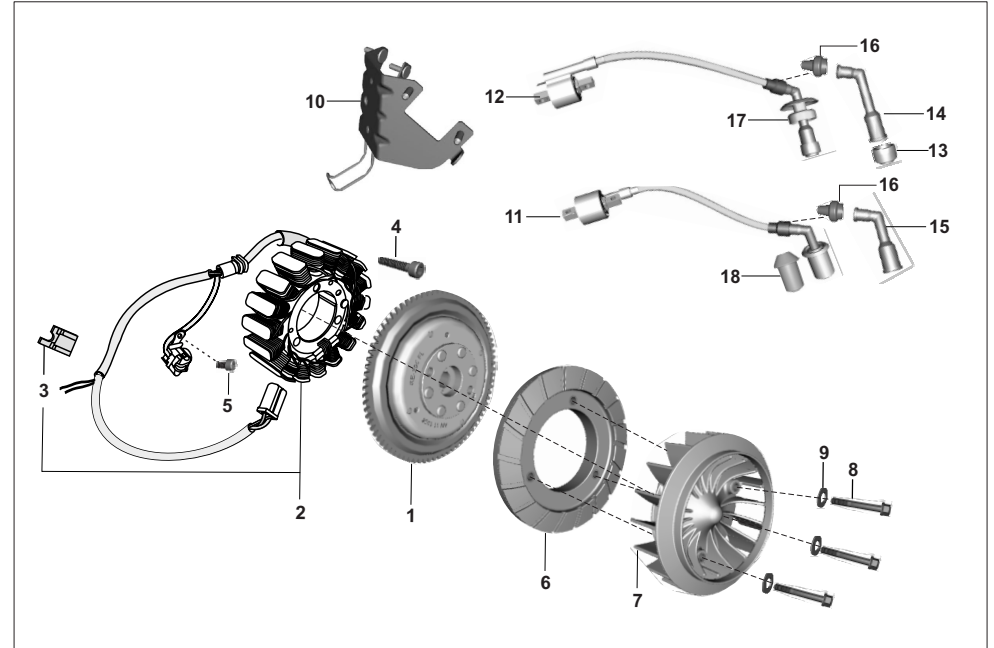
No.	Part No.	Description	COMPACT			COMPACT+		CARGO	Remarks
			AA	AF	AM	AZ	RA	AN	
20	AZ621202	Lever starter	2	2	2	-	-	-	
21	AA101289	Spindle assy - hand start	1	1	1	-	-	-	
22	39024011	Washer plain	2	2	2	-	-	-	
23	39155604	Hex hd bolt/flange-m8	3	3	3	3	3	-	
24	AA101347	Tube conctg ii assy	1	1	1	-	-	-	
25	24101572	Bush - nylon for eye bolt	4	4	4	-	-	-	
26	AA101122	Starter gear	1	1	1	-	-	-	
27	AA101286	Sector gear assly	1	1	1	-	-	-	
28	AA101215	Guide spring	1	1	1	-	-	-	
29	AA101209	Torsional spring	1	1	1	-	-	-	
30	30101053	Circlip	1	1	1	-	-	-	
31	AZ621022	Support asy with spindle & lever	1	1	1	-	-	-	

AZ - Compact+ CNG  
RA - Compact+ LPG  
AN - Cargo CNG



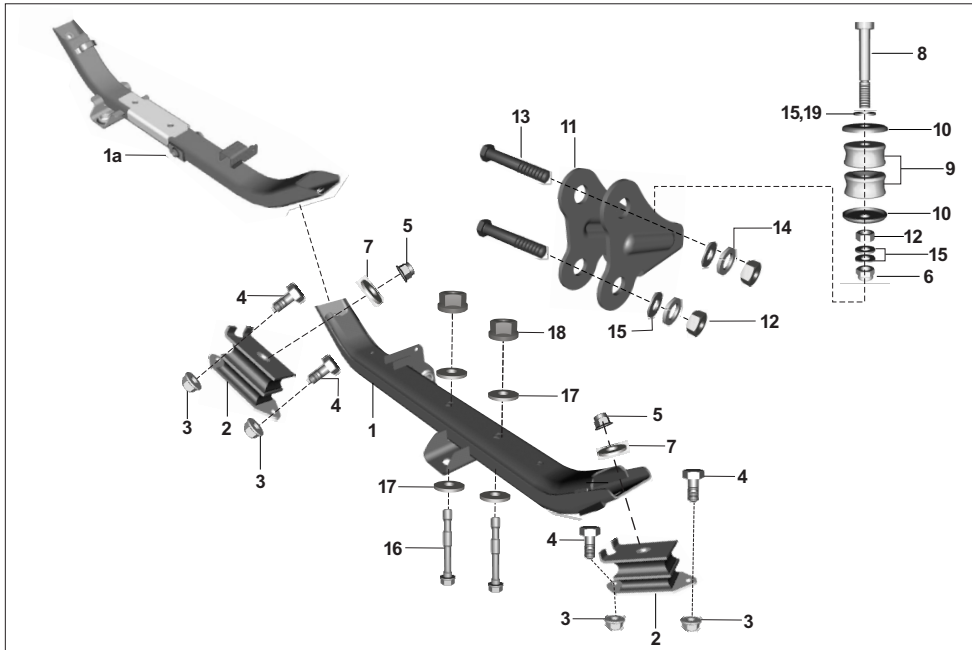
No.	Part No.	Description	COMPACT			COMPACT+		CARGO	Remarks
			AA	AF	AM	AZ	RA	AN	
1	AF111021	Starter motor assy complete	1	1	1	1	1	1	
2	KACC0835	Socket bolt -Motor mtg	2	2	2	2	2	2	
3	39020011	Plain washer	2	2	2	2	2	2	
4	AA111067	Support bracket assly	1	1	1	1	1	1	
5	39194004	Flange bolt - Support bracket	3	3	3	3	3	3	
6	39182612	Spring washer	1	1	1	1	1	1	
7	39019811	Washer plain	1	1	1	1	1	1	
8	AA111049	Grommet for SM bracket.	1	1	1	1	1	1	
9	AA111093	Drive end bracket (3 bolt)	1	1	1	1	1	1	
9	AF111023	Fixing bracket assly (2 bolt)	1	1	1	1	1	1	
10	AA111118	Gasket	1	1	1	1	1	1	
11	AA111117	Tie bolt	2	2	2	2	2	2	
12	AA111081	Intermediate bracket Assly	1	1	1	1	1	1	
13	AA111082	Armature assly.	1	1	1	1	1	1	
14	AA111094	Gear shaft assly(exend casting)	1	1	1	1	1	1	
15	AA111095	Gear shaft unit(exend casting)	1	1	1	1	1	1	
16	AA111085	Brush box assly.	1	1	1	1	1	1	
17	AA111080	Bracket end cover assly	1	1	1	1	1	1	
18	36AA4018	Kit_ stater motor spring	1	1	1	1	1	1	
19	AB111107	Yoke & magnet assly kit	1	1	1	1	1	1	
20	AA111083	Drive assly	1	1	1	1	1	1	

AA - Compact PET  
AF - Compact CNG  
AM - Compact LPG



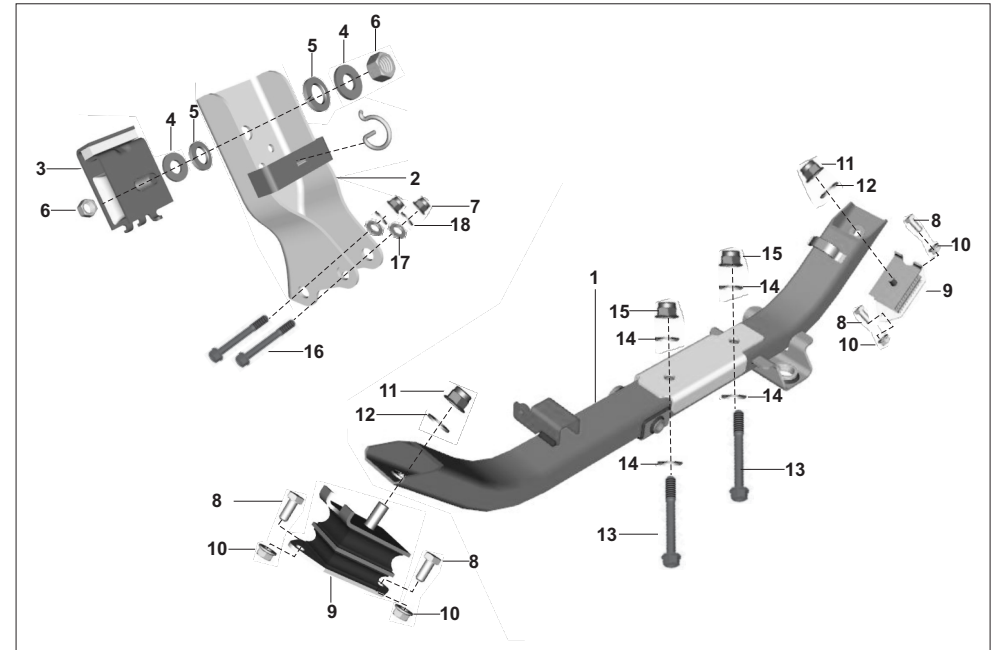
No.	Part No.	Description	COMPACT			COMPACT+		CARGO	Remarks
			AA	AF	AM	AZ	RA	AN	
1	AA111151	Rotor assly	1	1	1	1	1	1	NS
1	AA111202	Rotor assbly	1	1	1	1	1	1	fr.09.12.17 alt
2	AN111013	Stator assly	1	1	1	1	1	1	NS
2	AA111203	Stator assly	1	1	1	1	1	1	fr.09.12.17 alt
3	AA101220	Grommet for pickup	1	1	1	1	1	1	
4	AP101210	Bolt socket	3	3	3	3	3	3	
5	LAC00025	Bolt socket	2	2	2	2	2	2	
6	AN101202	Fan base	1	1	1	1	1	1	NS
6	AU601400	Fan base	1	1	1	1	1	1	fr.09.12.17 alt
7	AN101157	Fan	1	1	1	1	1	1	
8	LAE00023	Bolt Flange small	3	3	3	3	3	3	
9	39019811	Plain washer	3	3	3	3	3	3	
10	AA101969	Bracket H.T. Coil mounting	1	1	1	-	-	-	
11	AA111132	Coil h.t. with cable and cap-LH	1	1	1	-	-	-	
11	AZ351209	Coil ht with cable and cap - LH	-	-	-	1	1	-	
11	AN111047	Coil ht with cable and cap- LH	-	-	-	-	-	1	
12	AA111134	Coil h.t. with cable and cap-RH	1	1	1	-	-	-	
12	AN111048	Coil ht RH with cable and cap	-	-	-	1	1	1	
13	AA111148	Grommet spark plug	1	1	1	1	1	1	
14	AF111032	Cap spark plug RH s post	1	1	1	1	1	1	
15	AF111031	Cap spark plug LH s post	1	1	1	1	1	1	
16	AF111033	Grommet for h. T. Cable	2	2	2	2	2	2	
17	AF111035	Grommet for spark plug cap RH	1	1	1	1	1	1	
18	AF111034	Grommet for spark plug cap-LH	1	1	1	1	1	1	

AZ - Compact+ CNG  
RA - Compact+ LPG  
AN - Cargo CNG



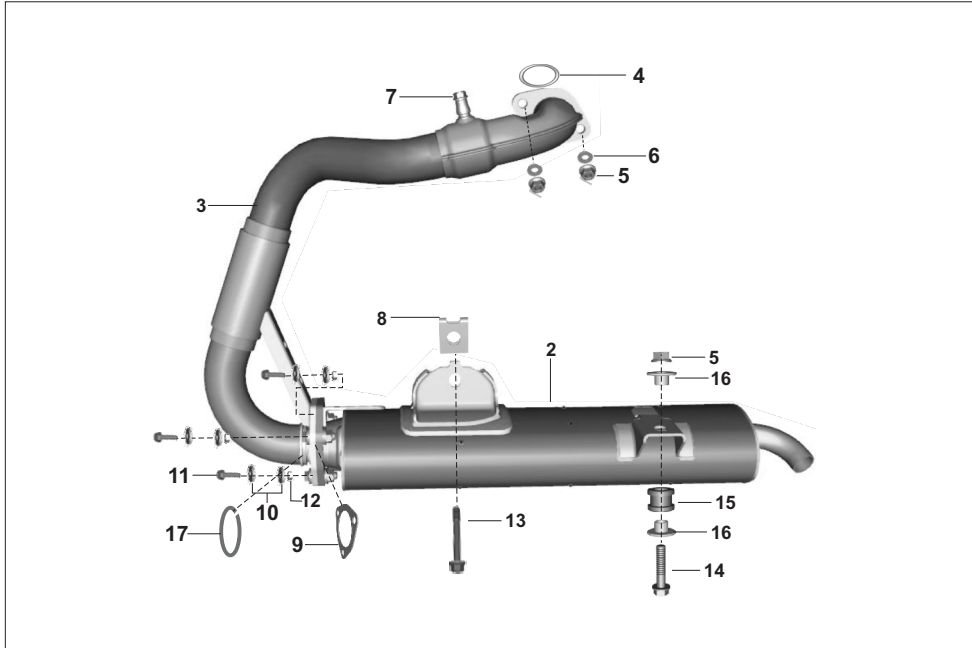
No.	Part No.	Description	COMPACT			COMPACT+		CARGO	Remarks
			AA	AF	AM	AZ	RA	AN	
1	AA161337	Engine mounting member rear	1	1	1	-	-	-	
1a	AZ113406	Assly eng mount rr cross mbr	-	-	-	1	1	-	
2	AA101816	Isolator - rubber	2	2	2	2	2	-	
3	39079815	Nut - hexagon :- m6 x 1	4	4	4	-	-	-	
4	39006204	Hexagon hd screw-m6	4	4	4	4	4	-	
5	KCKA0811	Nut nyloc flanged	2	2	2	2	2	-	
6	59150012	Nut nyloc m10	1	1	1	1	1	-	
7	39179211	Washer	2	2	2	2	2	-	
8	24161003	Bolt - hexagon	1	1	1	1	1	-	
9	24160924	Plug - rubber	2	2	2	2	2	-	
10	21160417	Plate - reinforcement	2	2	2	2	2	-	
11	AA101194	Bracket - front mounting	1	1	1	1	1	-	
12	39029615	Nut - hexagon :- m10	3	3	3	3	3	-	
13	39008304	Bolt	2	2	2	2	2	-	
14	39182912	Spring washer	2	2	2	2	2	-	
15	39024811	Plain washer	5	5	5	5	5	-	
16	LAD00164	Bolt - hexagon head :- M10	2	2	2	2	2	-	
17	LDB00049	Washer - special	4	4	4	4	4	-	
18	LCG00017	Nut hex. Thick	2	2	2	2	2	-	
19	39025111	Washer plain	-	-	-	1	1	-	

AA - Compact PET  
AF - Compact CNG  
AM - Compact LPG



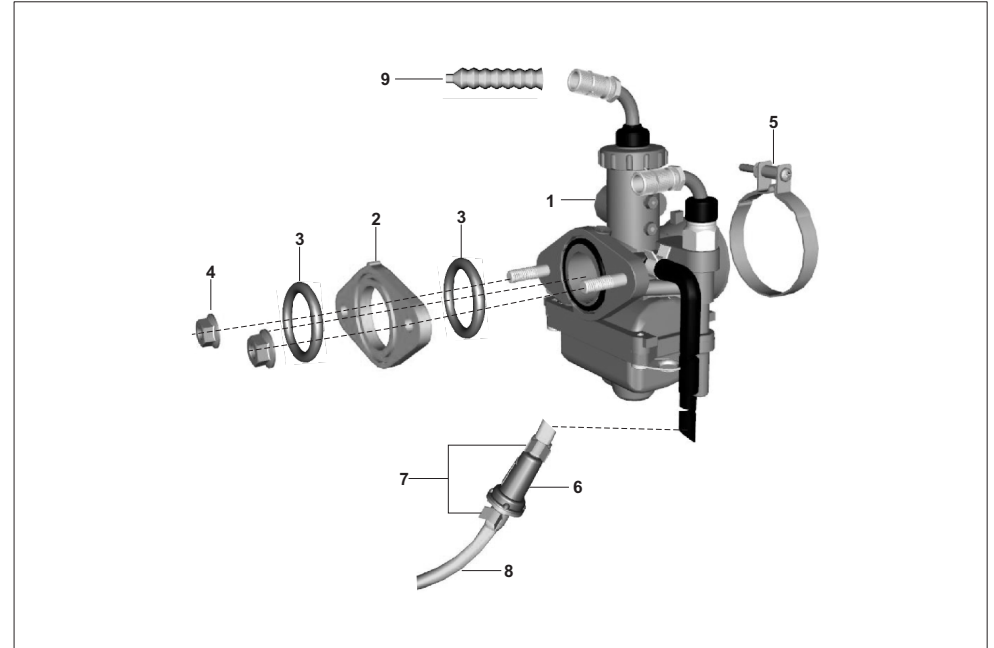
No.	Part No.	Description	COMPACT			COMPACT+		CARGO	Remarks
			AA	AF	AM	AZ	RA	AN	
1	AN161263	Assly engine mtg member rr	-	-	-	-	-	1	
2	AN160912	Bracket engine mounting front	-	-	-	-	-	1	
3	BH113411	Rubber isolator	-	-	-	-	-	1	
4	39071411	Washer plain	-	-	-	-	-	2	
5	39182712	Washer - spring	-	-	-	-	-	2	
6	39046715	Nut hexagon -M12 X 1.5	-	-	-	-	-	2	
7	39029615	Hexagon nut-M10	-	-	-	-	-	2	
8	39107901	Screw - hexagon head	-	-	-	-	-	4	
9	AA101816	Rubber isolator	-	-	-	-	-	2	
10	39079815	Nut hexagon with flange m6	-	-	-	-	-	2	
11	KCKA0811	Nut nyloc flanged	-	-	-	-	-	2	
12	39179211	Washer	-	-	-	-	-	2	
13	LAD00164	Bolt	-	-	-	-	-	2	
14	LDB00049	Washer plain	-	-	-	-	-	4	
15	LCG00017	Nut hex flange	-	-	-	-	-	2	
16	39008304	Bolt hex head	-	-	-	-	-	2	
17	39182912	Spring washer	-	-	-	-	-	2	
18	39024811	Washer - plain	-	-	-	-	-	2	

AZ - Compact+ CNG  
RA - Compact+ LPG  
AN - Cargo CNG



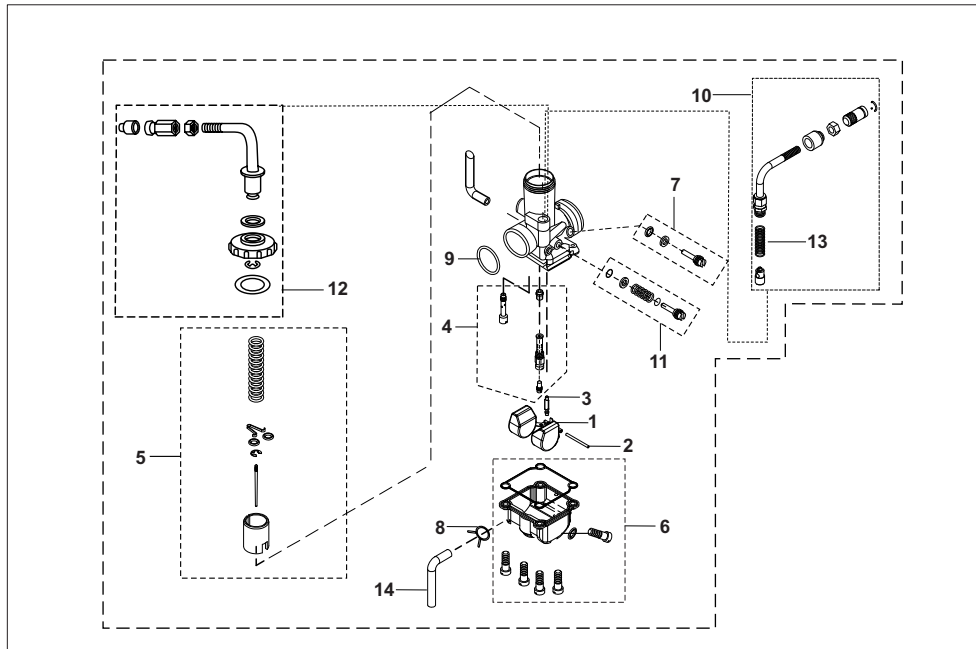
No.	Part No.	Description	COMPACT			COMPACT+		CARGO	Remarks
			AA	AF	AM	AZ	RA	AN	
1	AM101051	Silencer assy comp.	1	-	1	-	1	-	
1	AN101452	Silencer assly complete	-	1	-	1	-	1	
2	AM101052	Muffler assly complete	1	-	1	-	1	-	
2	AN101453	Muffler assly complete	-	1	-	1	-	1	
3	AA101953	Assly exhaust tube	1	-	1	-	1	-	
3	AF101097	Assly exhaust tube	-	1	-	1	-	1	
4	AA102171	Gasket - exhaust	1	1	1	1	1	1	
5	KCGD0808	Nut - hexagon :- M8 X 1.25	3	3	3	3	3	3	
6	39118011	Washer - plain	2	2	2	2	2	2	
7	KADD0612	Bolt flange CO	1	1	1	1	1	1	
8	AA102114	Clip nut	1	1	1	1	1	1	
9	JE591002	Gasket silencer	1	1	1	1	1	1	
10	LDA00028	Washer plain	6	6	6	6	6	6	
11	LAE00045	Bolt flang	3	3	3	3	3	3	
12	39229515	Nut hex.	3	3	3	3	3	3	
13	LAD00068	Bolt flanged	1	1	1	1	1	1	
14	LAG00008	Bolt wp	1	1	1	1	1	1	
15	JG591100	Damper silencer mounting lower	1	1	1	1	1	1	NS
15	AA102193	Grommet	1	1	1	1	1	1	fr.22.12.17 alt
16	AA102110	Sleeve	2	2	2	2	2	2	
17	AA102124	Gasket silencer	1	1	1	1	1	1	

AA - Compact PET  
AF - Compact CNG  
AM - Compact LPG



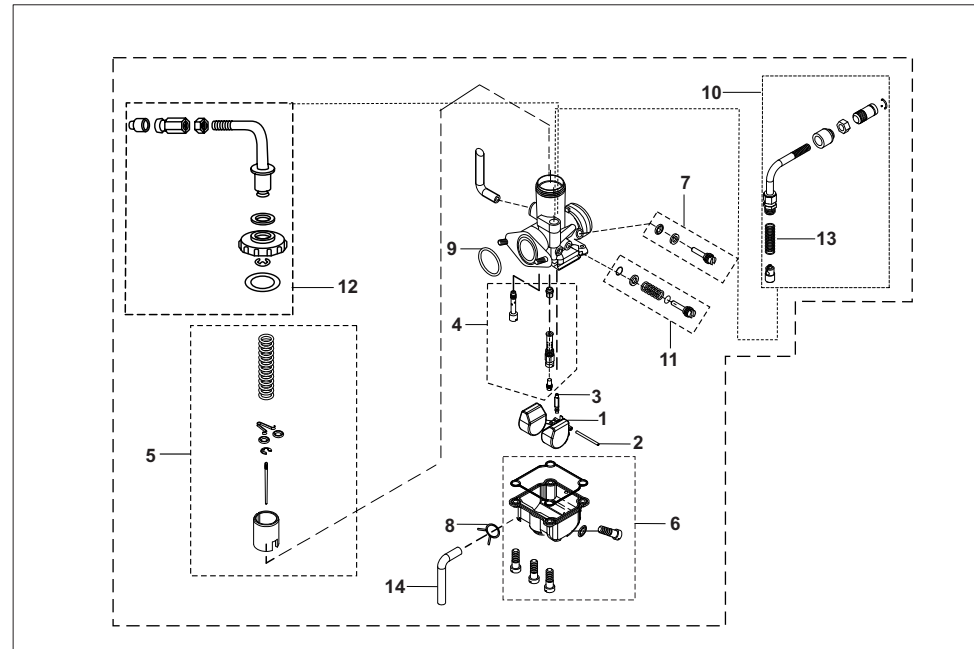
No.	Part No.	Description	COMPACT			COMPACT+		CARGO	Remarks
			AA	AF	AM	AZ	RA	AN	
1	AA121280	Carburettor assy. For EVAP	1	-	-	-	-	-	
1	AF121534	Carburettor assy. For EVAP	-	1	-	-	-	-	
1	AM121187	Carburettor assy. For EVAP	-	-	1	-	-	-	
1	AZ581219	Carburettor assly -BS4	-	-	-	1	-	-	
1	RA581207	Carburettor assly -BS4	-	-	-	-	1	-	
1	AN121217	Carburettor assly -BS4	-	-	-	-	-	1	
2	AA121226	Insulator for manifold	1	1	1	1	1	1	
3	LJA00003	O Ring (Insulator)	2	2	2	2	2	2	
4	KCGA0606	Nut hex flanged	2	2	2	2	2	2	
5	JF581209	Clamp connecting side	1	1	1	1	1	1	
6	AF121133	Filter complete	-	1	1	1	1	1	
7	AA141046	Spring band clip 7.8 mm	2	2	2	2	2	2	
8	AZ581220	Tube breather II	-	1	1	1	1	-	
8	AN121219	Tube breather ii	-	-	-	-	-	1	
9	31191032	Boot for accelerator cable	2	2	2	2	2	2	

AZ - Compact+ CNG  
RA - Compact+ LPG  
AN - Cargo CNG



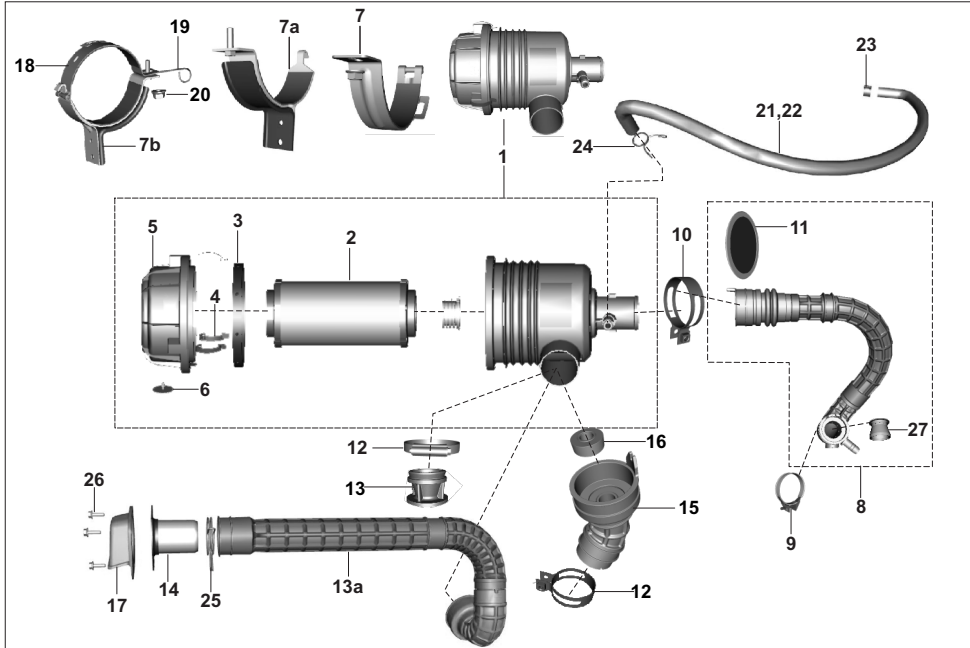
No.	Part No.	Description	COMPACT			COMPACT+		CARGO	Remarks
			AA	AF	AM	AZ	RA		
1	24121365	Float assly	1	1	1	1	1	1	
2	24121069	Pin float	1	1	1	1	1	1	
3	JA581221	Needle valve assly.	1	1	1	1	1	1	
4	36AA4046	Jet kit Comp. petrol	1	-	-	-	-	-	
4	36AA4110	Jet kit (AA121280)	1	-	-	-	-	-	
4	36AF0049	Jet kit (AF121534)	-	1	-	-	-	-	
4	36AM0006	Jet kit (AM121187)	-	-	1	-	-	-	
4	36AZ0024	Jet kit - (AZ581219)	-	-	-	1	-	-	
4	36AZ0025	Jet kit- (RA581207)	-	-	-	-	1	-	
4	36AN0030	Jet kit- (AN121217)	-	-	-	-	-	1	
5	36AA4112	Piston valve assy kit (AA121280)	1	-	-	-	-	-	
5	36AF0050	Piston valve assy kit(AF121534)	-	1	-	-	-	-	
5	36AM0007	Piston valve assy kit (AM121187)	-	-	1	-	-	-	
5	36AN0031	Piston valve assy kit	-	-	-	1	1	1	
6	36AA4098	Float body assy kit	1	1	1	1	1	1	
7	36JZ0016	Idling adjuster kit	1	1	1	1	1	1	
8	AA141046	Clip spring	1	1	1	1	1	1	
9	36AA4099	O-ring and gasket kit-4S RL	1	1	1	1	1	1	alt- 36AA4075
10	36AA4100	Starter cable guide assy kit	1	1	1	1	1	1	
11	36AA4111	Pilot screw kit (AA121280)	1	-	-	-	-	-	

AA - Compact PET  
AF - Compact CNG  
AM - Compact LPG



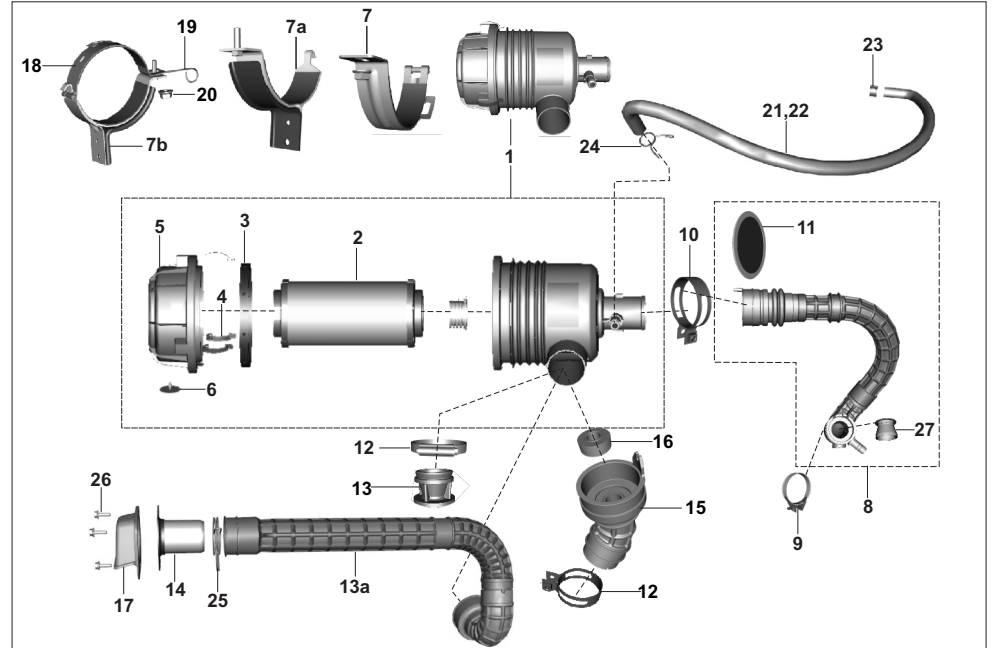
No.	Part No.	Description	COMPACT			COMPACT+		CARGO	Remarks
			AA	AF	AM	AZ	RA		
11	36AZ0020	Pilot screw kit	-	1	1	1	1	1	
12	JA581223	Mixing cap assly kit	1	1	1	1	1	1	kit-90
13	JZ581216	Spring PV VM22	1	1	1	1	1	1	
14	24121508	Tube overflow carb.	1	1	1	1	1	-	
14	AA121265	Tube overflow carb.	-	-	-	-	-	1	

AZ - Compact+ CNG  
RA - Compact+ LPG  
AN - Cargo CNG



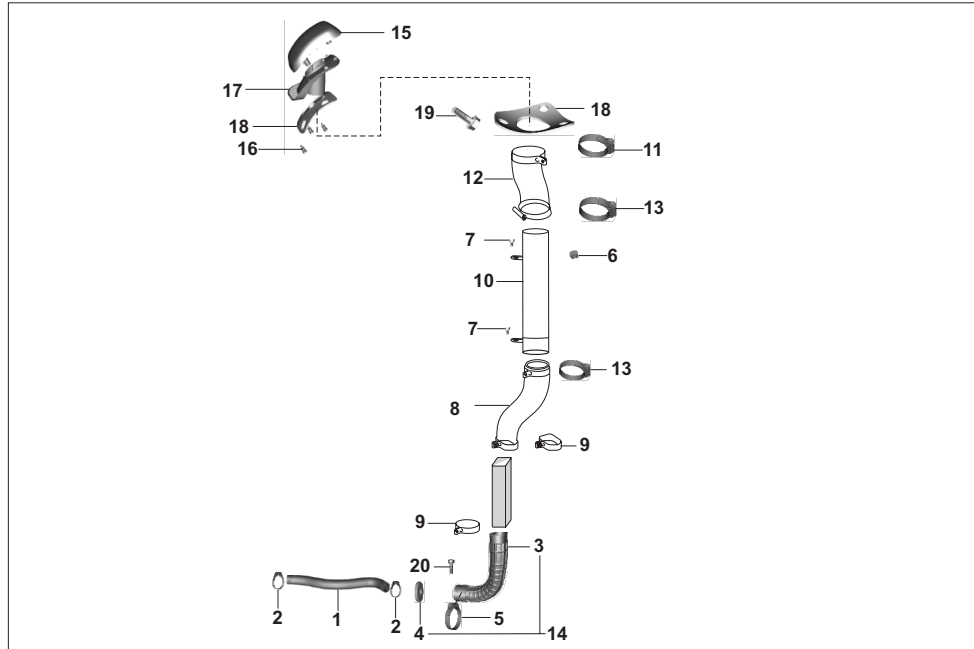
No.	Part No.	Description	COMPACT			COMPACT+		CARGO	Remarks
			AA	AF	AM	AZ	RA		
1	AA121305	Assly air filter	1	-	-	-	-	-	
1	AF121505	Assly air filter	-	1	1	1	1	-	
1	RC581007	Assly air filter	-	-	-	-	-	1	
1	AL121062	Element air filter	1	-	-	-	-	-	
2	AA121150	Element air filter	-	1	1	1	1	1	
3	AA121148	Gasket sealing	1	1	1	1	1	1	
4	AL121069	Clip air filter	3	-	-	-	-	-	
4	AA121149	Clip air filter	3	3	3	3	3	3	
5	AL121070	Cover air filter assly	1	-	-	-	-	-	
5	AA121193	Cover air filter assly	-	1	1	1	1	-	
5	RC581009	Cover air filter assly	-	-	-	-	-	1	
6	BB121029	valve butterfly	1	-	-	-	-	-	
6	AA121147	Valve dust ejector	1	1	1	1	1	1	
7	AA231142	Clamp air filter	1	1	1	-	-	-	
7a	RC113801	Assly air filter clamp	-	-	-	1	1	1	
8	AA121241	Assly duct integral complete	1	-	-	-	-	-	
8	AM121177	Assly duct integral complete	-	1	1	-	-	-	
8	AZ581069	Assly duct integral complete	-	-	-	1	-	1	
8	RA581015	Assly duct integral complete	-	-	-	-	1	-	
9	JF581209	Clamp connecting side duct	1	1	1	1	1	1	
9	AZ581026	Clamp -mixer body	1	1	1	1	1	1	fr.13.01.2016
10	BA122062	Pipe - band	1	1	1	1	1	1	

AA - Compact PET  
AF - Compact CNG  
AM - Compact LPG



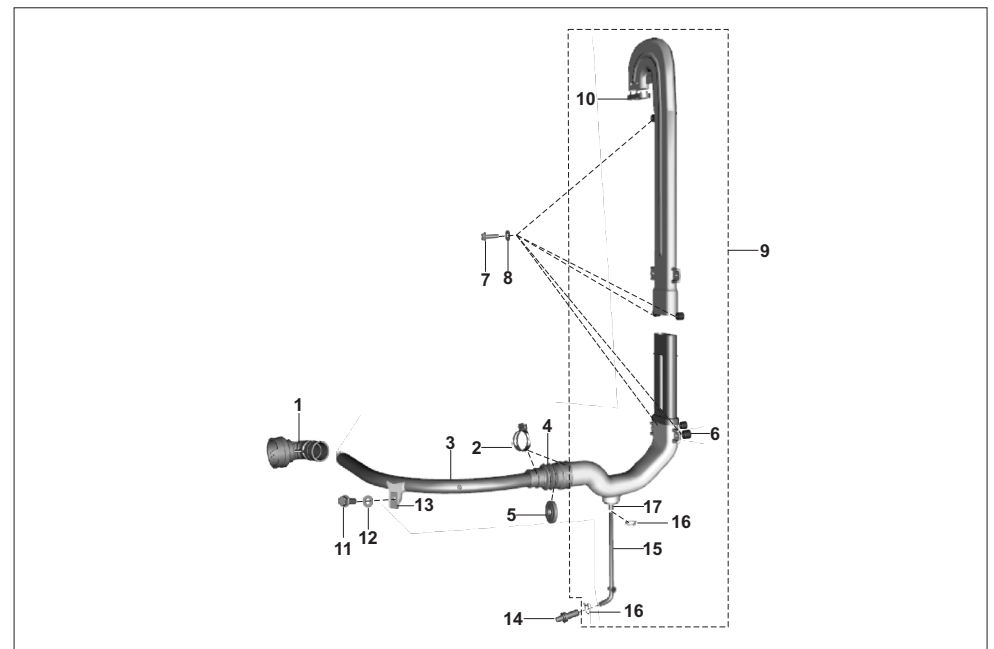
No.	Part No.	Description	COMPACT			COMPACT+		CARGO	Remarks
			AA	AF	AM	AZ	RA		
11	AZ581009	Arrester back fire	1	1	1	1	1	1	
12	31121041	Clamp	1	1	1	1	1	1	
13	AA121285	Assembly hose integral comp	1	-	-	-	-	-	
13a	AA121307	Hose assembly complete-integral	-	1	1	-	-	-	
14	BA103035	Assembly cup air suction	1	1	1	-	-	-	
15	AZ581032	Assly bellow pipe a/f inlet	-	-	-	1	1	-	
16	AA102132	Insert restrictor filter	1	1	1	-	-	-	
17	24102023	Grill air intake	1	1	1	1	1	1	
18	BG581006	Clamp air filter	-	-	-	1	1	1	
19	24121646	Hook for sai tube	-	-	-	1	1	1	
20	KCGD0808	Nut - hexagon with flange - m8	1	1	1	1	1	1	
21	AF101035	Tube breather	-	1	1	-	-	1	
22	AZ581047	Tube breather	-	-	-	1	1	-	
23	24121476	Spring	-	1	1	1	1	1	
24	24121477	Clamp hose	-	1	1	1	1	1	
25	24121749	Clamp	1	1	1	-	-	-	
26	39177304	Bolt flanged M5X16	3	3	3	3	3	-	
27	AM121077	Mixer tube (nylon).	-	1	1	-	1	-	
27	AZ581039	Venturi od 32 ID 23.8	-	-	-	1	-	1	

AZ - Compact+ CNG  
RA - Compact+ LPG  
AN - Cargo CNG



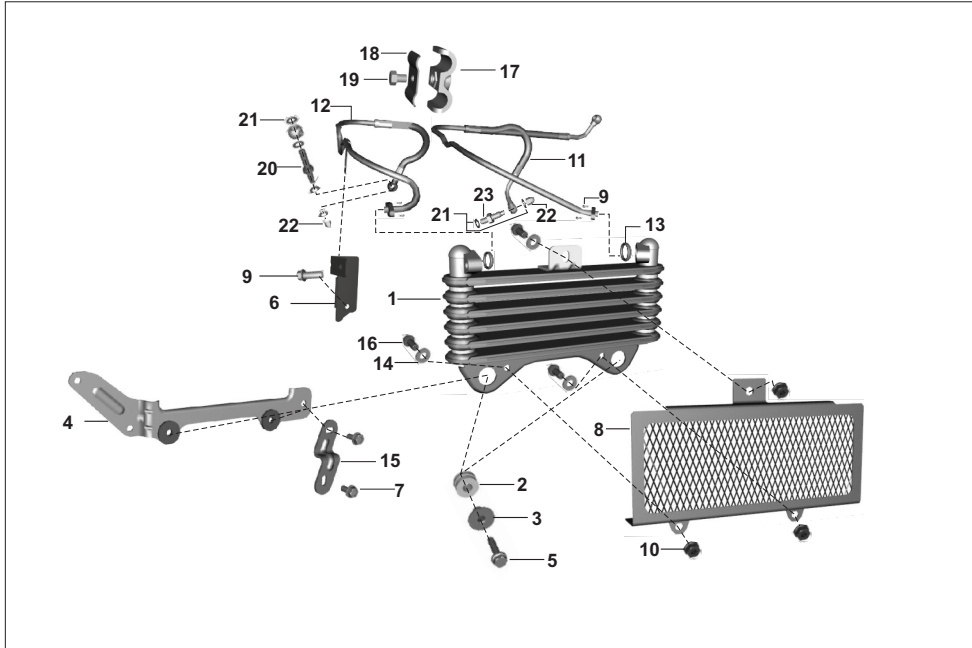
No.	Part No.	Description	COMPACT			COMPACT+		CARGO	Remarks
			AA	AF	AM	AZ	RA		
1	AZ581034	Pipe air filter inlet	-	-	-	1	1	-	
2	DG101263	Clamp	-	-	-	2	2	-	
3	AZ581013	Elbow rubber	-	-	-	1	1	-	
4	AZ581073	Insert restrictor elbow	-	-	-	1	1	-	
5	AZ581024	Clip duct air body	-	-	-	1	1	-	
6	BH581010	Clip elbow lower end	-	-	-	1	1	-	
7	KADE0612	Bolt - flanged	-	-	-	2	2	-	
8	BH581005	Elbow rubber lower end	-	-	-	1	1	-	
9	BH581010	Clip elbow lower end	-	-	-	2	2	-	
10	AZ581018	Pipe air intake upper	-	-	-	1	1	-	
11	31121041	Clamp	-	-	-	1	1	-	
12	AZ581021	Elbow top end	-	-	-	1	1	-	
13	24170431	Clip - hose	-	-	-	2	2	-	
14	AZ581074	Assly elbow with restrictor	-	-	-	1	1	-	
15	BH185001	Grill air intake snorkel top	-	-	-	1	1	-	
16	JG581015	Insert (M6*1)	-	-	-	3	3	-	
17	BH185002	Grill air intake snorkel bottom	-	-	-	1	1	-	
18	BH185003	Packing snorkel	-	-	-	1	1	-	
19	KADE0620	bolt	-	-	-	3	3	-	
20	KAED0618	Bolt-flanged-small	-	-	-	1	1	-	

AA - Compact PET  
AF - Compact CNG  
AM - Compact LPG

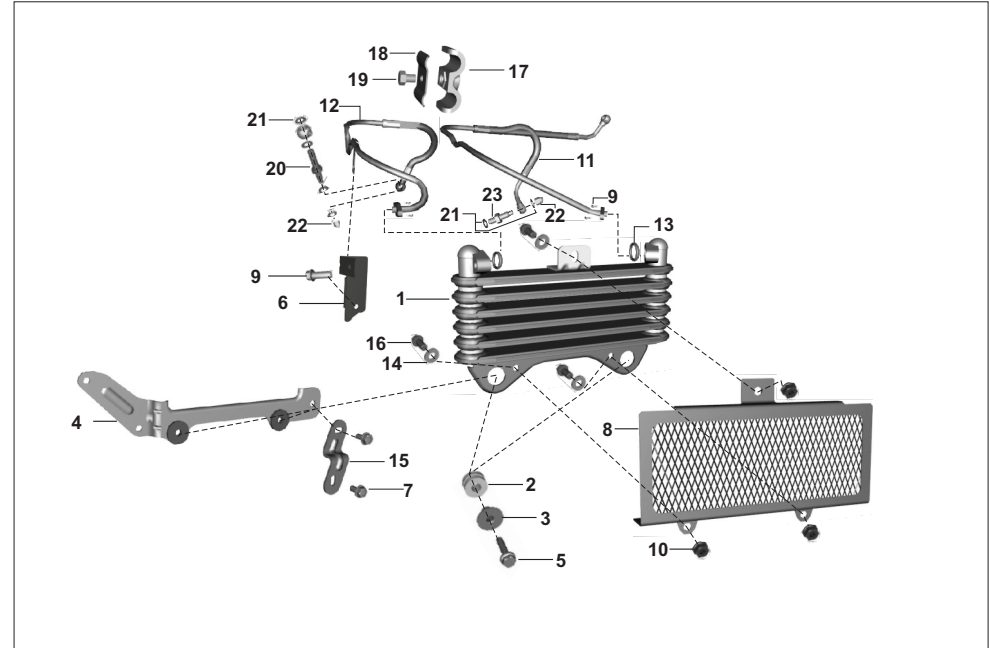


No.	Part No.	Description	COMPACT			COMPACT+		CARGO	Remarks
			AA	AF	AM	AZ	RA		
1	AN121215	Duct a/f inlet complete	-	-	-	-	-	1	
2	DG101262	Clamp	-	-	-	-	-	2	
3	RC581003	Pipe a/f inlet	-	-	-	-	-	1	
4	AN121240	Bellow -intake elbow complete	-	-	-	-	-	1	
5	AN101448	Insert restrictor - elbow	-	-	-	-	-	1	
6	BG581404	Damper	-	-	-	-	-	5	
7	KADF0625	Bolt flanged	-	-	-	-	-	5	
8	39081411	Plain washer id6.2 od11 t1.2	-	-	-	-	-	5	
9	RC581400	Assly air intake	-	-	-	-	-	1	
10	BG581405	Mesh air intake	-	-	-	-	-	1	
11	KADF0820	Bolt flanged	-	-	-	-	-	3	
12	39118011	Washer	-	-	-	-	-	1	
13	24161297	Clip nut M8x1.25	-	-	-	-	-	1	
14	DS121126	Plug	-	-	-	-	-	1	
15	JA581012	Tube drain	-	-	-	-	-	1	
16	DP121025	Clamp	-	-	-	-	-	2	
17	AL103003	Plug drain	-	-	-	-	-	1	

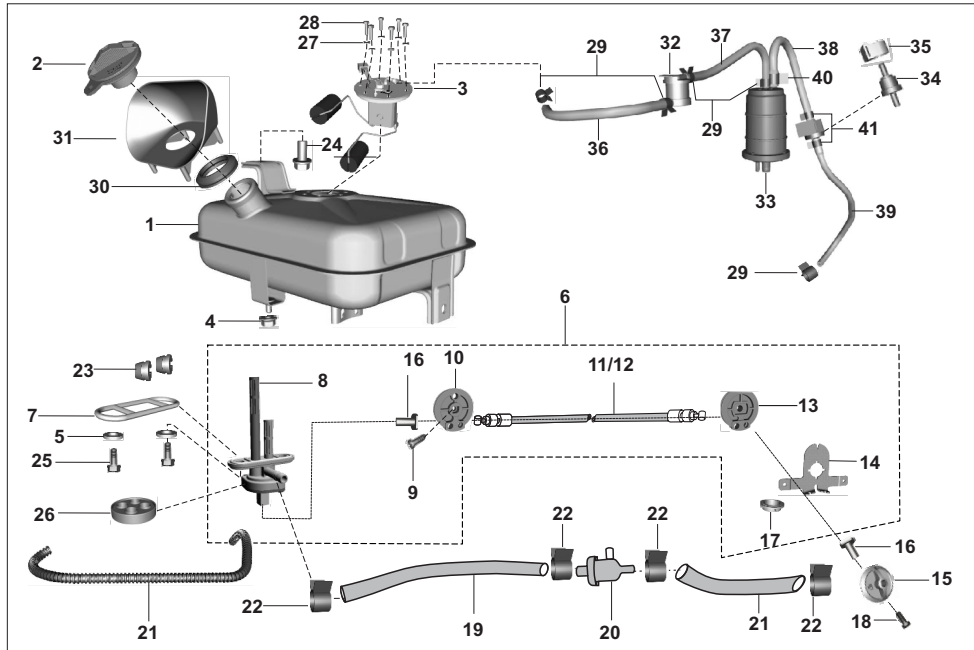
AZ - Compact+ CNG  
RA - Compact+ LPG  
AN - Cargo CNG



No.	Part No.	Description	COMPACT			COMPACT+		CARGO	Remarks
			AA	AF	AM	AZ	RA	AN	
1	AN121205	Oil cooler assly	1	1	1	1	1	1	
2	DG141019	Damper	2	2	2	2	2	2	
3	30211005	Collar	2	2	2	2	2	2	
4	AN121206	Bracket oil cooler mtg.	1	1	1	1	1	1	
5	39155304	Bolt flanged M6x1x14	3	3	3	3	3	3	
6	AN101334	Bracket support-oil tube	1	1	1	1	1	1	
7	KADD0612	Bolt flanged	2	2	2	2	2	2	
8	AN121207	Guard -oil cooler	1	1	1	1	1	1	
9	39167204	Bolt - Flange :- M6 X 16	6	6	6	6	6	6	
10	39163015	Nut - hexagon with flange	1	1	1	1	1	1	
11	AN101308	Pipe oil hot	1	1	1	1	1	1	
12	AN101307	Pipe oil cool	1	1	1	1	1	1	
13	DK101340	'O' Ring (oil cooler pipe)	2	2	2	2	2	2	
14	39021911	Washer plain	3	3	3	3	3	3	
15	AN101423	Bracket for oil cooler	1	1	1	1	1	1	
16	KAEA0612	Bolt-flanged-small	3	3	3	3	3	3	
17	DK101277	Bracket upper (oil cooler pipe)	2	2	2	2	2	2	
18	DK101278	Bracket lower (oil cooler pipe)	2	2	2	2	2	2	
19	LAE00019	Bolt flanged M5x0.8px8l	2	2	2	2	2	2	
20	AN101175	Connector oil supply	1	1	1	1	1	1	
21	DK101237	Washer copper	6	6	6	6	6	6	

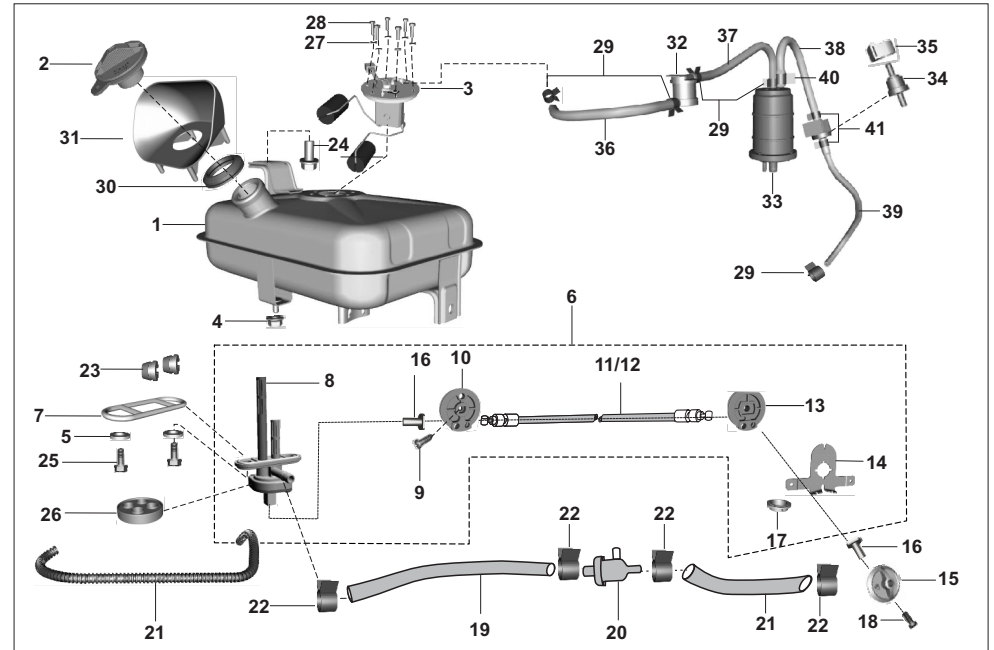


No.	Part No.	Description	COMPACT			COMPACT+		CARGO	Remarks
			AA	AF	AM	AZ	RA	AN	
22	AN101113	Nut -domed Cap	2	2	2	2	2	2	
23	AA101826	Connector -oil supply	1	1	1	1	1	1	



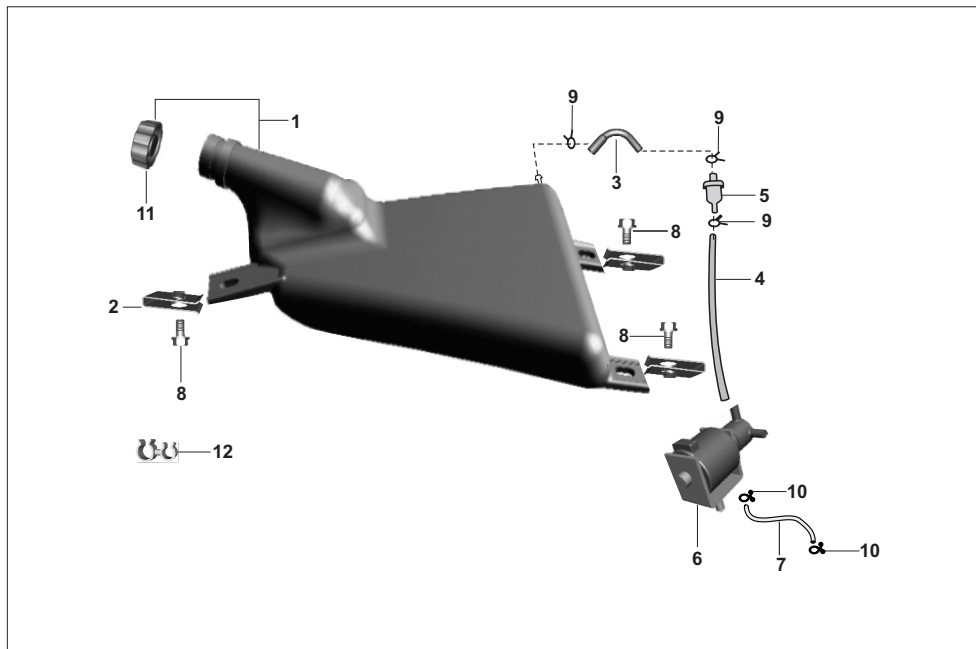
No.	Part No.	Description	COMPACT			COMPACT+		CARGO	Remarks
			AA	AF	AM	AZ	RA	AN	
1	AA141095	Assly welded fuel tank	1	-	-	-	-	-	
2	AA141140	Cap assembly evap	1	-	-	-	-	-	
3	AA201345	Tank unit BS4	1	-	-	-	-	-	
4	KCGA0808	Nut hex flanged	2	-	-	-	-	-	
5	39074011	Washer	2	-	-	-	-	-	
6	24141197	Assly fuel tap	1	-	-	-	-	-	
7	24121698	Seal fuel tap	1	-	-	-	-	-	
8	24141184	Assembly fuel cock	1	-	-	-	-	-	
9	KBAA0412	Screw-pan	1	-	-	-	-	-	
10	24141132	Pulley tap side	1	-	-	-	-	-	
11	24191136	Cable fuel cock operating-grey	1	-	-	-	-	-	
12	24191137	Cable fuel cock operating -black	1	-	-	-	-	-	
13	24141133	Pulley Knob side	1	-	-	-	-	-	
14	24141196	Bracket fuel knob mounting	1	-	-	-	-	-	
15	24141164	Knob fuel tap operation	1	-	-	-	-	-	
16	24141134	Insert for knob mounting	2	-	-	-	-	-	
17	24141135	Spacer for knob mounting	1	-	-	-	-	-	
18	KBBA0516	Screw truss cross M5	1	-	-	-	-	-	
19	AA141137	Pipe tank to filter-evap	1	-	-	-	-	-	
20	24121652	Fuel filter	1	-	-	-	-	-	
21	AA141139	Pipe filter to carbu-evap	1	-	-	-	-	-	
22	AA141103	Sleeve filter to carburetor	1	-	-	-	-	-	

AA - Compact PET  
AF - Compact CNG  
AM - Compact LPG



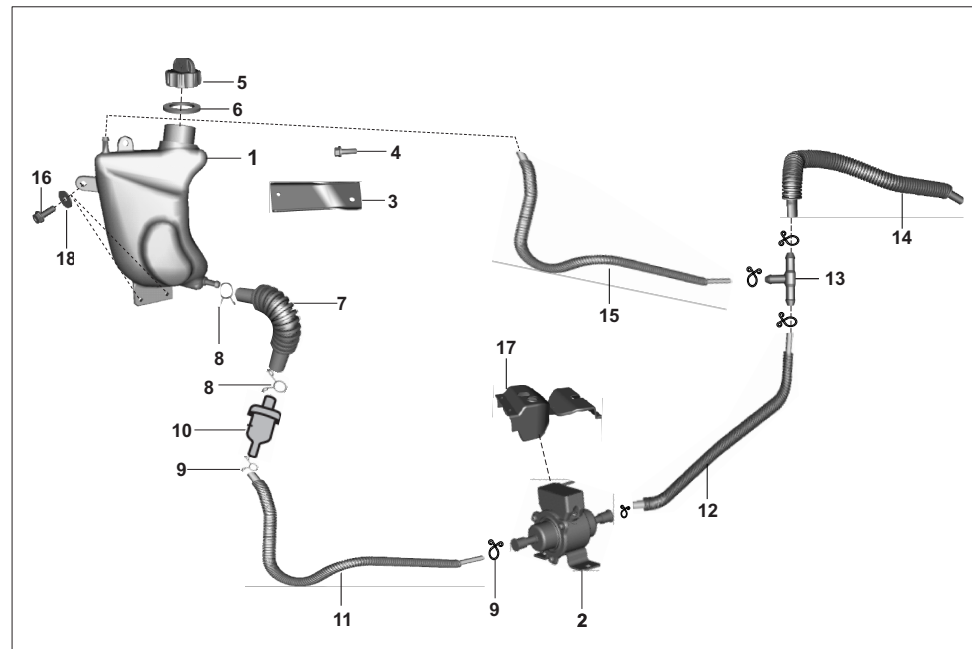
No.	Part No.	Description	COMPACT			COMPACT+		CARGO	Remarks
			AA	AF	AM	AZ	RA	AN	
22	JG171029	Spring band clip 10 MM	4	-	-	-	-	-	
23	24141183	Plug seat fuel cock bkt	2	-	-	-	-	-	
24	KADD0816	Bolt flanged	3	-	-	-	-	-	
25	DD141227	Bolt Cock mtg	2	-	-	-	-	-	
26	24141184	Gasket 4 hole(fuel cock)	1	-	-	-	-	-	
26	24141210	Gasket 4 hole	1	-	-	-	-	-	
27	03190204	Washer plain	6	-	-	-	-	-	
28	01160509	Bolt hexagon head	6	-	-	-	-	-	
29	JY171070	Spring band clamp 9 X8.4	5	-	-	-	-	-	
30	AA141080	Grommet for baffle fuel spillage	1	-	-	-	-	-	
31	AA141079	Baffle fuel spillage	1	-	-	-	-	-	
32	GL171031	Valve one way	1	-	-	-	-	-	
33	GL171072	Round canister	1	-	-	-	-	-	
34	JH171038	Valve purge	1	-	-	-	-	-	
35	JH171048	Grommet purge valve	1	-	-	-	-	-	
36	24141190	Pipe tank to rov	1	-	-	-	-	-	
37	24141187	Pipe rov to canister	1	-	-	-	-	-	
38	24141188	Pipe canister - purge cont valve	1	-	-	-	-	-	
39	24141191	Pipe purge ctr valve to eng	1	-	-	-	-	-	
40	JY171090	Spring band clamp 13X12	1	-	-	-	-	-	
41	JG171029	Spring band clip 10 mm	2	-	-	-	-	-	

AZ - Compact+ CNG  
RA - Compact+ LPG  
AN - Cargo CNG



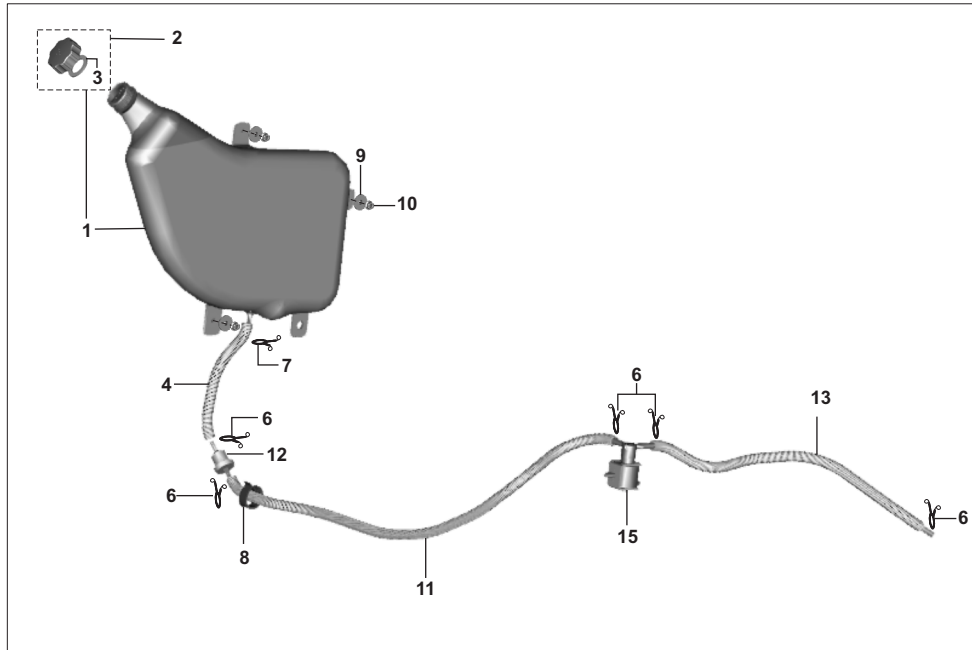
No.	Part No.	Description	COMPACT			COMPACT+		CARGO	Remarks
			AA	AF	AM	AZ	RA	AN	
1	AF141074	Assly tank fuel limp home	-	1	1	-	-	-	alt-24121656
2	24161297	Clip nut	-	3	3	-	-	-	
3	AM141004	Fuel tube tank to filter	-	1	1	-	-	-	
4	AF141072	Fuel tube filter to solenoid	-	1	1	-	-	-	
5	24121652	Fuel filter	-	1	1	-	-	-	
6	RA402601	Petrol solenoid	-	1	1	-	-	-	
7	AF141082	Fuel pipe solenoid to carb	-	1	1	-	-	-	
8	KADA0822	Bolt flanged	-	3	3	-	-	-	
9	33141007	Clamp	-	3	3	-	-	-	
10	33141008	Clamp	-	3	3	-	-	-	
11	24141194	Cap fuel tank- 3 ltr tank	-	1	1	-	-	-	
12	AA141067	Clip swivel spacer	-	2	2	-	-	-	

AA - Compact PET  
AF - Compact CNG  
AM - Compact LPG



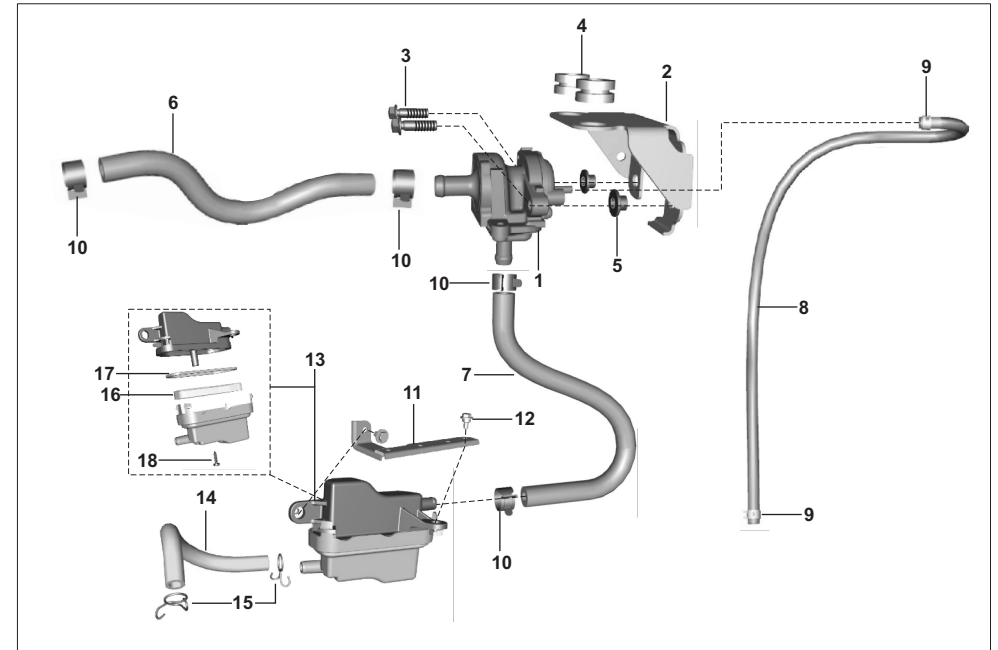
No.	Part No.	Description	COMPACT			COMPACT+		CARGO	Remarks
			AA	AF	AM	AZ	RA	AN	
1	AZ171003	Tank fuel	-	-	-	1	1	-	
2	AL201034	Pump assembly - fuel	-	-	-	1	1	-	
3	AZ111012	Bracket upper for fuel tank	-	-	-	1	1	-	
4	39195804	Bolt - flanged :- small	-	-	-	3	3	-	
5	24141150	Cap fuel tank	-	-	-	1	1	-	
6	CS141005	Washer cap fuel tank	-	-	-	1	1	-	
7	AZ171803	Pipe fuel tank to filter	-	-	-	1	1	-	
8	33141007	Clamp	-	-	-	4	4	-	
9	33141008	Clamp	-	-	-	6	6	-	
10	DD121013	Filter - Fuel	-	-	-	1	1	-	
11	AZ171812	Pipe fuel filter to pump	-	-	-	1	1	-	
12	AZ171805	Pipe fuel pump to t joint	-	-	-	1	1	-	
13	AZ171811	Joint T	-	-	-	1	1	-	
14	AZ171835	Assly fuel pipe T joint to carbu	-	-	-	1	1	-	
15	AZ171807	Pipe fuel return	-	-	-	1	1	-	
16	KADA0620	Bolt - flange	-	-	-	3	3	-	
17	AZ113806	Guard for fuel pump	-	-	-	1	1	-	
18	39021111	Plain washer	-	-	-	3	3	-	

AZ - Compact+ CNG  
RA - Compact+ LPG  
AN - Cargo CNG



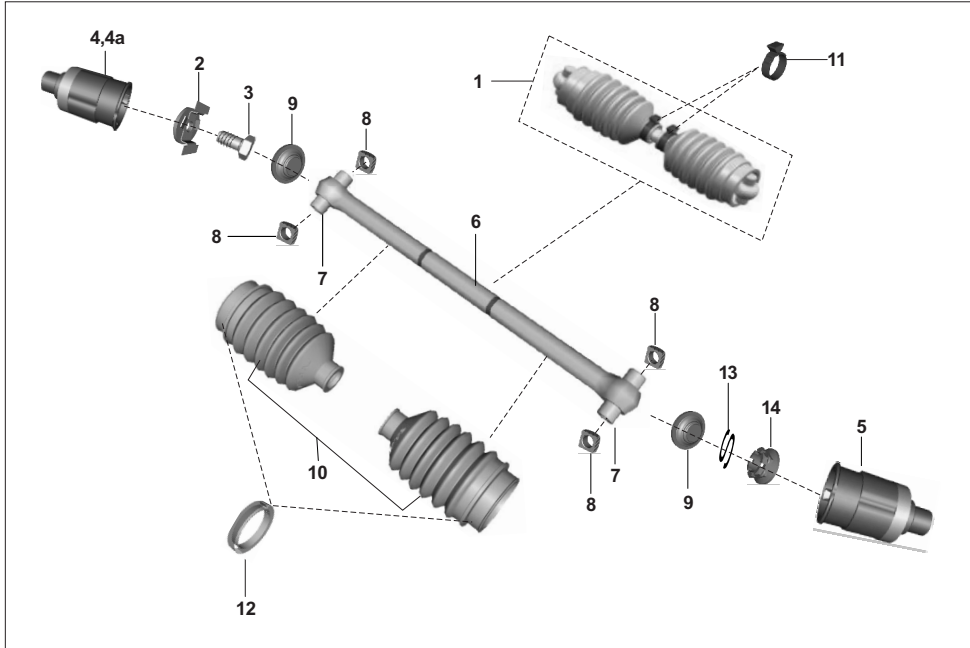
No.	Part No.	Description	COMPACT			COMPACT+		CARGO	Remarks
			AA	AF	AM	AZ	RA	AN	
1	AN141053	Assly fuel tank with cap	-	-	-	-	-	1	
2	24141194	Assly cap	-	-	-	-	-	1	
3	CS141005	Washer cap fuel tank	-	-	-	-	-	1	
4	AN141047	Assly pipe tank to filter with clip	-	-	-	-	-	1	
5	AN141008	Assly pipe tank to filter	-	-	-	-	-	1	
6	33141008	Clamp	-	-	-	-	-	5	
7	33141007	Clamp	-	-	-	-	-	1	
8	BF172126	Clamp hose CNG	-	-	-	-	-	1	
9	DG201057	Collar	-	-	-	-	-	3	
10	KCGA0606	Nut hex flanged	-	-	-	-	-	3	
11	AN141049	Assly pipe filter to solenoid	-	-	-	-	-	1	
12	24121652	Filter fuel	-	-	-	-	-	1	
13	AN141050	Assly pipe solenoid_carburettor	-	-	-	-	-	1	
14	39079815	Nut hexagon with flange M6	-	-	-	-	-	1	
15	RA402601	Solenoid petrol	-	-	-	-	-	1	

AA - Compact PET  
AF - Compact CNG  
AM - Compact LPG



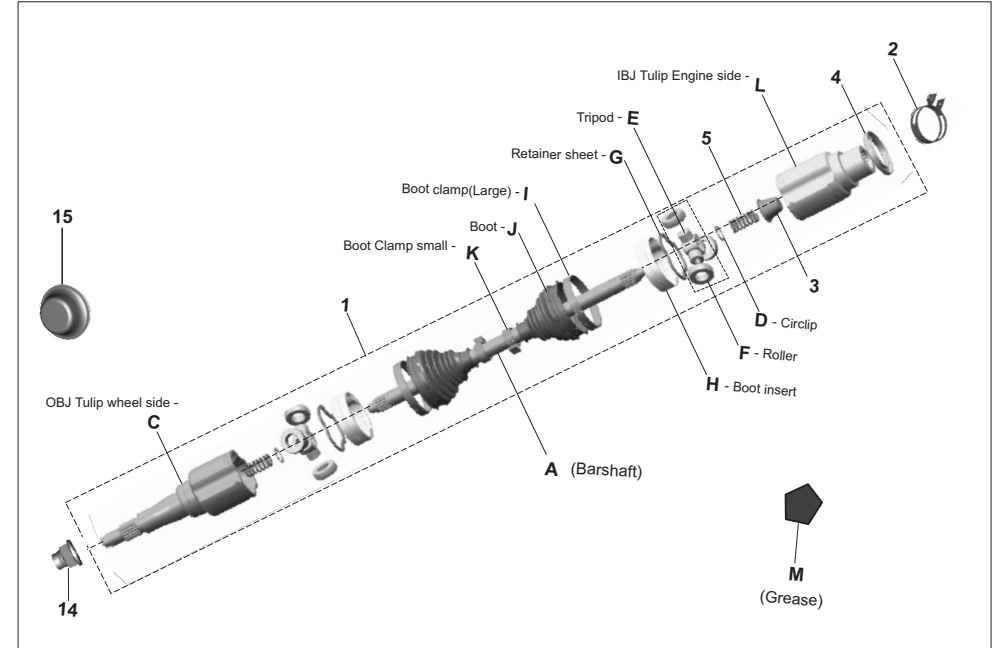
No.	Part No.	Description	COMPACT			COMPACT+		CARGO	Remarks
			AA	AF	AM	AZ	RA	AN	
1	JH582200	Assembly sai unit	1	1	1	1	1	1	
1	PD582200	Assembly sai unit	1	1	1	1	1	1	fr.21.07.2017
2	AZ582200	Bracket for sai unit mtg	1	1	1	1	1	1	
3	KAED0620	Bolt-flange	2	2	2	2	2	2	
4	DG141019	Damper	2	2	2	2	2	2	
5	PA111250	Coll special	2	2	2	2	2	2	
6	AA121290	Tube s.a.i. Inlet	1	1	1	-	-	-	
6	AZ582400	Tube sai inlet-1	-	-	-	1	1	-	
6	AT581054	Tube sai inlet	-	-	-	-	-	1	
7	AA121282	Tube s.a.i. Outlet	1	1	1	1	1	1	
8	AA121291	Tube vacuum	1	1	1	1	1	1	
9	24121333	Clip for vacuum hose	2	2	2	2	2	2	
10	24121476	Spring clamp dia. 16.8 x W12	4	4	4	4	4	4	
11	AA102151	Bracket sai filter mounting	1	1	1	1	1	1	
12	DS161224	Bolt - stepped with flange	2	2	2	2	2	2	
13	JE582604	Assembly sai filter D106A	1	1	1	1	1	1	
14	AA121304	Tube inlet - sai filter	1	1	1	-	-	-	
14	AN121242	Tube -inlet-sai filter	-	-	-	1	1	1	
15	DG121040	Clamp	2	2	2	2	2	2	
16	JE582603	Foam sai filter D106A	1	1	1	1	1	1	
17	JE582602	Ring o sai filter D106A	1	1	1	1	1	1	
18	KBRA4819	Screw tapping pan cross	1	1	1	1	1	1	

AZ - Compact+ CNG  
RA - Compact+ LPG  
AN - Cargo CNG



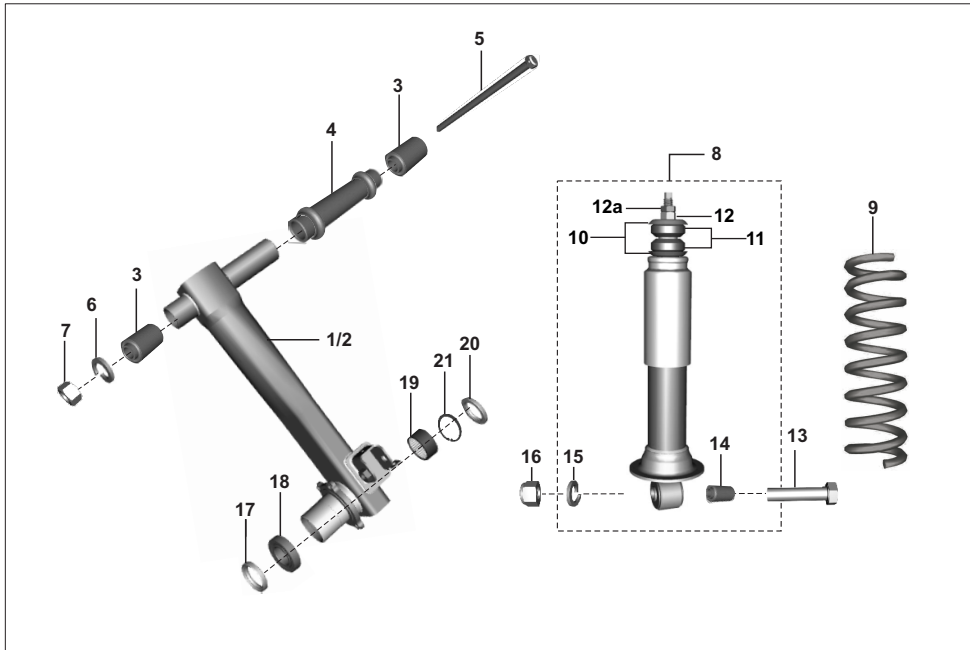
No.	Part No.	Description	COMPACT			COMPACT+		CARGO	Remarks
			AA	AF	AM	AZ	RA	AN	
1	24102002	Assembly propeller shaft comp	2	2	2	-	-	-	
2	24171014	Lock washer assly	2	2	2	-	-	-	
3	39011904	Bolt	2	2	2	-	-	-	
4	AA101722	Flange assly (diff. gear side)	1	1	1	-	-	-	
4a	AA101721	Flange assly( Satellite gear )	1	1	1	-	-	-	
5	AY141202	Flange (wheel side)	2	2	2	-	-	-	
6	24102003	Shaft propeller with pins	2	2	2	-	-	-	
7	BA133057	Pin for propeller shaft	2	2	2	-	-	-	alt-36BA4043
8	BA133064	Slider block	8	8	8	-	-	-	alt-36BA4043
9	BA133062	Rubber buffer	4	4	4	-	-	-	
10	BA133058	Rubber bellow - wheel side	4	4	4	-	-	-	
11	BA133061	Clamp low profile	4	4	4	-	-	-	
12	BA133066	Clamp ear - omega	4	4	4	-	-	-	
13	24171066	Spring clip	2	2	2	-	-	-	
14	39118215	Nut	2	2	2	-	-	-	
15	36BA4043	Kit slider block with pin	4	4	4	-	-	-	
16	36BA4035	Kit Buffer rubber( dura block)	4	4	4	-	-	-	
17	36BA4036	Kit Grease	4	4	4	-	-	-	

AA - Compact PET  
AF - Compact CNG  
AM - Compact LPG

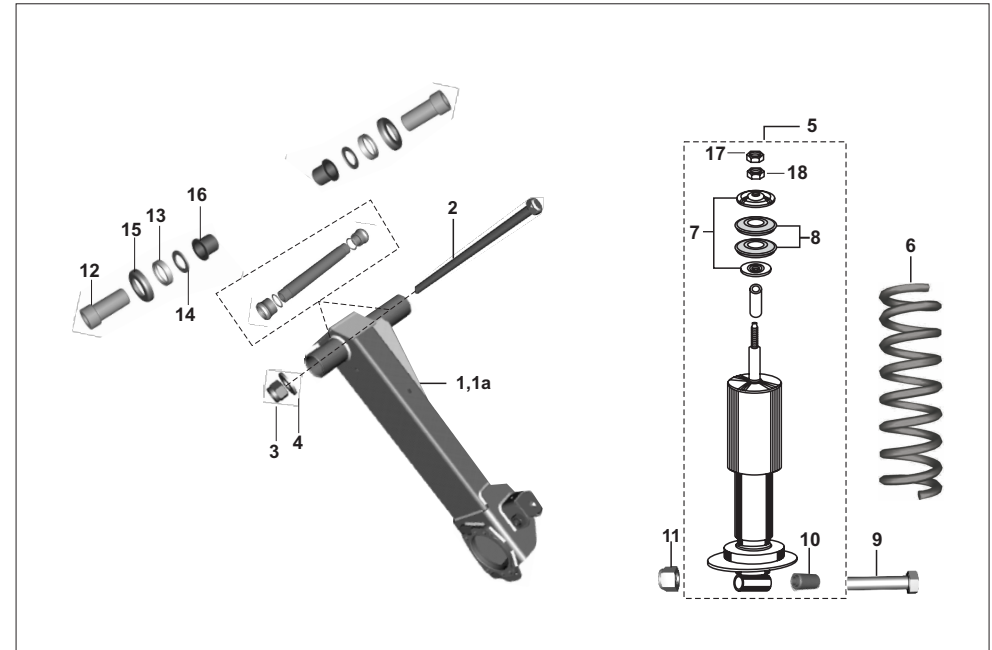


No.	Part No.	Description	COMPACT			COMPACT+		CARGO	Remarks
			AA	AF	AM	AZ	RA	AN	
1	AZ141221	Assly drive shaft	-	-	-	2	2	-	
1	AN101407	Drive shaft assly	-	-	-	-	-	2	
2	BH551800	Clip lock drive shaft	-	-	-	2	2	2	
3	BH551420	Plug	-	-	-	1	1	1	
4	BH551421	Dustshield	-	-	-	1	1	1	
5	BH551409	Spring	-	-	-	2	2	2	
6	36BH0036	Kit boot- all ktek	-	-	-	4	4	4	J,I,K,M Kit-19
7	36BH0037	Kit Boot & Retainer ktek	-	-	-	4	4	4	J,I,K,M,G,H Kit-20
8	36BH0008	kit OBJ max	-	-	-	2	2	2	C,I,K,M Kit-40
9	36BH0010	Kit OBJ & tripod max	-	-	-	2	2	2	C,I,K,M,E,F,D Kit-59
10	36BH0030	Kit IBJ	-	-	-	2	2	2	L,I,K,M Kit-17
11	36BH0031	Kit IBJ & Tripod	-	-	-	2	2	2	L,I,K,M,E,F,D(new)k-18
12	36AZ0023	Kit barshaft ktek	-	-	-	2	2	-	A,D,I,K(new) Kit-13
12	36AN0028	Kit barshaft an101419	-	-	-	-	-	2	Kit-12
13	36BH0019	Kit roller	-	-	-	2	2	2	Kit-16
14	BF131707	Nut axle M16	-	-	-	2	2	2	
15	BH131206	Cap hub rear FL	-	-	-	1	1	-	

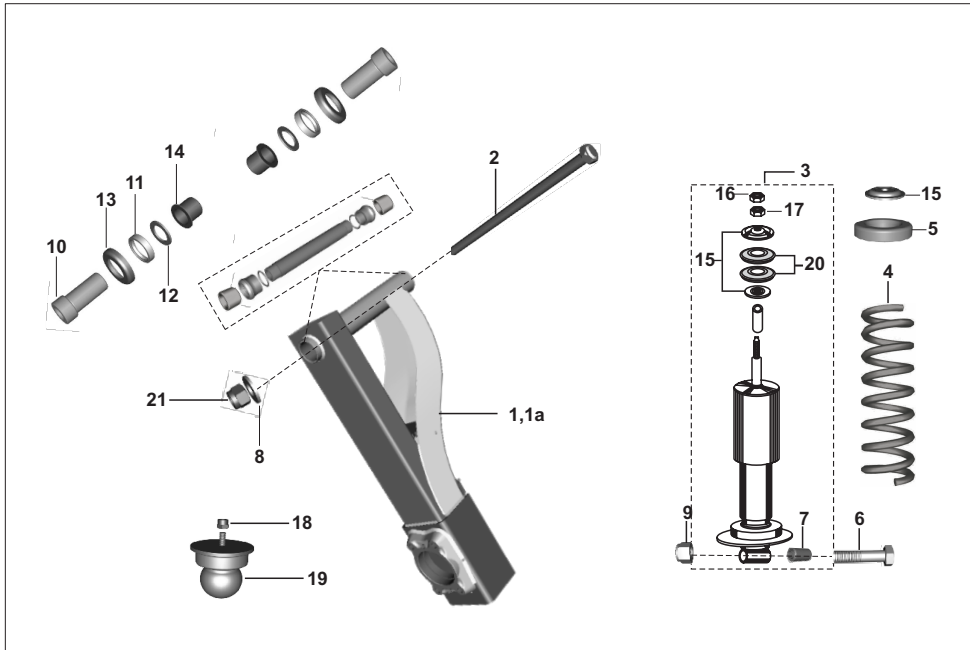
AZ - Compact+ CNG  
RA - Compact+ LPG  
AN - Cargo CNG



No.	Part No.	Description	COMPACT			COMPACT+		CARGO	Remarks
			AA	AF	AM	AZ	RA	AN	
1	24171179	Tralling arm assly LH	1	1	1	-	-	-	
2	24171180	Trailing arm assly RH	1	1	1	-	-	-	
3	AA171006	Bush-silent for trailing arm	2	2	2	-	-	-	
4	AA171022	Distance piece assly	2	2	2	-	-	-	
5	AA171011	Pivot pin trailing arm	2	2	2	-	-	-	
6	39026912	Spring washer	2	2	2	-	-	-	
7	KCAD1411	Nut	2	2	2	-	-	-	
8	24171094	Rear shock absorber assly	2	2	2	-	-	-	
9	24170508	Rear suspension spring	2	2	2	-	-	-	
10	24170505	Cup washer top side	4	4	4	-	-	-	
11	24171055	Rubber bush - cup washer	4	4	4	-	-	-	
12	KCAD1008	Nut hex thick	2	2	2	-	-	-	
12a	KCBD1006	Nut hex thin	2	2	2	-	-	-	
13	24170507	Bolt flange guiding m12x1.25	2	2	2	-	-	-	
14	24171197	Mounting rubber sleeve	2	2	2	-	-	-	
15	39026912	Spring washer	2	2	2	-	-	-	
16	39260715	Nut	2	2	2	-	-	-	
17	24171024	Seal 41x60x7	2	2	2	-	-	-	
18	01100342	Bearing 30X55X13-Rear Hub	2	2	2	-	-	-	
19	59200012	Bearing - needle (SL 35 20 )	2	2	2	-	-	-	
20	22171007	Seal - oil	2	2	2	-	-	-	
21	39034217	Internal circlip	1	1	1	-	-	-	

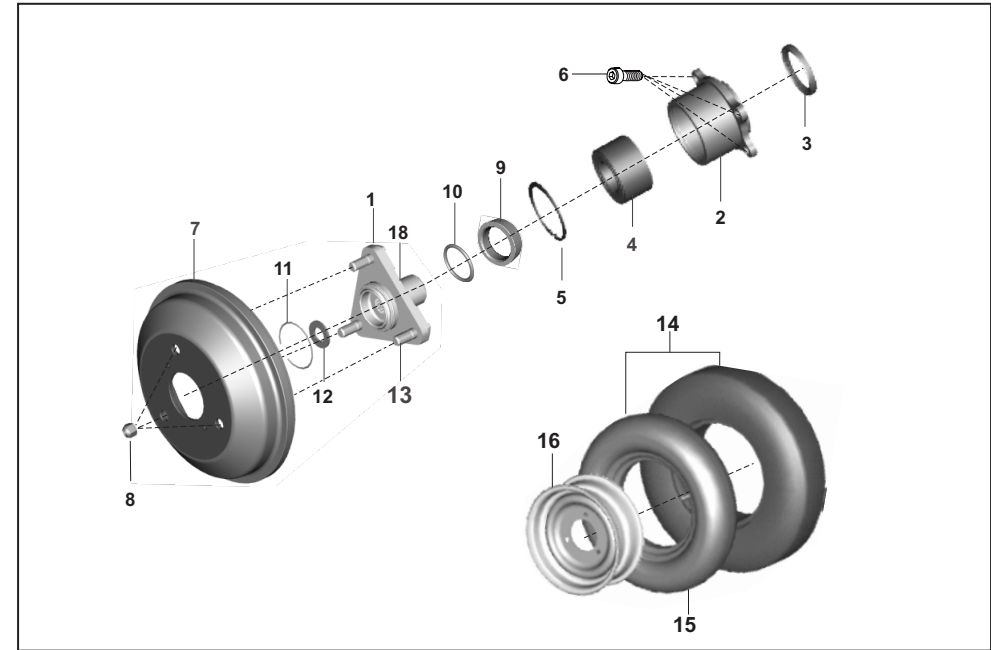


No.	Part No.	Description	COMPACT			COMPACT+		CARGO	Remarks
			AA	AF	AM	AZ	RA	AN	
1	36BH0048	TA with distance piece-igus LH	-	-	-	1	1	-	
1a	36BH0049	TA assly with distance piece RH	-	-	-	1	1	-	
2	BH122002	Pivot pin trailing arm	-	-	-	2	2	-	
3	KCHC1417	Nut	-	-	-	2	2	-	
4	39256611	Plain washer	-	-	-	2	2	2	
5	BA171009	Rear shock absorber assly	-	-	-	2	2	-	
6	BH122000	Rear suspension spring	-	-	-	2	2	-	
7	BA171008	Cup washer top side	-	-	-	4	4	-	
8	BA171007	Rubber bush - cup washer	-	-	-	4	4	-	
9	24170507	Bolt	-	-	-	2	2	2	
10	BB171036	Bush rr shocker pre compressed	-	-	-	2	2	2	
11	39260715	Nut ylock	-	-	-	2	2	2	
12	BH122025	Sleeve inner trailing arm	-	-	-	4	4	4	
13	JG122012	Oil seal	-	-	-	4	4	4	
14	BH122030	Stopper disc traling arm	-	-	-	4	4	4	
15	AL171153	Cover pivot tube ta igus	-	-	-	4	4	4	
16	BH122026	Bush igus trailing arm	-	-	-	4	4	4	
17	KCBD1006	Nut hex thin	-	-	-	2	2	2	
18	KCAD1008	Nut hex thick	-	-	-	2	2	2	



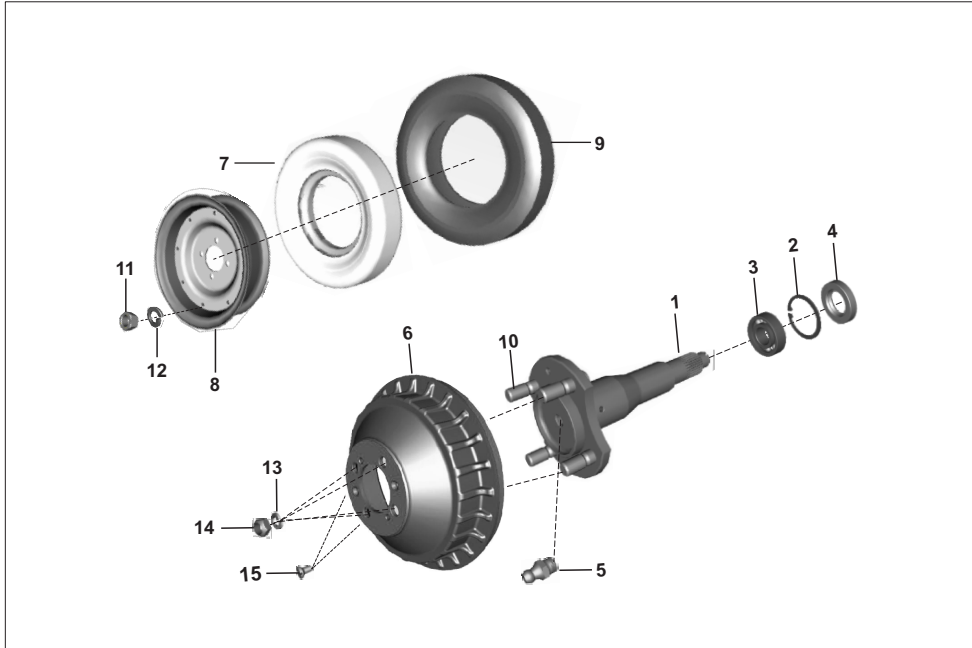
No.	Part No.	Description	COMPACT			COMPACT+		CARGO	Remarks
			AA	AF	AM	AZ	RA	AN	
1	36BB0059	TA arm with distance piece LH	-	-	-	-	-	1	alt- Al171020
1a	36BB0060	TA arm with distance piece RH	-	-	-	-	-	1	
2	AL171158	Bolt trailing arm pivot	-	-	-	-	-	2	
3	AL171138	Assembly rear shockabsorber	-	-	-	-	-	2	
4	BB171038	Spring rear suspension	-	-	-	-	-	2	
5	AL171150	Rubber seat spring rear	-	-	-	-	-	2	
6	24170507	Bolt for shock absorber	-	-	-	-	-	2	
7	BB171036	Bush rr shocker pre compressed	-	-	-	-	-	2	
8	39256611	Plain washer	-	-	-	-	-	2	
9	39260715	Nut ylock	-	-	-	-	-	2	
10	BH122025	Sleeve inner trailing arm	-	-	-	-	-	4	
11	JG122012	Oil seal	-	-	-	-	-	4	
12	BH122030	Stopper disc traling arm	-	-	-	-	-	4	
13	AL171153	Cover pivot tube ta igus	-	-	-	-	-	4	
14	BH122026	Bush igus trailing arm	-	-	-	-	-	4	
15	BF122056	Rebound washer	-	-	-	-	-	4	
16	KCBD1006	Nut hex thin	-	-	-	-	-	2	
17	KCAD1008	Nut hex thick	-	-	-	-	-	2	
18	AL171017	Damper-rubber rear suspension	-	-	-	-	-	2	
19	39069015	Nut - nyloc	-	-	-	-	-	2	
20	BA171007	Bush - rubber :- rr shockabsorber	-	-	-	-	-	4	
21	KCHC1417	Nut nyloc	-	-	-	-	-	2	

AA - Compact PET  
AF - Compact CNG  
AM - Compact LPG



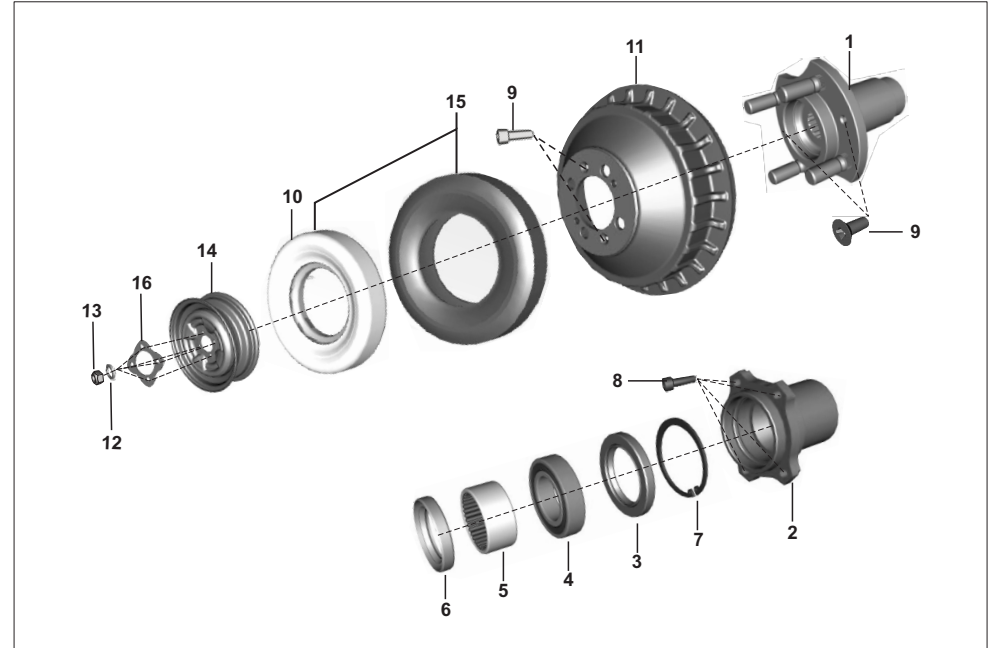
No.	Part No.	Description	COMPACT			COMPACT+		CARGO	Remarks
			AA	AF	AM	AZ	RA	AN	
1	AL151249	Assly drive flange	-	-	-	-	-	2	NS
2	BB151030	Rear hub	-	-	-	-	-	2	
3	BB151034	Seal	-	-	-	-	-	2	
4	BB151031	Bearing 30X55X13-rear hub	-	-	-	-	-	2	
5	KEBB6825	Circlip	-	-	-	-	-	2	
6	LAC00044	Bolt - Socket - M-8	-	-	-	-	-	8	
7	AL151242	Drum brake rear	-	-	-	-	-	2	
8	AL151252	Nut conical m12 wheel nut	-	-	-	-	-	6	
9	BB133066	Sleeve drive shaft	-	-	-	-	-	2	
10	KJAA3035	O ring	-	-	-	-	-	2	
11	AL151254	Circlip for AL151151	-	-	-	-	-	2	
12	KDBA1632	Washer plain	-	-	-	-	-	2	
13	AL171066	Bolt for axle	-	-	-	-	-	6	
14	AL151017	Tyre with tube 4.5 x 10	-	-	-	-	-	4	
15	AL151019	Tube	-	-	-	-	-	4	
16	AL151246	Assly rim	-	-	-	-	-	4	

AZ - Compact+ CNG  
RA - Compact+ LPG  
AN - Cargo CNG



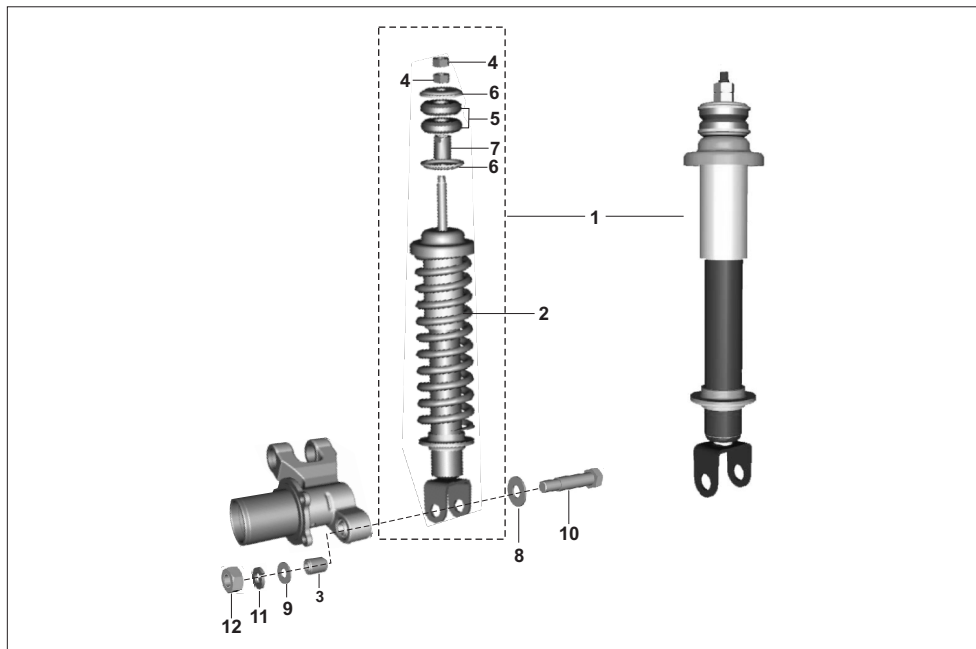
No.	Part No.	Description	COMPACT			COMPACT+		CARGO	Remarks
			AA	AF	AM	AZ	RA	AN	
1	24171118	Assly rear axle	2	2	2	-	-	-	
2	39034217	Internal circlip	1	1	1	-	-	-	
3	01100342	Bearing ball	1	1	1	-	-	-	
4	24171024	Seal - oil 48 dia.1	1	1	1	-	-	-	
5	24171075	Nipple - grease	2	2	2	-	-	-	
6	22151106	Brake drum rear	2	2	2	-	-	-	
7	21150306	Tube for tyre - 4.00 X 8	4	4	4	-	-	-	NS
8	52240764	Wheel rim assly. 24151110	4	4	4	-	-	-	
9	21150307	Tyre 4.00X8"	4	4	4	-	-	-	NS
10	22170434	Bolt for axle	4	4	4	-	-	-	
11	39095615	Nut - hexagon :- M8 x 1.25	8	8	8	-	-	-	
12	39182812	Washer spring	8	8	8	-	-	-	
13	KDDB1018	Washer spring	12	12	12	-	-	-	alt-39182912
14	LCA00010	Nut hex	12	12	12	-	-	-	alt-39031215
15	KBCA0410	Slot csk HD screw	2	2	2	-	-	-	

AA - Compact PET  
AF - Compact CNG  
AM - Compact LPG



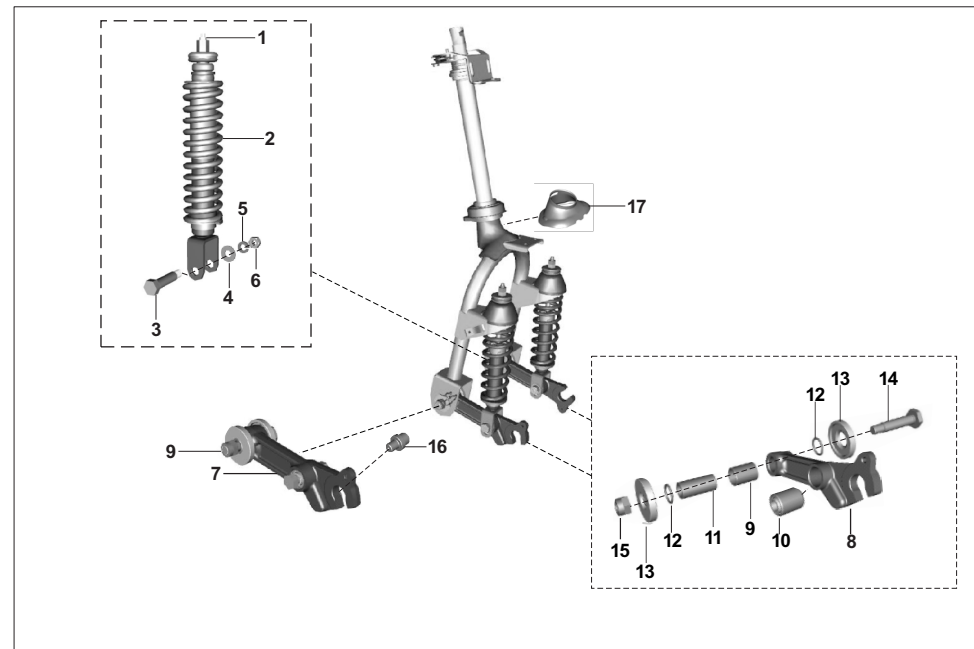
No.	Part No.	Description	COMPACT			COMPACT+		CARGO	Remarks
			AA	AF	AM	AZ	RA	AN	
1	BH131204	Assly drive flange	-	-	-	2	2	-	
2	BH131203	Rear hub	-	-	-	2	2	-	
3	BF131723	Seal 41x60x7	-	-	-	2	2	-	
4	BF131722	Bearing 30X55X13-Rear Hub	-	-	-	2	2	-	
5	59200012	Bearing - needle (SL 35 20 )	-	-	-	2	2	-	
6	22171007	Seal - oil	-	-	-	2	2	-	
7	KEBB5520	Internal circlip	-	-	-	2	2	-	
8	LAC00035	Bolt-socket-m8	-	-	-	8	8	-	
9	KBCA0410	Screw - slotted head :- M4	-	-	-	4	4	-	
10	BF131428	Tube 4.00D x 10	-	-	-	1	1	-	NS
11	22151106	Brake drum rear	-	-	-	2	2	-	
12	39182912	Washer - spring	-	-	-	12	12	-	
13	39031215	Nut - hexagon :- M10 X 1.5	-	-	-	12	12	-	
14	BH131002	Rim wheel 3.0 B X 10	-	-	-	4	4	-	
15	BH131010	Tyre with tube 6-pr	-	-	-	4	4	-	
16	BH131211	Washer plain special	-	-	-	3	3	-	

AZ - Compact+ CNG  
RA - Compact+ LPG  
AN - Cargo CNG



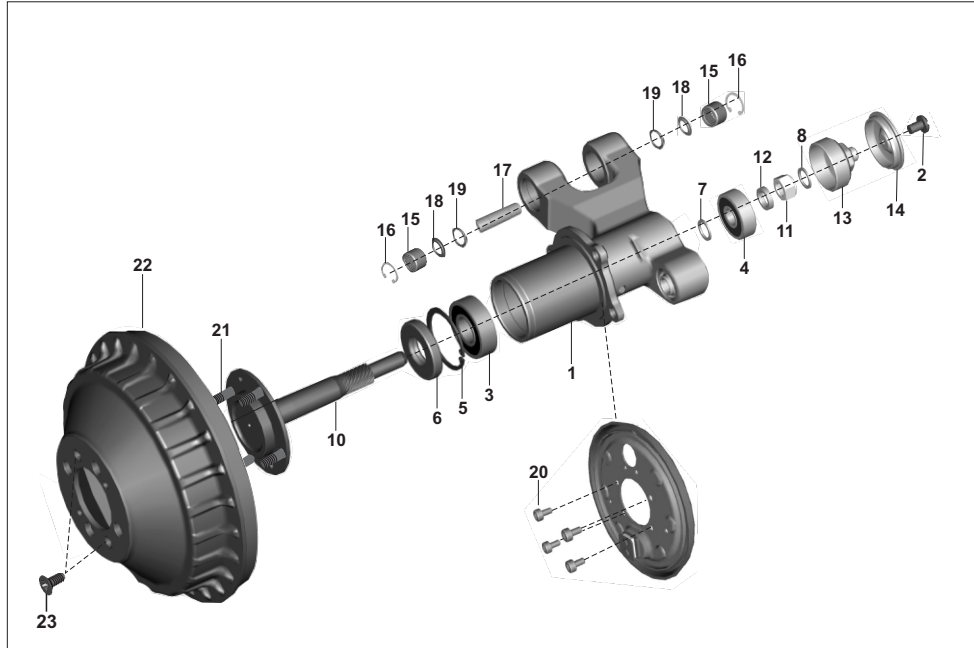
No.	Part No.	Description	COMPACT			COMPACT+		CARGO	Remarks
			AA	AF	AM	AZ	RA	AN	
1	AB171044	Front shock absorber	1	1	1	-	-	-	
2	AB171017	Spring front suspension	1	1	1	-	-	-	
3	AB171016	Bush	1	1	1	-	-	-	
4	39029515	Hexagon nut	2	2	2	-	-	-	
5	AB171013	Top rubber bush	2	2	2	-	-	-	
6	AB171014	Locating cup rubber bush	2	2	2	-	-	-	
7	AB171015	Spacer nut spring cup	1	1	1	-	-	-	
8	39054311	Plain washer	1	1	1	-	-	-	
9	39105411	Plain washer	1	1	1	-	-	-	
10	AB171031	Shoulder bolt	1	1	1	-	-	-	
11	39078912	Washer spring	1	1	1	-	-	-	
12	39029615	Hexagon nut	1	1	1	-	-	-	

AA - Compact PET  
AF - Compact CNG  
AM - Compact LPG



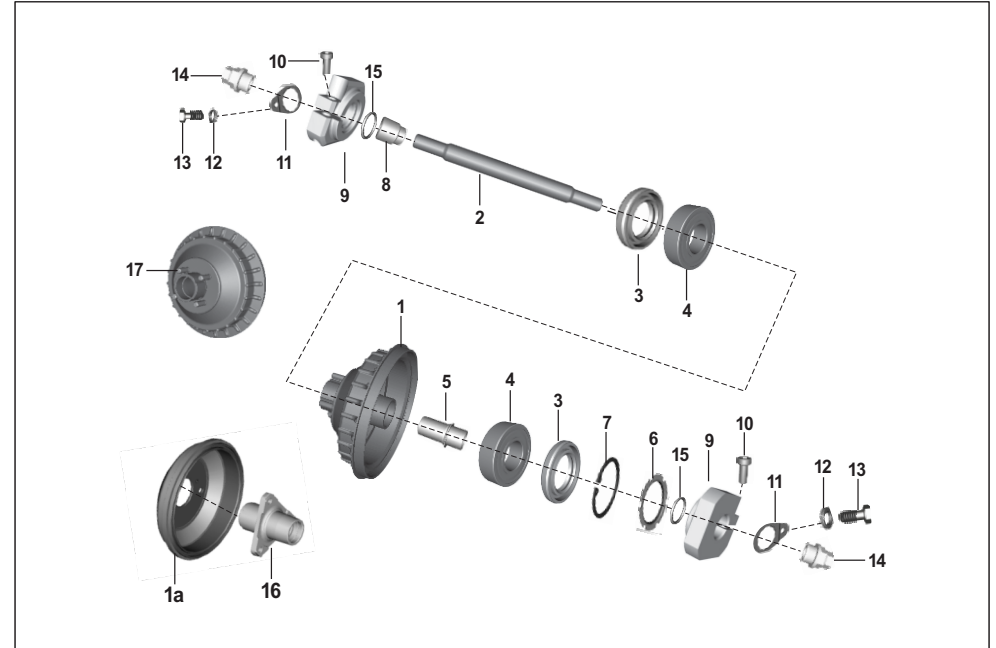
No.	Part No.	Description	COMPACT			COMPACT+		CARGO	Remarks
			AA	AF	AM	AZ	RA	AN	
1	BH121004	Assly front damper	-	-	-	2	2	-	
1	AL171139	Assly front shock absorber	-	-	-	-	-	2	
2	BH121005	Spring Fr. suspension	-	-	-	2	2	-	
2	AL171045	Spring Fr. suspension	-	-	-	-	-	2	
3	39251604	Shoulder bolt	-	-	-	2	2	2	
4	39105411	Plain washer	-	-	-	2	2	2	
5	39078912	Spring washer	-	-	-	2	2	2	
6	39029615	Hexagon Nut	-	-	-	2	2	2	
7	AL171093	Link-RH assly	-	-	-	1	1	-	
8	AL171091	Link-LH assly	-	-	-	1	1	1	
9	AL171095	Bearing sleeve-Igus bush	-	-	-	2	2	2	
10	AB171016	Bush	-	-	-	2	2	2	
11	AL171081	Bush link pivot	-	-	-	2	2	2	
12	39156421	"O" Ring	-	-	-	4	4	4	
13	AL171104	Cap link pivot	-	-	-	4	4	4	
14	AL171051	Bolt for link pivot	-	-	-	2	2	2	
15	39093915	Hex nyloc nut	-	-	-	2	2	2	
16	AL171058	Locking pin	-	-	-	2	2	-	
17	BB161107	Rubber bellow	-	-	-	-	-	1	

AZ - Compact+ CNG  
RA - Compact+ LPG  
AN - Cargo CNG



No.	Part No.	Description	COMPACT			COMPACT+		CARGO	Remarks
			AA	AF	AM	AZ	RA	AN	
1	AA151047	Front wheel hub assly	1	1	1	-	-	-	
2	KBBA0406	Screw - pan slotted	1	1	1	-	-	-	
3	39255020	Ball bearing	1	1	1	-	-	-	
4	39236220	Bearing	1	1	1	-	-	-	
5	KEBB4717	Intrnal circlip	1	1	1	-	-	-	
6	22170115	Oil seal	1	1	1	-	-	-	
7	22170118	Spacer	1	1	1	-	-	-	
8	22170118	Washer - plain	1	1	1	-	-	-	
10	24151266	FR wheel axle assly	1	1	1	-	-	-	
11	59150003	U Nut M12	1	1	1	-	-	-	
12	AA151049	Spacer	1	1	1	-	-	-	Alt - 22170118
13	AB171022	Grease cup nut	1	1	1	-	-	-	
14	AB171023	Cap-FR wheel hub	1	1	1	-	-	-	
15	AB171020	Needle bush	2	2	2	-	-	-	
16	39235717	Internal circlip	2	2	2	-	-	-	
17	24171129	Pivot pin fr wh hub	1	1	1	-	-	-	
18	24171138	Spacer	2	2	2	-	-	-	
19	30101185	Ring O	2	2	2	-	-	-	
20	24171117	Bolt hexagon with flange	4	4	4	-	-	-	
21	03100718	Bolt for rear wheel flange	4	4	4	-	-	-	
22	22151106	Brake drum	1	1	1	-	-	-	
23	KBCA0410	Slot csk hd screw	2	2	2	-	-	-	

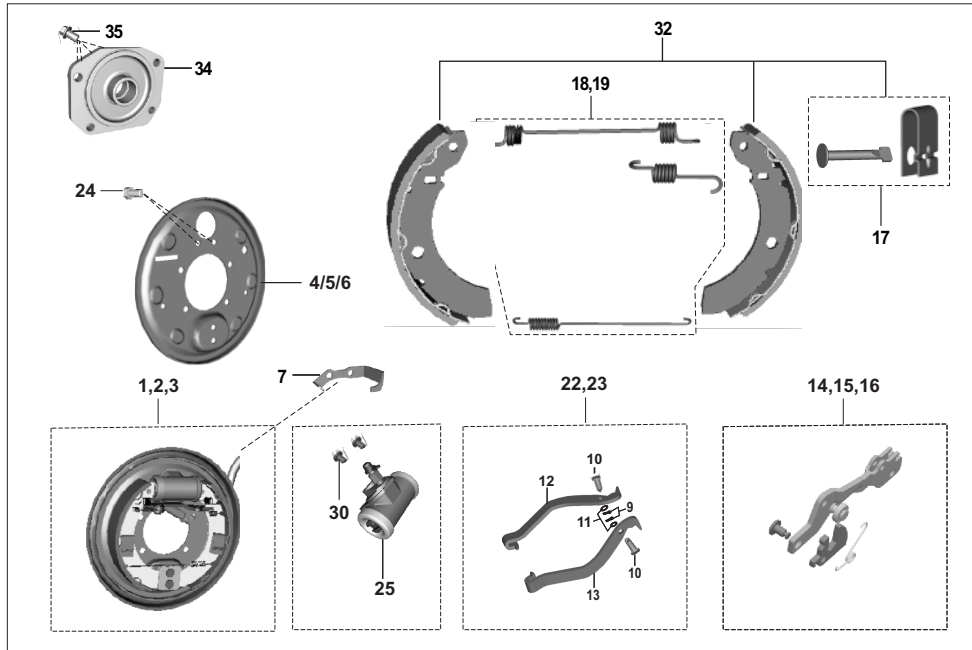
AA - Compact PET  
AF - Compact CNG  
AM - Compact LPG



No.	Part No.	Description	COMPACT			COMPACT+		CARGO	Remarks
			AA	AF	AM	AZ	RA	AN	
1	AP151021	Drum brake front	-	-	-	1	1	-	
1a	AL151242	Drum brake front	-	-	-	-	-	1	
2	AP151002	Front Wheel Axle	-	-	-	1	1	-	
2	AL151004	Front Wheel Axle	-	-	-	-	-	1	
3	39173719	Seal - Oil :- 26 X 42 X 8	-	-	-	2	2	2	
4	39224020	Ball Bearing	-	-	-	2	2	2	
5	AP151025	Distance piece assly	-	-	-	1	1	-	
5	AL151005	Assly distance piece	-	-	-	-	-	1	
6	AL151007	Collar	-	-	-	1	1	1	
7	39246417	Circlip	-	-	-	1	1	-	
7	KEBB4217	Circlip internal	-	-	-	-	-	1	
8	BH131600	Spacer assly.	-	-	-	1	1	-	
8	AL151008	Spacer assly	-	-	-	-	-	1	
9	AL151089	Special Nut-M16	-	-	-	2	2	2	
10	39203804	Hex socket head bolt	-	-	-	4	4	4	
11	AL151012	Locking Clip	-	-	-	2	2	2	
12	39026312	Spring washer	-	-	-	2	2	2	
13	39107901	Hex head screw	-	-	-	2	2	2	For locking clip
14	AL151011	Collar Nut	-	-	-	2	2	2	
15	KJAA2024	O ring	-	-	-	2	2	2	
16	AL151243	Hub front cargo	-	-	-	-	-	1	
17	24151239	Bolt wheel	-	-	-	4	4	-	

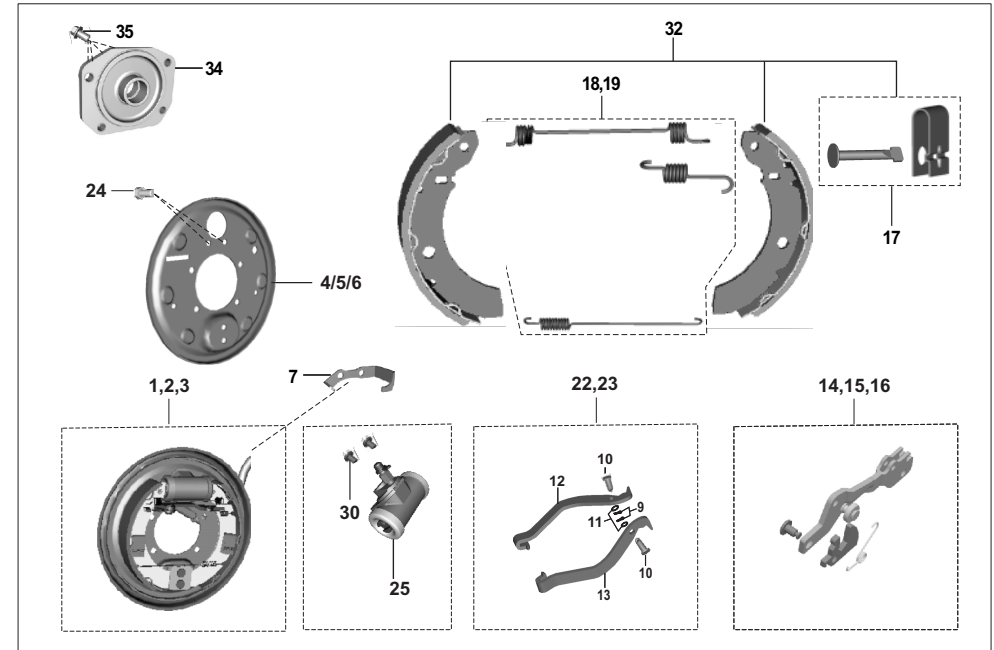
AZ - Compact+ CNG  
RA - Compact+ LPG  
AN - Cargo CNG





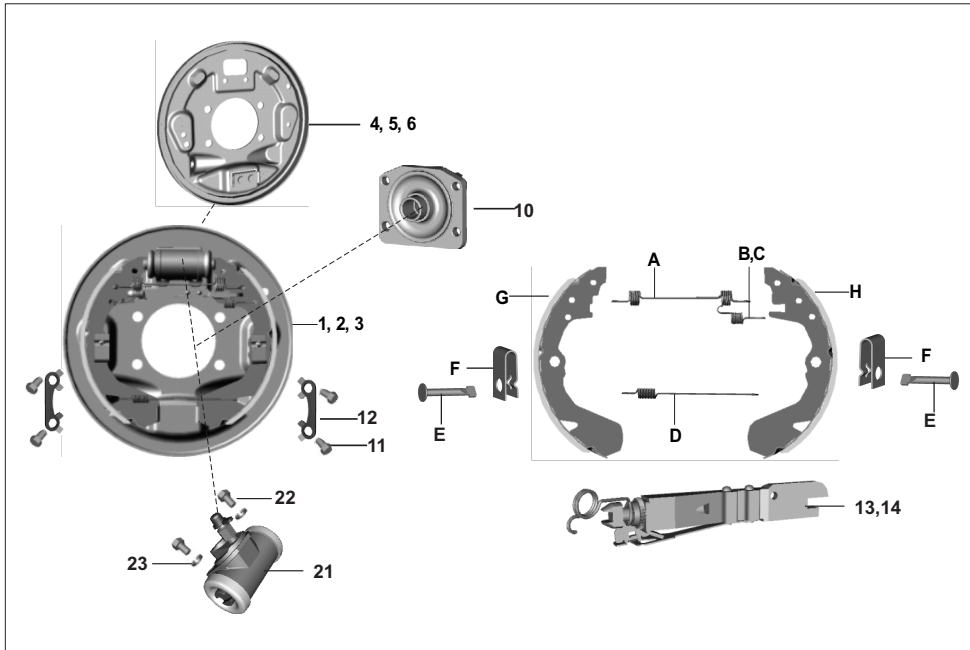
No.	Part No.	Description	COMPACT			COMPACT+		CARGO	Remarks
			AA	AF	AM	AZ	RA	AN	
1	24151243	Panel assly FR brake	1	1	1	-	-	-	
1	BH131006	Panel assly front	-	-	-	1	1	-	
2	BH131213	Panel assly RH	1	1	1	1	1	-	
3	BH131212	Panel assly LH	1	1	1	1	1	-	
4	AP151017	Back panel assly FR	1	1	1	1	1	-	
5	24151174	Back plate assly. LH	1	1	1	1	1	-	
6	24151178	Back panel assly RH	1	1	1	1	1	-	
7	24151245	Bracket hose guide front	1	1	1	-	-	-	
7	BH131011	Bracket hose guide front	-	-	-	1	1	-	
8	24151268	Brake shoe kit (ask lining)	3	3	3	3	3	-	
9	24151147	Pin split - hbl	2	2	2	2	2	-	
10	24151146	Pin pivot-park lever	1	1	1	1	1	-	
11	24151148	Washer- plain park lever	1	1	1	1	1	-	
12	BH131813	Lever parking brake LH	1	1	1	1	1	-	
13	BH131814	Lever parking brake RH	1	1	1	1	1	-	
14	24151179	Assly auto adjuster RH	1	1	1	1	1	-	
15	24151175	Assly auto adjuster LH	1	1	1	1	1	-	
16	24151168	Assly auto adjuster front	1	1	1	1	1	-	
17	24151172	Shoe clamp spring kit	3	3	3	3	3	-	
18	24151182	Spring kit RH	3	3	3	3	3	-	
19	24151173	Spring kit FR/LH	3	3	3	3	3	-	

AA - Compact PET  
AF - Compact CNG  
AM - Compact LPG



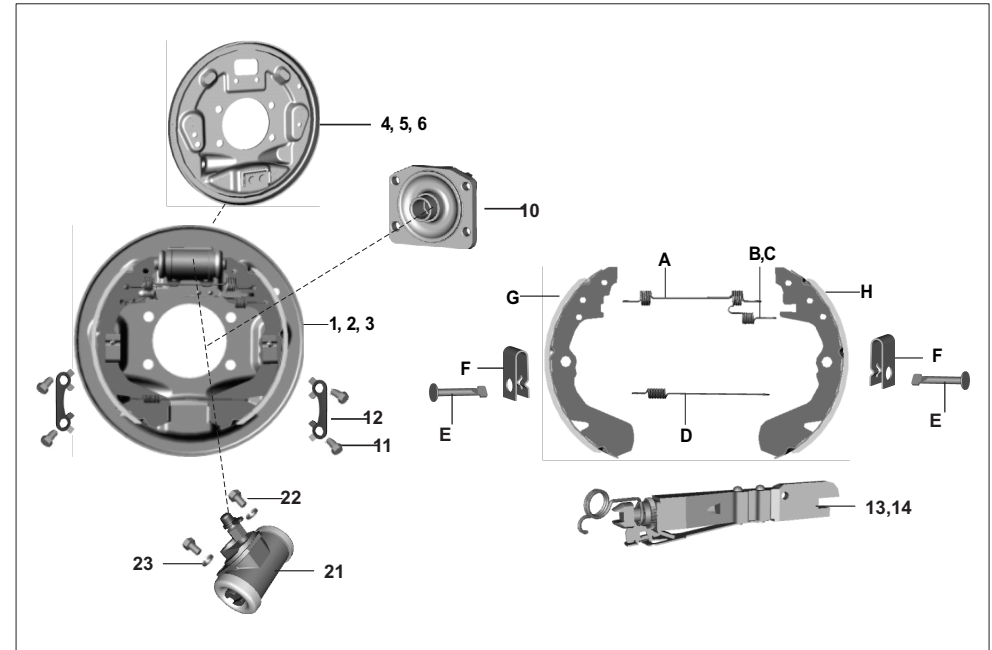
No.	Part No.	Description	COMPACT			COMPACT+		CARGO	Remarks
			AA	AF	AM	AZ	RA	AN	
20	24151170	Ratchet kit for fr & LH	2	2	2	2	2	-	
21	24151181	Ratchet kit RH	1	1	1	1	1	-	
22	24151177	Kit parking lever LH	1	1	1	1	1	-	
23	24151183	Kit parking lever RH	1	1	1	1	1	-	Kit-83
24	AL151054	Bolt	2	2	2	2	2	-	
25	24151163	Wheel cylinder FR	1	1	1	1	1	-	
25	24151164	Wheel cylinder RR	1	1	1	1	1	-	
26	24151107	Major kit fr	1	1	1	1	1	-	Kit-4
27	24151108	Minor kit fr	1	1	1	1	1	-	Kit-1
28	24151113	Major kit rr	1	1	1	1	1	-	Kit-3
29	24151114	Minor kit rr	1	1	1	1	1	-	Kit-2
30	AB151079	Screw - bleeder	1	1	1	1	1	-	
31	AL151052	Cap - bleeder 64	1	1	1	1	1	-	
32	24151171	Brake shoe kit with spring	1	1	1	1	1	-	
33	36BA4014	Wheel cylinder mtg kit	1	1	1	1	1	-	(screw 2,brk 1)
34	AP151031	Flange Backplate Fr	-	-	-	1	1	-	
35	39253404	Bolt - Hexagon Head M8	-	-	-	4	4	-	

AZ - Compact+ CNG  
RA - Compact+ LPG  
AN - Cargo CNG



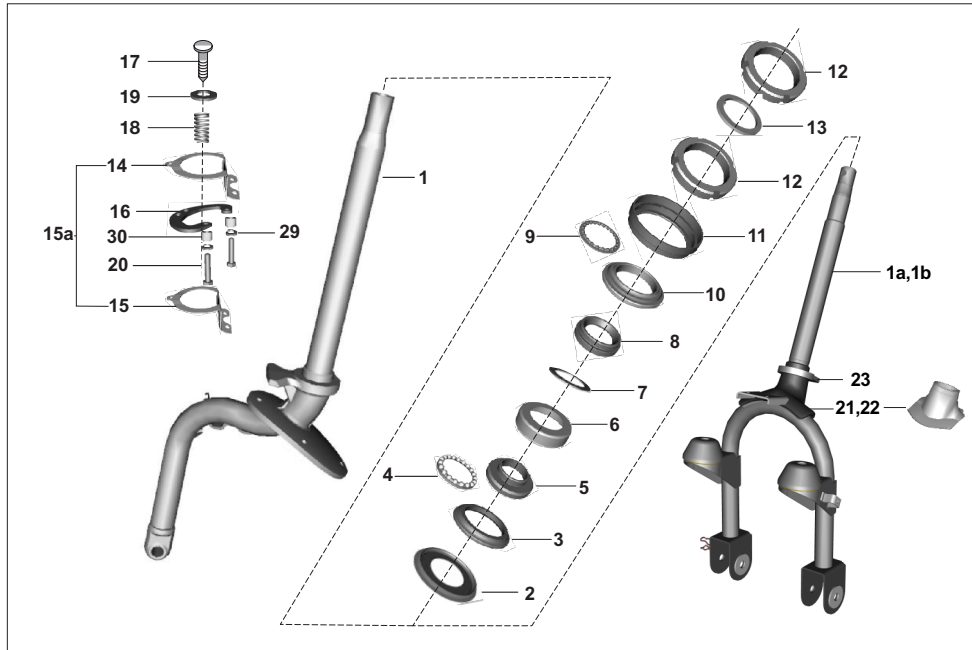
No.	Part No.	Description	COMPACT			COMPACT+		CARGO	Remarks
			AA	AF	AM	AZ	RA	AN	
1	AL151236	Panel Ass FR 3wh Cargo	-	-	-	-	-	1	
2	AL151238	Panel assly RH	-	-	-	-	-	1	
3	AL151237	Panel assly LH	-	-	-	-	-	1	
4	36AL0033	Back plate assly FR-AL151239	-	-	-	-	-	1	Kit-33
5	36AL0038	Back platel assly RH-BB151262	-	-	-	-	-	1	Kit-19
6	36AL0040	Back plate assly. LH Bb151261	-	-	-	-	-	1	Kit-20
7	BB151064	Shoe clamp spring kit	-	-	-	-	-	3	inc-E,F
8	BB151062	Spring kit fr. LH	-	-	-	-	-	3	inc-A,B,D
9	BB151063	Spring kit RH	-	-	-	-	-	3	inc-A,C,D
10	AL151266	Flange back plate cargo -	-	-	-	-	-	1	
11	39042304	Bolt hexagon head	-	-	-	-	-	4	
12	AL171053	Lock plate	-	-	-	-	-	2	
13	AL151194	Auto adjuster assly front	-	-	-	-	-	1	
14	AL151211	Auto adjuster assly LH	-	-	-	-	-	1	
15	36AL0050	Front brake shoe kit maxima	-	-	-	-	-	1	Incl-G,H,E,F Kit-23
16	36AL0051	Rear rh brake shoe kit maxima	-	-	-	-	-	1	Incl-G,H,E,F Kit-24
17	36AL0052	Rear lh brake shoe kit maxima	-	-	-	-	-	1	Incl-G,H,E,F Kit-25
18	36AL0030	Wheel cylinder major kit	-	-	-	-	-	3	Kit-15
19	36AL0029	Wheel cylinder minor kit	-	-	-	-	-	3	Kit-14
20	BF131904	Plug protection	-	-	-	-	-	2	

AA - Compact PET  
AF - Compact CNG  
AM - Compact LPG



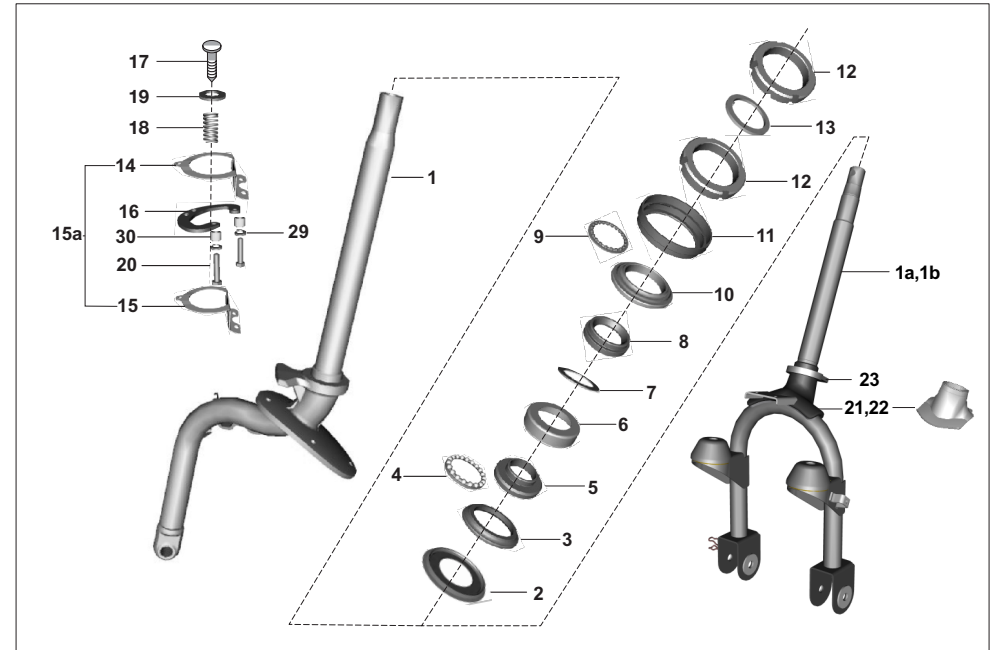
No.	Part No.	Description	COMPACT			COMPACT+		CARGO	Remarks
			AA	AF	AM	AZ	RA	AN	
21	AL151231	Assy wheel cylinder	-	-	-	-	-	3	
22	AL151205	Bolt wheel cylinder Mtg.	-	-	-	-	-	2	
23	BF131905	Washer spring	-	-	-	-	-	2	
24	AL151235	Assembly brake panel with flange	-	-	-	-	-	1	Incl-1&10

AZ - Compact+ CNG  
RA - Compact+ LPG  
AN - Cargo CNG



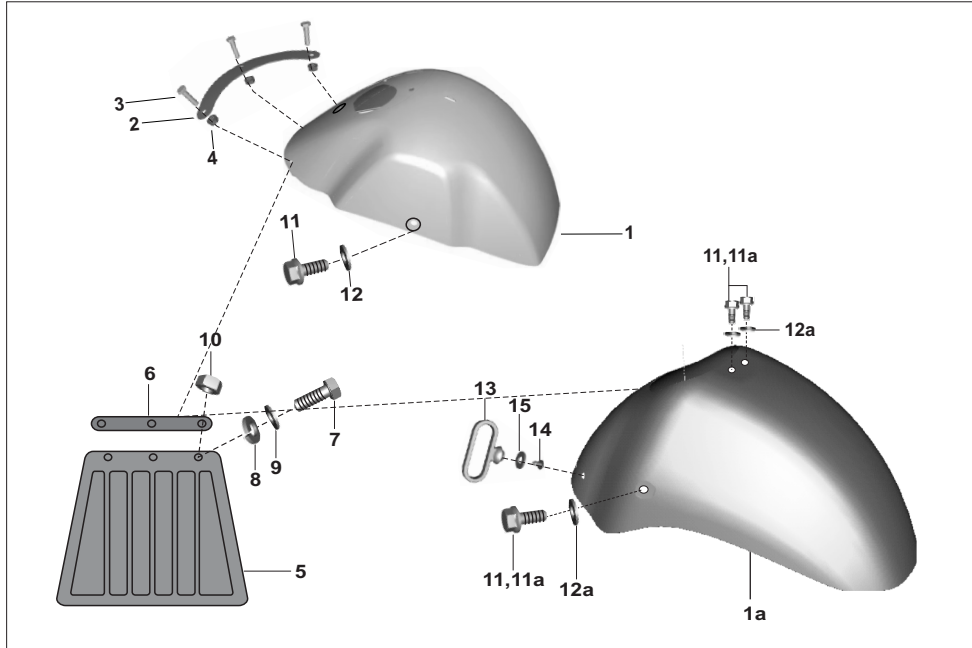
No.	Part No.	Description	COMPACT			COMPACT+		CARGO	Remarks
			AA	AF	AM	AZ	RA	AN	
1	AA171027	Assy steering column	1	1	1	-	-	-	
1a	BH151062	Fork assly	-	-	-	1	1	-	
1b	BB181012	Fork assly	-	-	-	-	-	1	
2	AA181023	Dust cover bottom	1	1	1	-	-	-	
2	BH151007	Cover dust lower	1	1	1	1	1	-	
2	AL181006	Cover - dust - bottom	-	-	-	-	-	1	
3	AA181022	Bearing race lower	1	1	1	1	1	-	
3	AL181004	Bearing race lower	-	-	-	-	-	1	
4	AB181012	Steel ball with cage lower	1	1	1	1	1	-	
4	AL181007	Cage with balls	-	-	-	-	-	1	
5	AB181033	Bearing race lower outer	1	1	1	1	1	-	
5	AL181003	Bearing race lower outer	-	-	-	-	-	1	
6	BH151008	Dust cover top	1	1	1	1	1	-	
6	AL181005	Cover - dust - top	-	-	-	-	-	1	
7	BH151009	Spacer fork front	1	1	1	1	1	-	
7	BB181010	Spacer fork front re445l	-	-	-	-	-	1	
8	AB181019	Bearing race upper outer	1	1	1	1	1	1	
9	AB181017	Steel ball with cage upper	1	1	1	1	1	-	
9	AL181009	Cage with balls -upper	-	-	-	-	-	1	
10	24181046	Bearing race-upper outer	1	1	1	1	1	1	
11	24161443	Dust cover	1	1	1	1	1	1	
12	24181047	Lock nut	2	2	2	2	2	2	

AA - Compact PET  
AF - Compact CNG  
AM - Compact LPG



No.	Part No.	Description	COMPACT			COMPACT+		CARGO	Remarks
			AA	AF	AM	AZ	RA	AN	
13	AB181020	Spacer washer bearing	1	1	1	1	1	1	
14	BH151065	Steering plate upper	1	1	1	1	1	-	
14	AB181023	Plate upper	-	-	-	-	-	1	
15	BH151066	Steering plate lower	1	1	1	1	1	-	
15	AB181022	Plate assembly lower	-	-	-	-	-	1	
16	22181058	Steering lock plate assly	1	1	1	1	1	1	
17	21180307	Knob	1	1	1	1	1	1	
18	21180308	Spring	1	1	1	1	1	1	
19	39019811	Washer plain	1	1	1	1	1	1	
20	KAAD0520	Bolt	2	2	2	2	2	-	
20	KAAD0525	Bolt	-	-	-	-	-	2	
21	BH111056	Rubber flap	-	-	-	1	1	-	
22	BB161107	Rubber bellow	-	-	-	-	-	1	
23	BH121002	Strap cable (210x6)	-	-	-	1	1	-	NI
24	36244085	Kit plate assly 14,15	1	1	1	1	1	-	
25	36244041	Kit steering cone upper	1	1	1	1	1	-	Kit-84
26	36AB4003	Kit lower steering cone lower	1	1	1	1	1	-	Kit-9
27	36AL0022	Kit steering cone upper	-	-	-	-	-	1	Kit-10
28	36AL0005	Kit lower steering cone lower	-	-	-	-	-	1	Kit-21
29	39026212	Washer - spring	2	2	2	2	2	2	
30	24181161	Spacer dampening plate	2	2	2	2	2	-	
30	BB151052	Spacer dampening plate	-	-	-	-	-	2	

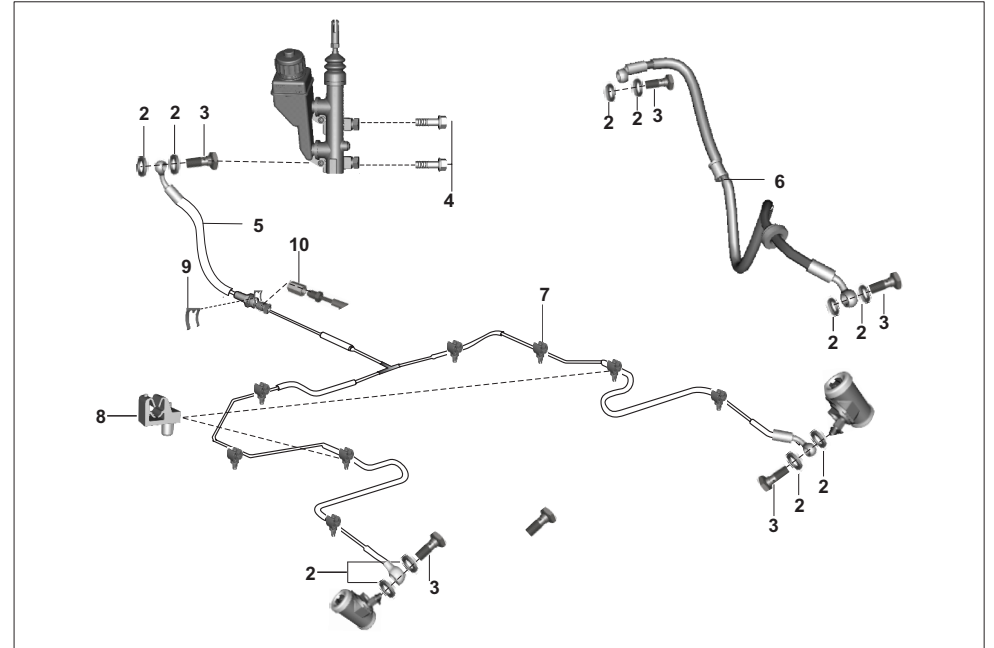
AZ - Compact+ CNG  
RA - Compact+ LPG  
AN - Cargo CNG



No.	Part No.	Description	COMPACT			COMPACT+		CARGO	Remarks
			AA	AF	AM	AZ	RA	AN	
1	52244040	Mudguard front AA161183/1288	1	1	1	-	-	-	
1a	52BB0075	Mudguard front BB161099	-	-	-	1	1	1	
2	AB161182	Plate check fr mud	1	1	1	-	-	-	
3	39106901	Hexagon head screw	3	3	3	-	-	-	
4	39081715	Hex nut	3	3	3	3	3	3	
5	24230185	Mudguard flap	1	1	1	-	-	-	
6	BB221015	Mudflap front	-	-	-	1	1	1	
5	24161176	Strip	2	2	2	2	2	2	
7	39007104	Screw	3	3	3	3	3	3	
8	39183012	Washer spring	3	3	3	3	3	3	
9	39019811	Washer plain	3	3	3	3	3	3	
10	39029115	Nut flange	3	3	3	3	3	3	
11	39194404	Bolt	2	2	2	2	2	2	
11a	KADB0616	Bolt flanged	-	-	-	-	-	4	alt- KADC0616
12	39242411	Plain washer	4	4	4	-	-	-	
12a	39121111	Washer plain	-	-	-	4	4	4	
13	DS161125	Cable guide	-	-	-	1	1	1	
14	BF185019	Clip plastic rivet	-	-	-	1	1	1	
15	BH131817	Spacer guide hose	-	-	-	1	1	1	

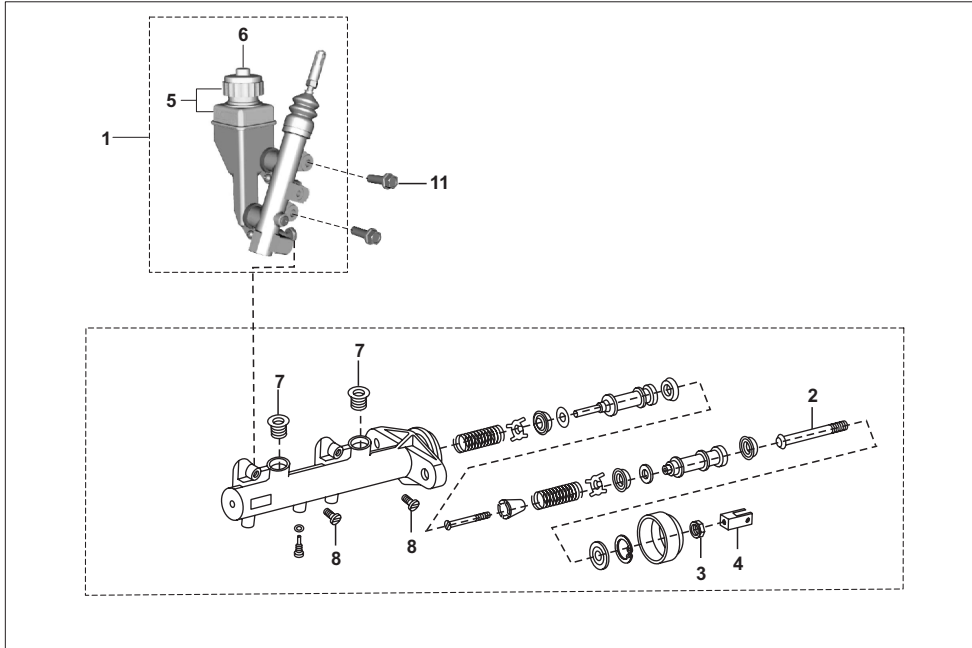
39

AA - Compact PET  
AF - Compact CNG  
AM - Compact LPG



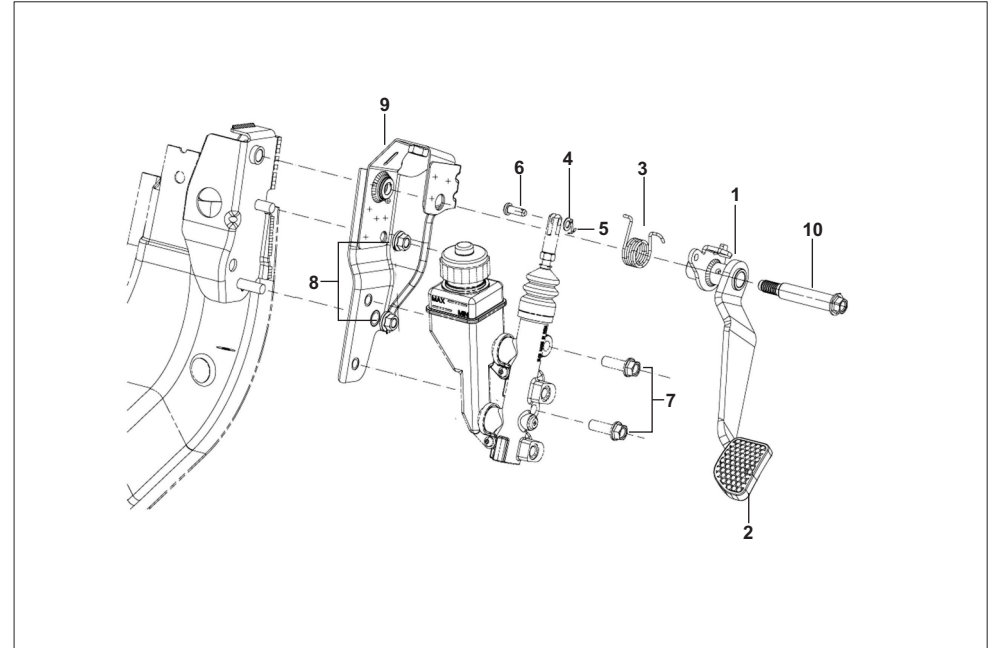
No.	Part No.	Description	COMPACT			COMPACT+		CARGO	Remarks
			AA	AF	AM	AZ	RA	AN	
1	24151221	Assly brake pipe rear-2	1	1	1	-	-	-	
1	AZ131802	Assly brake pipe rear-2	-	-	-	1	1	-	
1	AZ131817	Assly brake pipe rear	-	-	-	1	1	-	fr.25.11.2016
1	AL151220	Assly brake pipe rear-2	-	-	-	-	-	1	
2	21150422	Packing - copper washer	8	8	8	8	8	8	
3	AB151049	Bolt - M10 X 1 :- Banjo, Brake	5	5	5	5	5	5	
4	KADD1030	Bolt-flange-tmc mounting	2	2	2	2	2	2	
5	24151234	Hose rear circuit-1	1	1	1	1	1	-	
5	BB151073	Assly brake pipe rear1	-	-	-	-	-	1	
6	AA151039	Hose brake front	1	1	1	-	-	-	
6	BH131804	Hose brake front	-	-	-	1	1	-	
6	BB151026	Hose brake front	-	-	-	-	-	1	
7	BG113804	Clamp brake pipe	6	6	6	6	6	6	
8	BH131007	Clip brake pipe	-	-	-	2	2	-	
9	EC131835	Clip Hose	1	1	1	1	1	-	
10	EC131821	Connector 2 way hex	-	-	-	-	-	1	

AZ - Compact+ CNG  
RA - Compact+ LPG  
AN - Cargo CNG



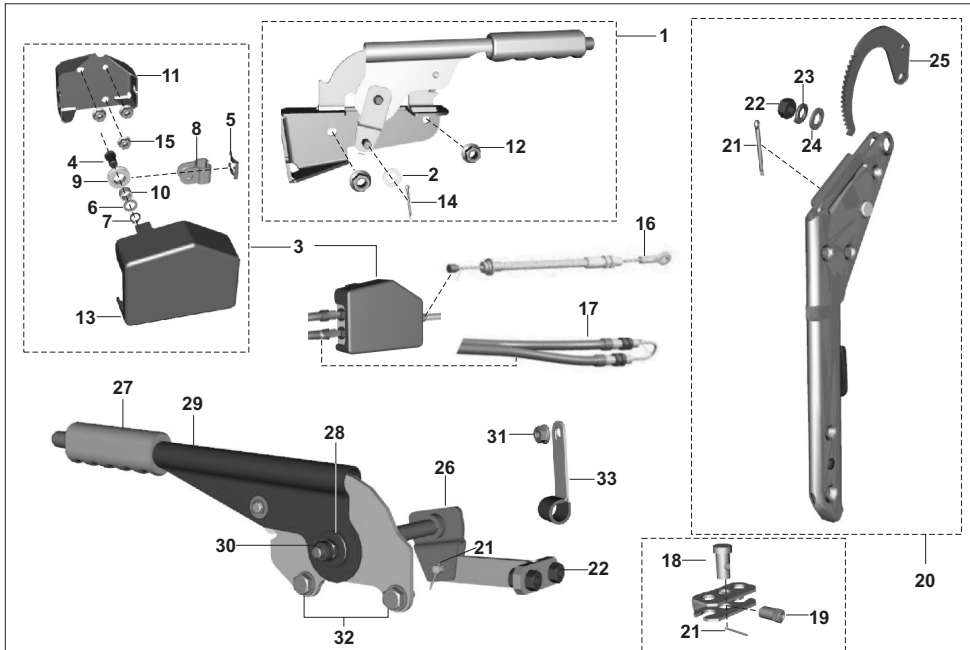
No.	Part No.	Description	COMPACT			COMPACT+		CARGO	Remarks
			AA	AF	AM	AZ	RA	AN	
1	24151275	TMC with oil container	1	1	1	1	1	1	
2	24151087	Push rod complete	1	1	1	1	1	1	
3	24151094	Hex. nut	1	1	1	1	1	1	
4	24151090	Fork rod push	1	1	1	1	1	1	
5	AB151054	Oil container with cap	1	1	1	1	1	1	
6	AB151072	Cap - oil reservoir	1	1	1	1	1	1	
7	24151092	Seal-oil supply port	2	2	2	2	2	2	
8	24151093	Screw reservoir mtg.	2	2	2	2	2	2	
9	24151097	Major kit TMC	1	1	1	1	1	1	Kit-80
10	24151098	Minor Kit TMC	1	1	1	1	1	1	Kit-81
11	39138904	Hex bolt TMC mounting	2	2	2	2	2	2	

AA - Compact PET  
AF - Compact CNG  
AM - Compact LPG



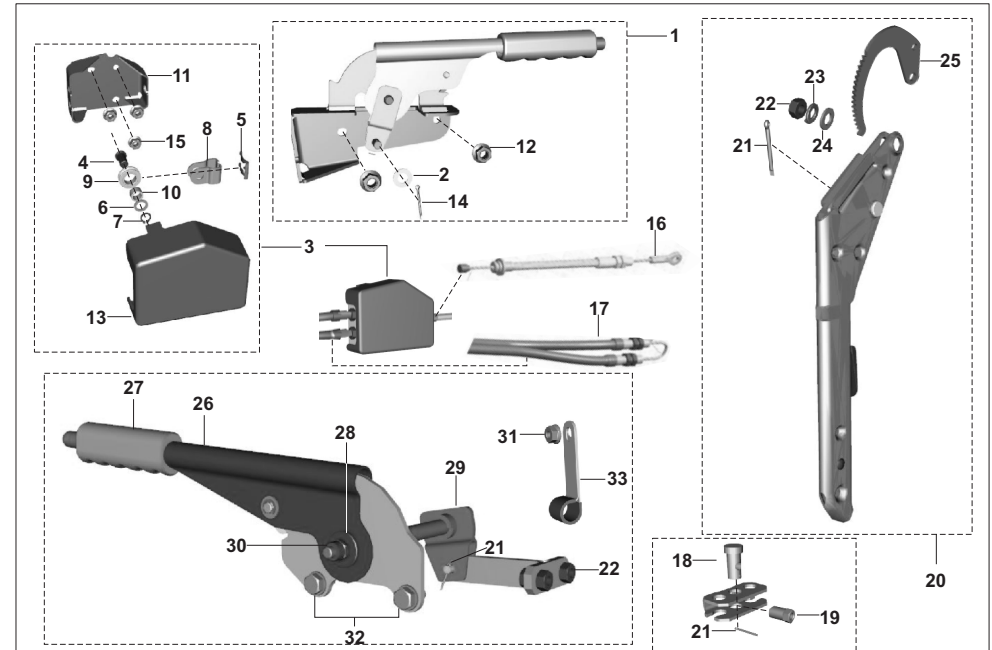
No.	Part No.	Description	COMPACT			COMPACT+		CARGO	Remarks
			AA	AF	AM	AZ	RA	AN	
1	BH161019	Assly brake pedal with pad	1	1	1	1	1	-	
1	BB151075	Assly brake pedal with pad	-	-	-	-	-	1	
2	24151232	Pad brake pedal	1	1	1	1	1	1	
3	BH161027	Spring brake pedal retainer	1	1	1	1	1	1	
4	39019911	Plain washer	2	2	2	2	2	2	
5	39014608	Split pin	1	1	1	1	1	1	
6	39170207	Clevis pin with head	1	1	1	1	1	1	
7	KADD1030	Bolt Flanged	2	2	2	2	2	2	
8	39105515	Nut Hex Flanged	2	2	2	2	2	2	
9	BH161017	Assly Bkt Brake Pedal Mtg	1	1	1	1	1	1	
10	LAD00136	Bolt Flanged-	1	1	1	1	1	1	

AZ - Compact+ CNG  
RA - Compact+ LPG  
AN - Cargo CNG



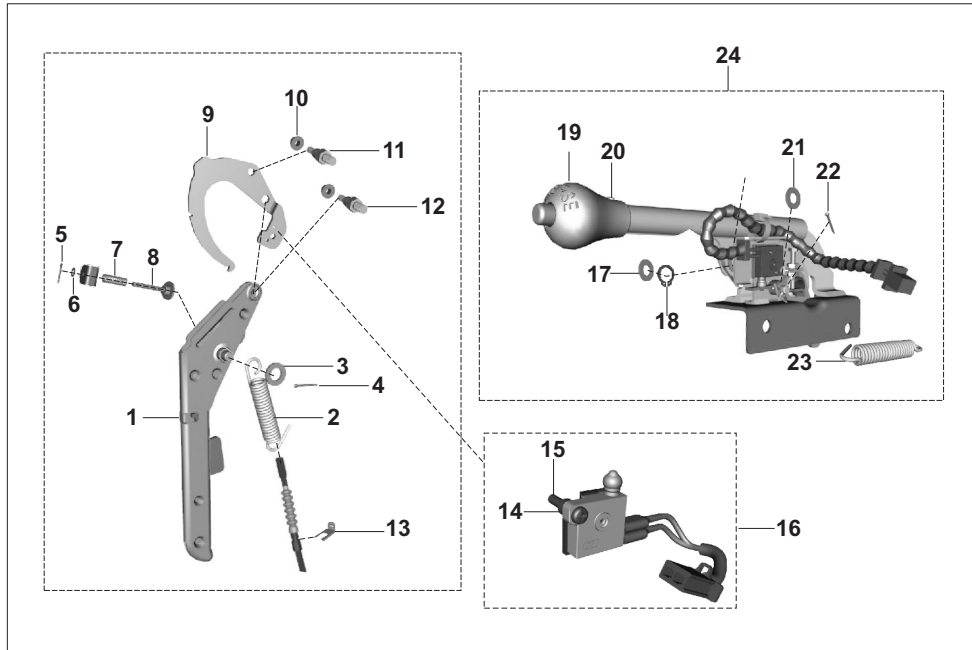
No.	Part No.	Description	COMPACT			COMPACT+		CARGO	Remarks
			AA	AF	AM	AZ	RA	AN	
1	AA151056	Assly hand lever grip	1	-	-	-	-	-	
2	KDAA0816	Washer_plain_small	1	-	-	-	-	-	
3	AA151058	Assembly equaliser	1	-	-	-	-	-	
4	BF161138	Pin pivot	1	-	-	-	-	-	
5	BF161283	Clip cable lock	1	-	-	-	-	-	
6	LDA00002	Washer plain small1	1	-	-	-	-	-	
7	KEAA1010	Circlip external	1	-	-	-	-	-	
8	BF161139	Bracket equalizer-l	1	-	-	-	-	-	
9	BF161137	Pulley	1	-	-	-	-	-	
10	BF161175	Bush pkb equalizer	1	-	-	-	-	-	
11	AA151060	Bracket equalizer	1	-	-	-	-	-	
12	39197015	Hex nut/flange-M8	2	-	-	-	-	-	
13	AA151061	Cover equalizer	1	-	-	-	-	-	
14	KHAA2020	Pin cotter	1	-	-	-	-	-	
15	KCGA0808	Nut hex flanged	3	-	-	-	-	-	
16	AA151057	Front cable	1	-	-	-	-	-	
17	AA151059	Rear cable	1	-	-	-	-	-	
18	24151068	Pin - rear cable guide	-	1	1	1	1	-	
19	24151238	Nut special m6 x 1 for hb cable	-	1	1	1	1	-	
20	24151061	Lever assly - hand br control	-	1	1	1	1	-	

AA - Compact PET  
AF - Compact CNG  
AM - Compact LPG



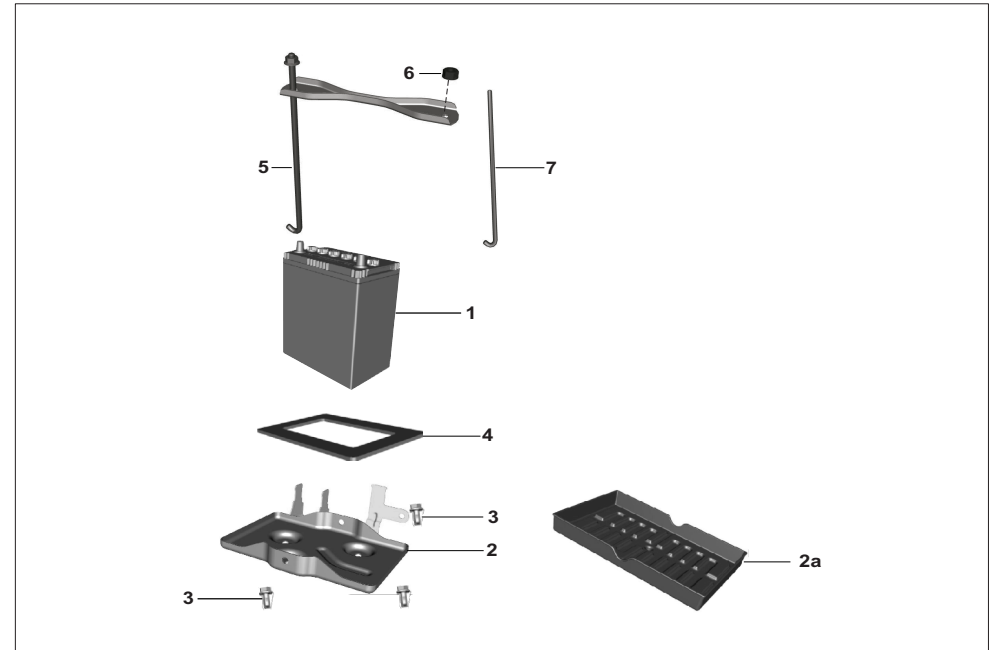
No.	Part No.	Description	COMPACT			COMPACT+		CARGO	Remarks
			AA	AF	AM	AZ	RA	AN	
21	39014608	Split pin	2	2	2	2	2	-	
22	39069415	Hex lock nut-M8x1.25	-	7	7	7	7	-	
23	39182812	Spring washer	-	3	3	3	3	-	
24	39020011	Plain washer	-	2	2	2	2	-	
25	22150507	Ratchet	-	1	1	1	1	-	
26	BB151087	Lever assembly - hand brake grip hand brake	-	-	-	-	-	1	
27	AL151113	Plain hand brake	-	-	-	-	-	1	
28	39019911	Plain washer	-	-	-	-	-	4	
29	BB151088	Plate assembly PKB	-	-	-	-	-	1	
30	39069015	Nut - nyloc - M8	-	-	-	-	-	1	
31	39271115	Nut - flange :- M6 x 1p	-	-	-	-	-	2	
32	39222204	bolt - flanged - M8	-	-	-	-	-	2	
33	BB191033	Clamp rear brake cable	-	-	-	-	-	2	

AZ - Compact+ CNG  
RA - Compact+ LPG  
AN - Cargo CNG



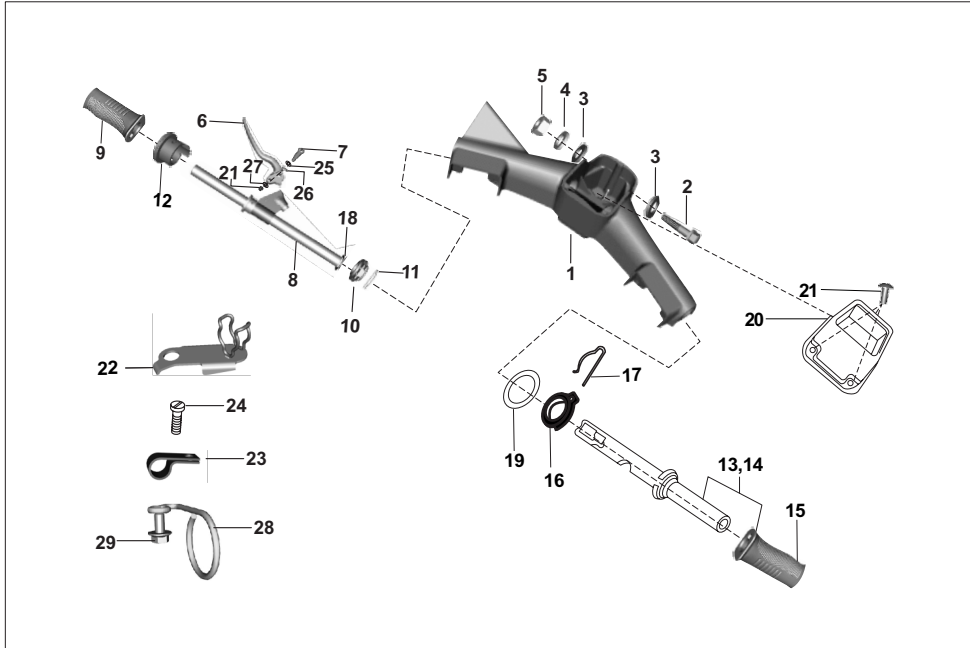
No.	Part No.	Description	COMPACT			COMPACT+		CARGO	Remarks
			AA	AF	AM	AZ	RA	AN	
1	AA191113	Assembly reverse lever	1	-	-	-	-	1	
2	AA191117	Spring tension reverse control	1	-	-	-	-	1	
3	KDAA1222	Washer_plain_small	1	-	-	-	-	1	
4	KHAA2018	Pin cotter	1	-	-	-	-	1	
5	39015108	Pin split	1	-	-	-	-	1	
6	KDAA0408	Washer_plain_small	1	-	-	-	-	1	
7	AA191121	Spring for switch	1	-	-	-	-	1	
8	AA191122	Pin assly	1	-	-	-	-	1	
9	AA191114	Ratchet reverse lever	1	-	-	-	-	1	
10	39229515	Nut flanged- ex.tube-cyl head	2	-	-	-	-	2	
11	AA191120	Pin upper reverse lever	1	-	-	-	-	1	
12	AA191119	Pivot pin reverse lever	1	-	-	-	-	1	
13	BF161296	Clip locking revrse cable	1	-	-	-	-	1	fr.15.12.2016
14	AA201320	Spacer for switch	1	-	-	-	-	1	
15	KBAA0420	Screw-pan+	1	-	-	-	-	1	
16	AA201332	Assly reverse switch with harness	1	-	-	-	-	1	
17	39122411	Plain washer	1	1	1	1	1	-	
18	39085517	E-type circlip	1	1	1	1	1	-	
19	AN191017	Grip hand reverse	1	1	1	1	1	-	
20	39141402	C. Raised ch hd screw	1	1	1	1	1	-	
21	39019911	Plain washer	1	1	1	1	1	-	
22	39014608	Split pin	1	1	1	1	1	-	
23	AZ161001	Spring tension for reverse gear	-	1	1	1	1	-	
24	AZ161000	Lever assly reverse link 55	1	1	1	1	1	-	

AA - Compact PET  
AF - Compact CNG  
AM - Compact LPG



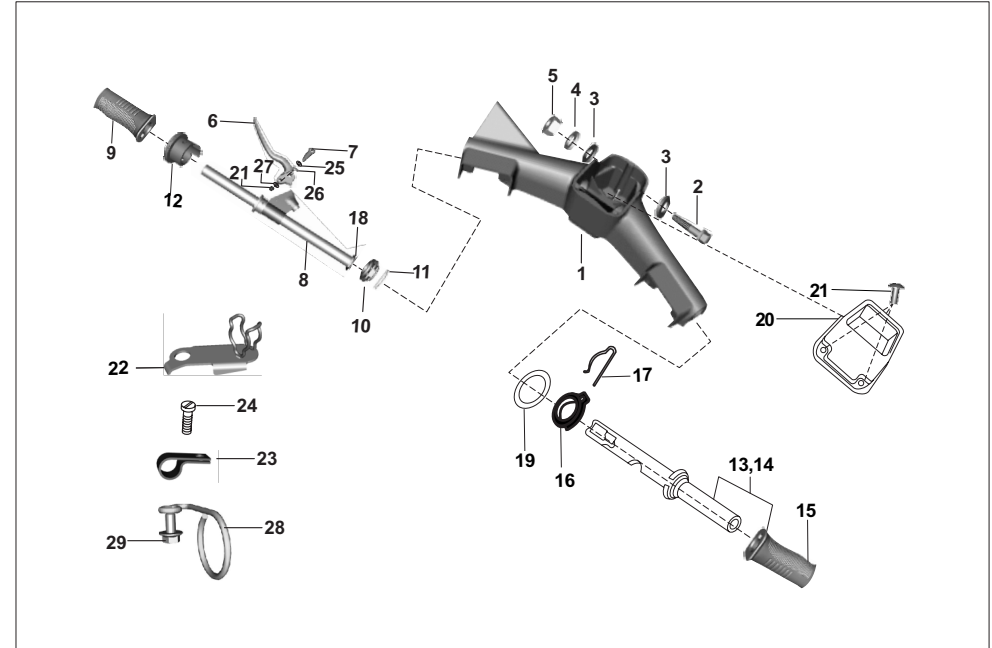
No.	Part No.	Description	COMPACT			COMPACT+		CARGO	Remarks
			AA	AF	AM	AZ	RA	AN	
1	BA201001	Battery	1	1	1	1	1	1	
2	AZ111154	Assly tray battery 32 AH	1	1	1	1	1	-	
2a	AN161048	Liner battery base tray	-	-	-	-	-	1	
3	KADA0614	Bolt flanged	3	3	3	3	3	-	
4	BA161029	Packing Battery	1	1	1	1	1	-	
4	24201564	Packing rubber - battery 32 AH	1	1	1	1	1	-	
5	AN161074	Clamp Assly	1	1	1	1	1	1	
6	39081715	Nut	2	2	2	2	2	2	
7	AN161075	Tie rod	1	1	1	1	1	1	
8	36BB0033	Lock battery(BB201018)with key	1	1	1	1	1	-	

AZ - Compact+ CNG  
RA - Compact+ LPG  
AN - Cargo CNG



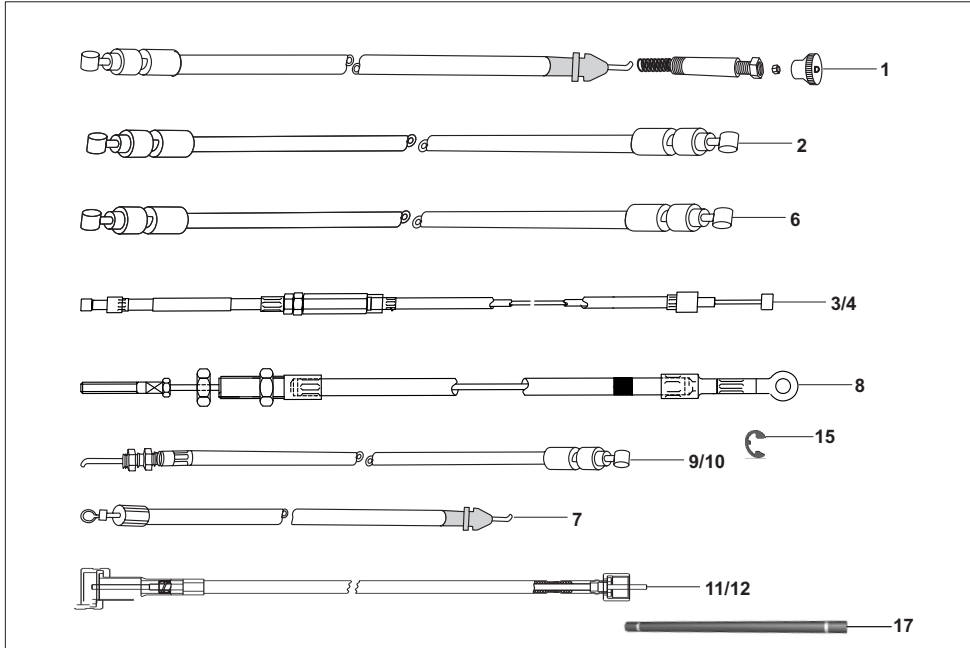
No.	Part No.	Description	COMPACT			COMPACT+		CARGO	Remarks
			AA	AF	AM	AZ	RA	AN	
1	24151274	Handle bar body	1	1	1	1	1	1	
2	39137704	Hex. bolt with collar	1	1	1	1	1	1	
3	39020111	Plain washer	2	2	2	2	2	2	
4	39182912	Spring washer	1	1	1	1	1	1	
5	39029615	Hex nut	1	1	1	1	1	1	
6	AA191032	Lever clutch	1	1	1	1	1	1	
7	24191105	Lever clutch screw	1	1	1	1	1	1	
8	24181074	Assly gear cntl tube	1	1	1	1	1	1	
9	06191089	Grip hand gear control	1	1	1	1	1	1	
10	24191184	Gear control pulley	1	1	1	1	1	1	
11	24191185	Spring clip	1	1	1	1	1	1	
12	24191099	Indicator ring gear handle bar	1	1	1	1	1	1	
13	24191187	Assly gas cntrl tube(grip)	1	1	1	1	1	1	
14	24191098	Gas control tube assly	1	1	1	1	1	1	
15	06191089	Hand grip acc	1	1	1	1	1	1	
16	24191101	Pulley gas control	1	1	1	1	1	1	
17	CM191049	Spring clip	1	1	1	1	1	1	
18	39094111	Plain washer	2	2	2	2	2	2	
19	LHC00001	Pin spring gear cotr.tube-di	1	1	1	1	1	1	
20	AP161047	Handle bar top cover	1	1	1	1	1	1	

AA - Compact PET  
AF - Compact CNG  
AM - Compact LPG



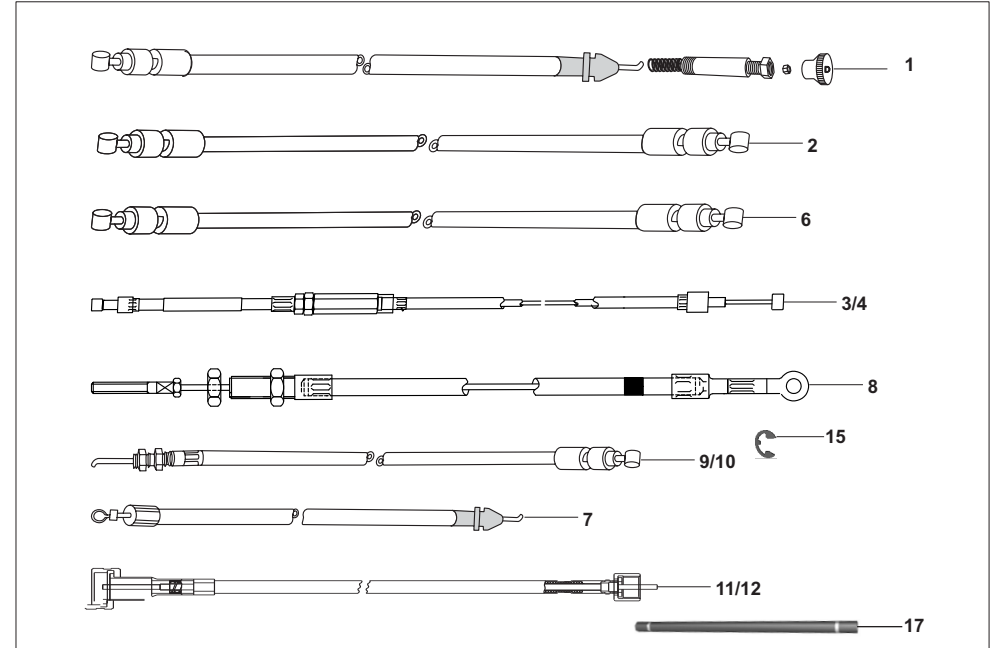
No.	Part No.	Description	COMPACT			COMPACT+		CARGO	Remarks
			AA	AF	AM	AZ	RA	AN	
21	KBUC0410	Screw Truss M4 X 0.7P	3	3	3	3	3	3	
22	24151247	Assly brac. guide hose	1	1	1	-	-	-	
23	AL201070	Clip p for new control switch	2	2	2	2	2	2	
24	39263101	Screw pan head M5	2	2	2	2	2	2	
25	03190206	Washer plain	1	1	1	1	1	1	
26	01190205	Washer spring	1	1	1	1	1	1	
27	03190204	Washer plain	1	1	1	1	1	1	
28	24181067	Guide for clutch cable	1	1	1	1	1	1	
29	39220804	Bolt flanged M5x10	1	1	1	1	1	1	

AZ - Compact+ CNG  
RA - Compact+ LPG  
AN - Cargo CNG



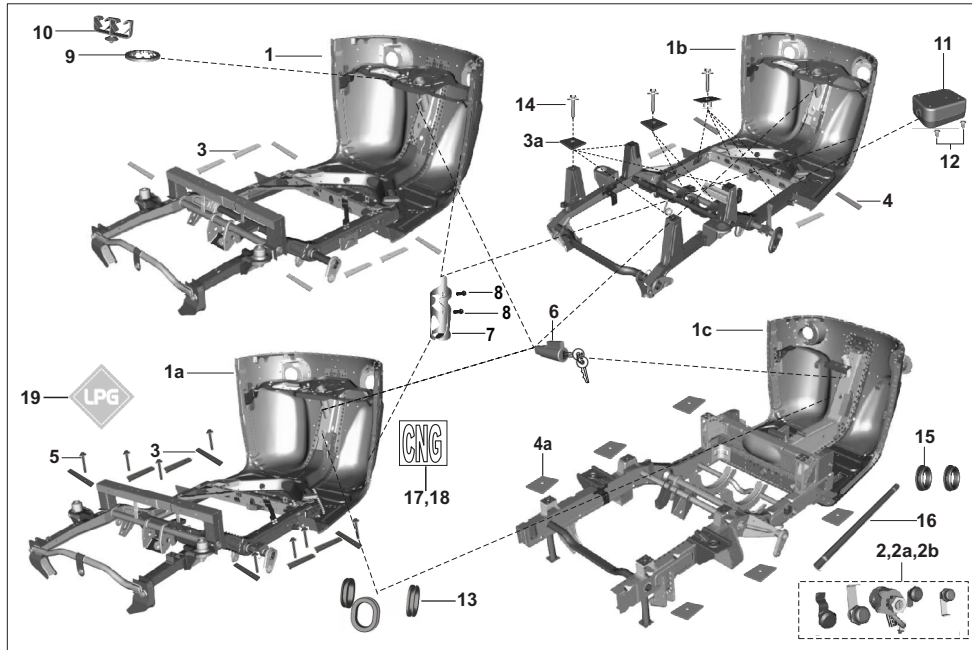
No.	Part No.	Description	COMPACT			COMPACT+		CARGO	Remarks
			AA	AF	AM	AZ	RA	AN	
1	24191182	Choke cable comp	1	1	1	-	-	-	
1	AZ161003	Choke cable comp	-	-	-	1	1	-	
1	AN191058	Cable Chock	-	-	-	-	-	1	
2	AA191091	Cable complete accelerator	1	1	1	-	-	1	
2	AZ161209	Cable complete accelerator	-	-	-	1	1	-	
3	AA191094	Cable assy gear comp.(white)	1	1	1	-	-	-	
3	AZ161207	Cable assy gear comp.(white)	-	-	-	1	1	-	
3	AN191056	Cable gear comp white	-	-	-	-	-	1	
4	AA191093	Cable assy gear comp.(Black)	1	1	1	-	-	-	
4	AZ161208	Cable gear complete black	-	-	-	1	1	-	
4	AN191062	Cable gear comp black	-	-	-	-	-	1	
5	AA201344	Cable for faremeter lamp	1	1	1	1	1	-	
6	AA191092	Clutch cable complete	1	1	1	1	1	-	
6	AN191060	Cable clutch	-	-	-	-	-	1	
7	AA191115	Cable reverse lever	1	-	-	-	-	-	
7	AZ161212	Cable reverse lever	1	1	1	1	1	-	
7	AN191068	Cable reverse lever	-	-	-	-	-	1	
8	BG131802	Cable assly. H/Br. front	1	1	1	1	1	-	
9	AA151053	Cable assly. H/Br. rear LH	-	1	1	-	-	-	
9	BH161214	Cable assly. H/Br. rear LH	-	-	-	1	1	-	

AA - Compact PET  
AF - Compact CNG  
AM - Compact LPG



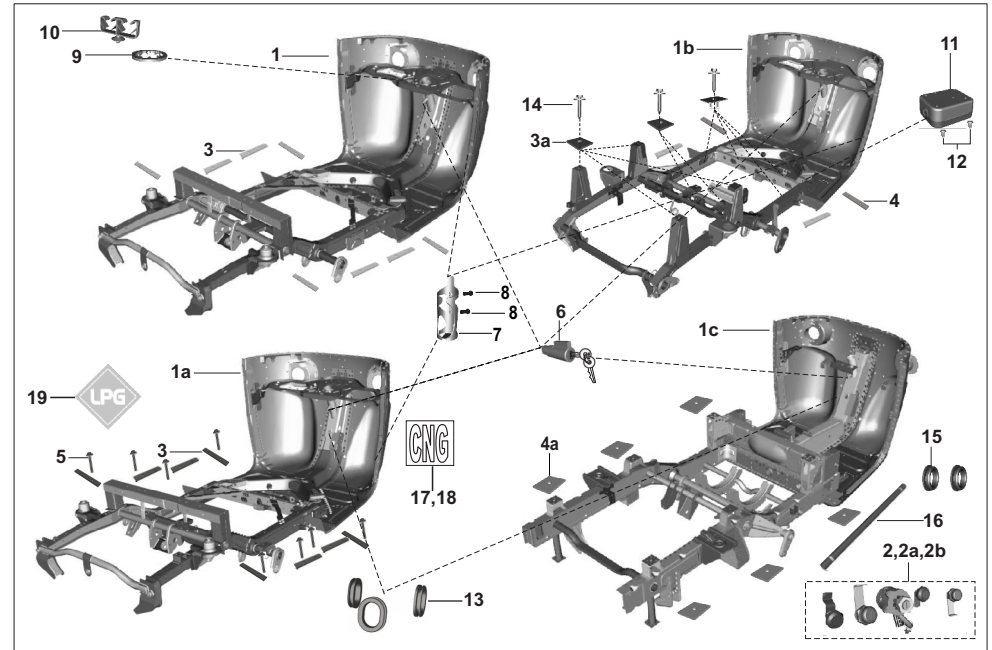
No.	Part No.	Description	COMPACT			COMPACT+		CARGO	Remarks
			AA	AF	AM	AZ	RA	AN	
9	AL151222	Cable assly. H/Br. rear LH	-	-	-	-	-	1	
10	AA151052	Cable hand brake rear RH	-	1	1	-	-	-	
10	BH161215	Cable assly. H/Br. rear RH	-	-	-	1	1	-	
10	AL151223	Cable hand brake RH	-	-	-	-	-	1	
11	AA191102	Cable speedometer	1	1	1	-	-	-	
11	AZ161215	Cable complete - speedometer	-	-	-	1	1	-	
11	AN191061	Cable complete speedometer	-	-	-	-	-	1	
12	AM191005	Inner speedometer	1	1	1	-	-	-	
12	AL191020	Inner speedometer	-	-	-	1	1	-	
12	AN191064	Cable inner speedo	-	-	-	-	-	1	
13	39158721	O ring ( speedo adaptor )	1	1	1	1	1	1	
14	24151067	Bracket - rear cable guide	1	1	1	1	1	-	NI
15	KECA7008	Circlip type E	-	-	-	2	2	-	
16	31191032	Boot for accelerator	1	1	1	1	1	1	NI
17	BB191053	Sleeve for cables	-	-	-	-	-	1	

AZ - Compact+ CNG  
RA - Compact+ LPG  
AN - Cargo CNG



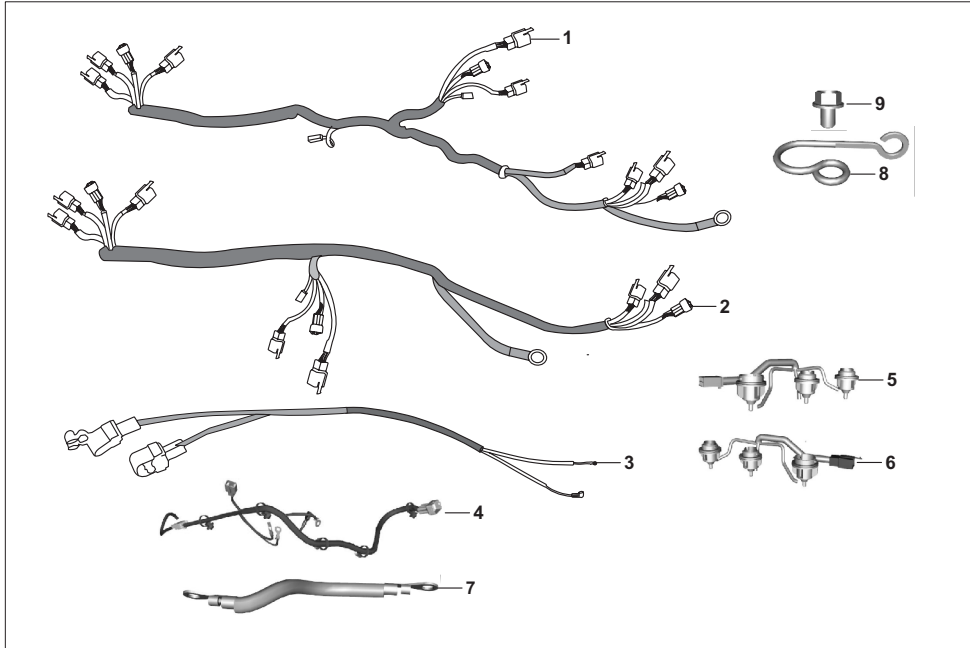
No.	Part No.	Description	COMPACT			COMPACT+		CARGO	Remarks
			AA	AF	AM	AZ	RA	AN	
1	52AA0748	Assly chassis bare comp	1	-	-	-	-	-	
1a	52AA0749	Assly bare chassis gas	-	1	1	-	-	-	
1b	52AZ0112	Frame assly complete ED	-	-	-	1	1	-	
1c	52AN0230	Assly frame bare chassis	-	-	-	-	-	1	
2	24181153	Lock set Compact	1	1	1	-	-	-	
2a	AZ232602	Lock set optima LPG	-	-	-	1	1	-	
2b	AN181012	Assly lockset cargo	-	-	-	-	-	1	alt-52AN0111
3	24231726	Packing	8	8	8	-	-	-	
3a	AL161392	Packing	-	-	-	6	6	-	
4	24231336	Packing for body	-	-	-	4	4	-	
4a	AL241769	Packing ballata	-	-	-	-	-	6	
5	AA231245	Bolt combination	8	8	8	-	-	-	
6	36244042	steering lock(24181016) with key	1	1	1	1	1	1	
7	24161446	Water bottle holder	1	1	1	1	1	-	
8	KBAC0614	Screw	2	2	2	2	2	-	
9	LDF00001	Washer- lock toothed	2	2	2	2	2	-	
10	AL201127	Clip plastic twin dia 17	1	1	1	1	1	-	
11	BH181204	Coupler box	1	1	1	1	1	-	up to-03.05.2017
12	BF185019	Clip plastic rivet	2	2	2	2	2	-	up to-03.05.2017
13	24165230	Grommet upper part	3	3	3	3	3	-	

AA - Compact PET  
AF - Compact CNG  
AM - Compact LPG



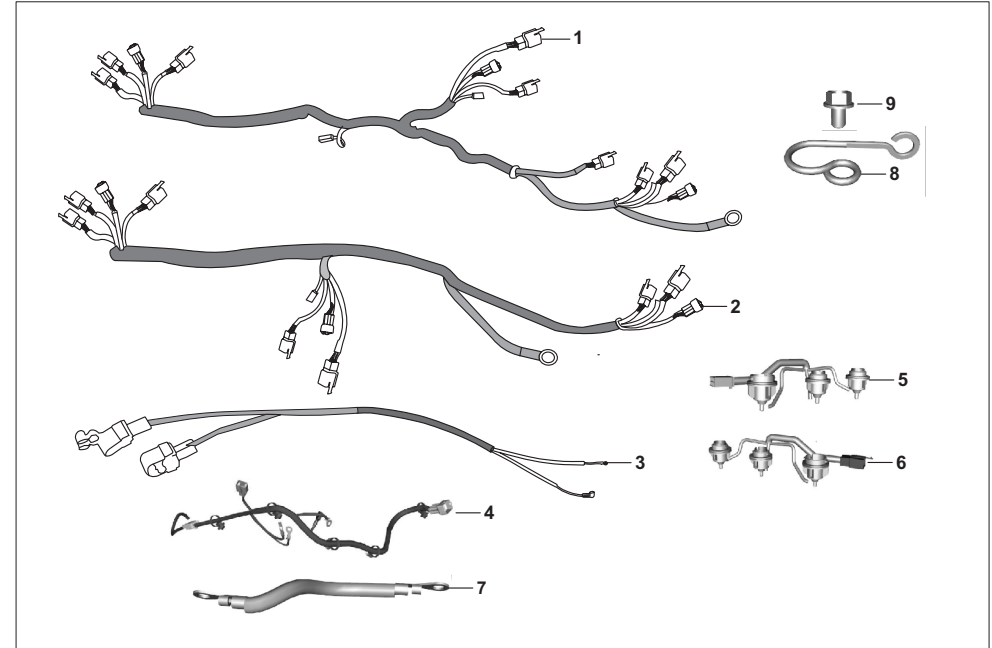
No.	Part No.	Description	COMPACT			COMPACT+		CARGO	Remarks
			AA	AF	AM	AZ	RA	AN	
13	24165169	Grommet for upper part	-	-	-	-	-	3	
14	BH211077	Bolt hex with flange	-	-	-	10	10	-	
15	39237423	Grommet for upper part-rvrs cble	-	-	-	-	-	2	
16	BB191053	Sleeve for cables	-	-	-	-	-	1	
17	AF161024	Label CNG	-	1	-	1	-	-	
18	AF161040	Label cng as per delhi req	-	2	-	2	-	-	
19	AM161020	Label LPG	-	-	1	-	1	-	

AZ - Compact+ CNG  
RA - Compact+ LPG  
AN - Cargo CNG



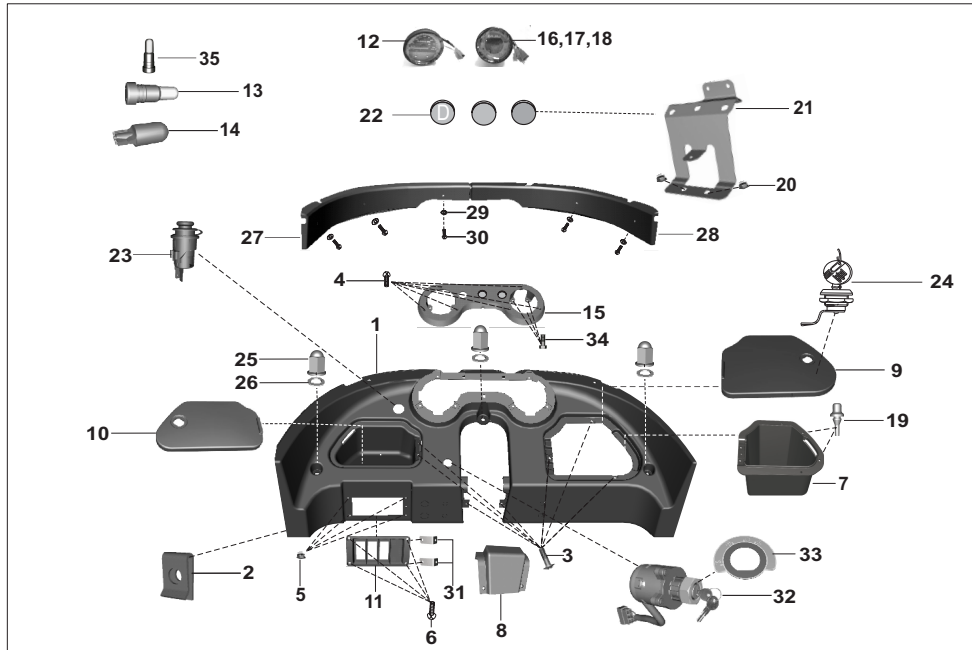
No.	Part No.	Description	COMPACT			COMPACT+		CARGO	Remarks
			AA	AF	AM	AZ	RA	AN	
1	AA201395	Harness wiring fr.Comp. Pet	1	-	-	-	-	-	
1	AA201414	Harness wiring-front-Pet	1	-	-	-	-	-	fr.18.01.2017
1	AF201200	Harness wiring fr.Comp. Cng	-	1	-	-	-	-	
1	AF201205	Harness wiring-front-CNG	-	1	-	-	-	-	fr.22.02.2017
1	AM201134	Harness wiring fr.Comp. Lpg	-	-	1	-	-	-	
1	AM201136	Harness wiring-front-LPG	-	-	1	-	-	-	fr.22.02.2017
1	AM201138	Harness wiring-front-LPG MF	-	-	1	-	-	-	fr.22.02.2017
1	AZ402222	Harness wiring fr.Comp+Cng	-	-	-	1	-	-	
1	RA402216	Harness wiring fr.Comp+Lpg	-	-	-	-	1	-	
1	RA402218	Harness wiring fr.Comp+Lpg	-	-	-	-	1	-	fr.08.12.2016
1	AN201098	Harness wiring fr.Cargo	-	-	-	-	-	1	
1	AN201123	Harness wiring fr.Cargo	-	-	-	-	-	1	fr.22.09.2017
2	AA201388	Harness wiring Rr.Comp.Pet	1	-	-	-	-	-	
2	AA201415	Harness wiring-rear-Pet	1	-	-	-	-	-	fr.18.01.2017
2	AF201185	Harness rear CNG	-	1	-	-	-	-	
2	AF201201	Harness wiring Rr.Comp.Cng	-	1	-	-	-	-	
2	AF201206	Harness wiring-rear-CNG	-	1	-	-	-	-	fr.22.02.2017
2	AM201129	Harness wiring Rr.Comp.Lpg	-	-	1	-	-	-	
2	AM201137	Harness wiring-rear-LPG	-	-	1	-	-	-	fr.22.02.2017
2	AM201139	Harness wiring-rear-LPG MF	-	-	1	-	-	-	fr.22.02.2017

AA - Compact PET  
AF - Compact CNG  
AM - Compact LPG



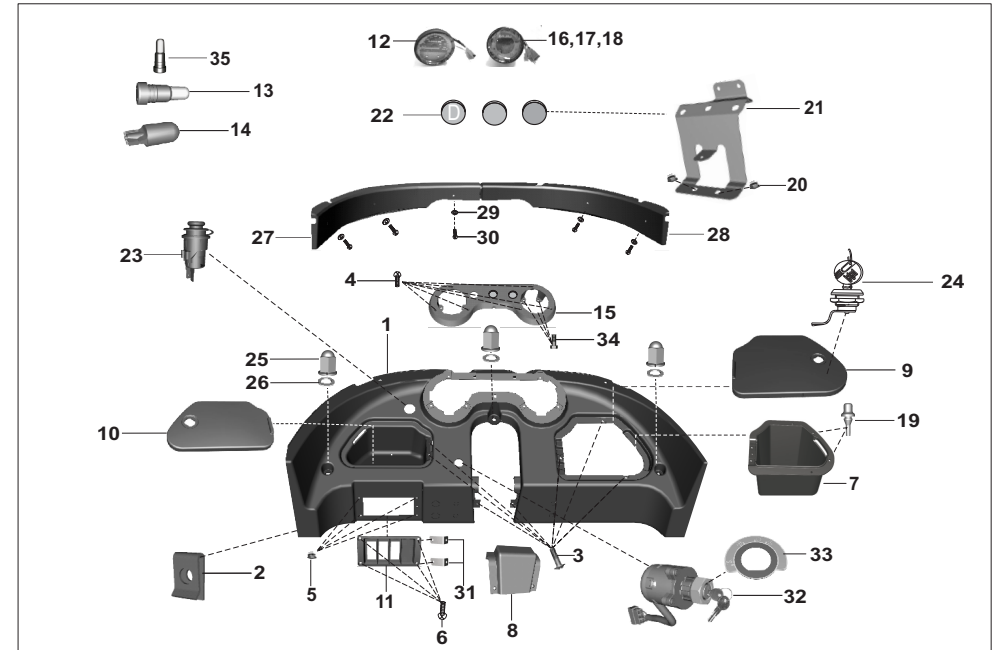
No.	Part No.	Description	COMPACT			COMPACT+		CARGO	Remarks
			AA	AF	AM	AZ	RA	AN	
2	AZ402224	Harness wiring Rr. Comp+Cng	-	-	-	1	-	-	
2	RA402217	Harness wiring Rr. Comp+Lpg	-	-	-	-	1	-	
2	AN201099	Harness rear- re cargo CNG	-	-	-	-	-	1	
2	AN201125	Harness rear- cargo CNG	-	-	-	-	-	1	fr.22.09.2017
3	AA201379	Cable battery positive	1	1	1	1	1	-	
3	AF201207	Cable battery positive	1	1	1	-	-	-	fr.18.01.2017
3	AA201391	Cable battery -VE	1	1	1	-	-	-	
3	AZ402225	Cable battery negative	-	-	-	1	1	-	
3	AN201100	Cable battery- re cargo CNG	-	-	-	-	-	1	
4	AA201361	Harness body re 4s petrol	1	-	-	-	-	-	
4	AF201193	Harness body Comp.Gas	-	1	1	-	-	-	
5	24201500	Harness tail light LH	1	1	1	-	-	1	
5	BH401005	Harness tail light LH Comp+	-	-	-	1	1	-	
6	24201501	Harness tail light RH	1	1	1	-	-	1	
6	BH401006	Harness tail light RH Comp+	-	-	-	1	1	-	
7	AA201380	Cable earth - engine to chassis	1	1	1	1	1	1	
8	AA141090	Hook clip	-	-	-	-	-	-	1
9	KADA0812	Bolt flanged	-	-	-	-	-	1	alt-KADA0816

AZ - Compact+ CNG  
RA - Compact+ LPG  
AN - Cargo CNG



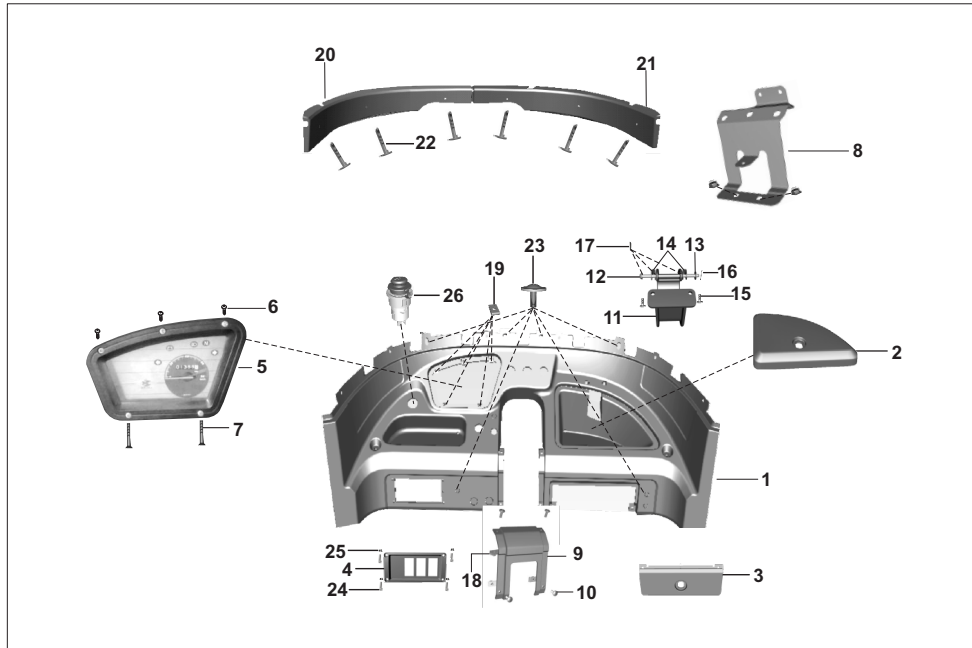
No.	Part No.	Description	COMPACT			COMPACT+		CARGO	Remarks
			AA	AF	AM	AZ	RA		
1	AA161305	Dashboard plastic	1	1	1	-	-	-	
1	AA161215	Dashboard plastic	-	-	-	1	1	-	
2	CE181015	Nut - clip	15	15	15	15	15	-	
3	59010005	Screw	9	9	9	9	9	-	
4	59010007	Screw - cross recess	6	6	6	6	6	-	
5	39197215	Nut - hexagon	-	-	-	4	4	-	
6	39152301	Screw pan cross	4	4	4	4	4	-	
7	AA161309	Toolbox RH side	1	1	1	-	-	-	
7	24161368	Toolbox RH side	-	-	-	1	1	-	
8	AA161310	Cover middle portion	1	1	1	-	-	-	
8	24161371	Cover middle portion	-	-	-	1	1	-	
9	AA161307	Lid tool box RH	1	1	1	-	-	-	
9	AL161503	Lid tool box RH	-	-	-	1	1	-	
10	AA161308	Lid tool box LH	1	1	1	-	-	-	
10	AL161502	Lid tool box LH	-	-	-	1	1	-	
11	24161373	Cover for switches	1	-	1	-	-	-	
11	24161492	Cover for switches	-	1	1	1	1	-	
12	AA201278	Speedometer assly	1	1	1	-	-	-	
12	AZ402403	Speedometer assly	-	-	-	1	1	-	
13	CM201054	Lamp :- 12v - 2w,Without cap	1	1	1	1	1	-	
14	DL191020	Lamp :- 12v - 3w,Without cap	1	1	1	1	1	-	
15	AA161306	Cover speedometer	1	1	1	-	-	-	
15	AA161216	Cover speedometer	-	-	-	1	1	-	

AA - Compact PET  
AF - Compact CNG  
AM - Compact LPG



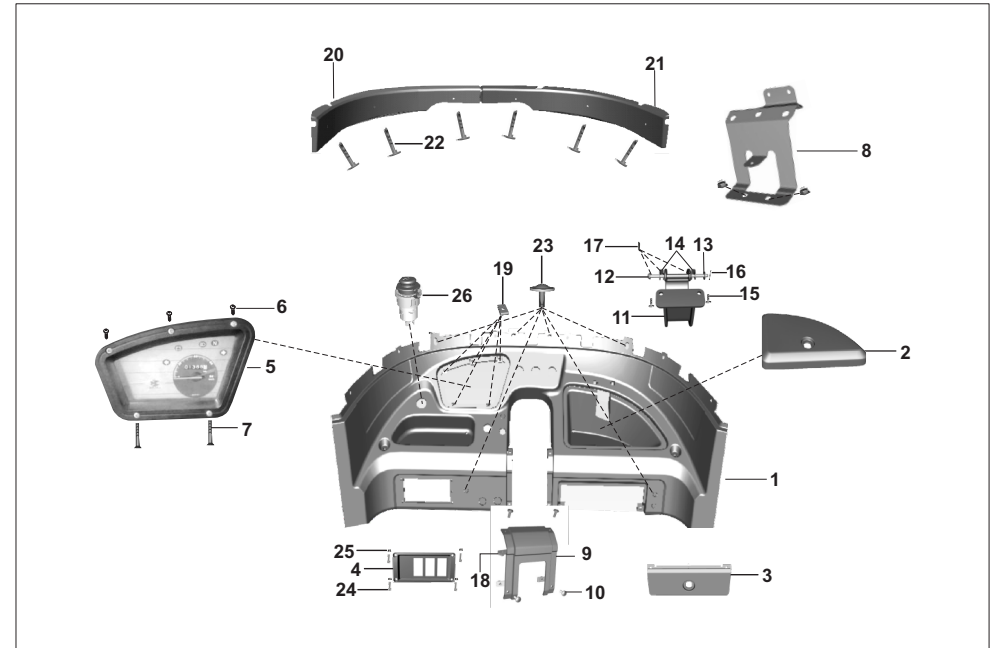
No.	Part No.	Description	COMPACT			COMPACT+		CARGO	Remarks
			AA	AF	AM	AZ	RA		
16	AA201362	Assly indicator RH pet	1	-	-	-	-	-	
17	AZ402600	Indicator assly RH pod cng	-	1	-	1	1	-	
18	RA402602	Indicator assly RH pod lpg	-	-	1	-	-	-	
19	24230198	Pad - rubber	2	2	2	2	2	-	
20	KCGD0808	Nut hex flanged-control bkt	2	2	2	2	2	-	
21	AA161225	Bracket control mounting	1	1	1	1	1	-	
22	AZ161213	Knob choke	1	1	1	1	1	-	
23	AL201100	Charger mobile	1	1	1	1	1	-	
23	36AL0016	kit Lock(AL161362) With Key	1	1	1	1	1	-	Kit-63
25	39170415	Domed cap nut M6-	3	3	3	3	3	-	
26	39021111	Washer plain	3	3	3	3	3	-	
27	AA161327	Trim upper small LH	1	1	1	-	-	-	
27	AA161218	Trim upper small LH	-	-	-	1	1	-	
28	AA161328	Trim upper small RH	1	1	1	-	-	-	
28	AA161219	Trim upper small RH	-	-	-	1	1	-	
29	KDBb0512	Washer_plain	5	5	5	5	5	-	
30	KBBA0525	Screw pan cross	5	5	5	5	5	-	
31	AA161290	Bracket harness	1	1	1	1	1	-	
32	36AA4028	Ignition lock(AA201254)with key	1	1	1	1	1	1	
33	AA201258	Label ( Parking-OFF-ON )	1	1	1	1	1	1	
34	39245401	Hexagon head screw-M5X14	6	6	6	6	6	-	alt-39152301
35	AA201341	Lamp 12V 1.7W	4	4	4	4	4	-	

AZ - Compact+ CNG  
RA - Compact+ LPG  
AN - Cargo CNG



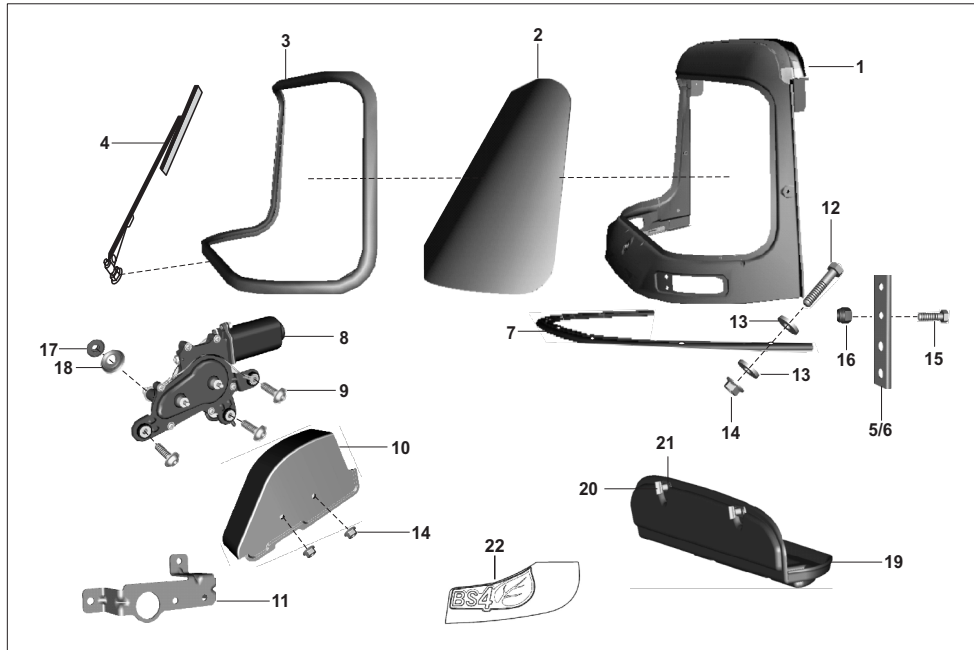
No.	Part No.	Description	COMPACT			COMPACT+		CARGO	Remarks
			AA	AF	AM	AZ	RA	AN	
1	AN161220	Dashboard	-	-	-	-	-	1	
2	AL161382	Lid glove box	-	-	-	-	-	1	
3	AL161390	Assembly lid stereo	-	-	-	-	-	1	
4	AN161086	Cover switch	-	-	-	-	-	1	
5	AN191008	Cluster instrumental	-	-	-	-	-	1	
5	AN191076	Cluster instrumental	-	-	-	-	-	1	fr.22.09.2017
6	AL191028	Screw M4	-	-	-	-	-	3	
7	KBCD0430	Screw csk cross	-	-	-	-	-	2	
8	BB161130	Bracket knob mounting	-	-	-	-	-	1	
9	AL161381	Cover steering	-	-	-	-	-	1	
10	39190701	Mushroom head screw	-	-	-	-	-	6	
11	AL161184	Hinge glove box lid	-	-	-	-	-	1	
12	AL161186	Pin dashboard hinge	-	-	-	-	-	1	
13	39217924	Washer,5.1X10X1.0	-	-	-	-	-	1	
14	AL161185	Clip glove box lid	-	-	-	-	-	2	
15	39186002	Screw cross recessed pan head	-	-	-	-	-	2	
16	39015108	Pin split	-	-	-	-	-	1	
17	39096011	Washer curved spring	-	-	-	-	-	3	
18	35161060	Nut - clip	-	-	-	-	-	10	
19	CE181015	Nut clip	-	-	-	-	-	5	

AA - Compact PET  
AF - Compact CNG  
AM - Compact LPG



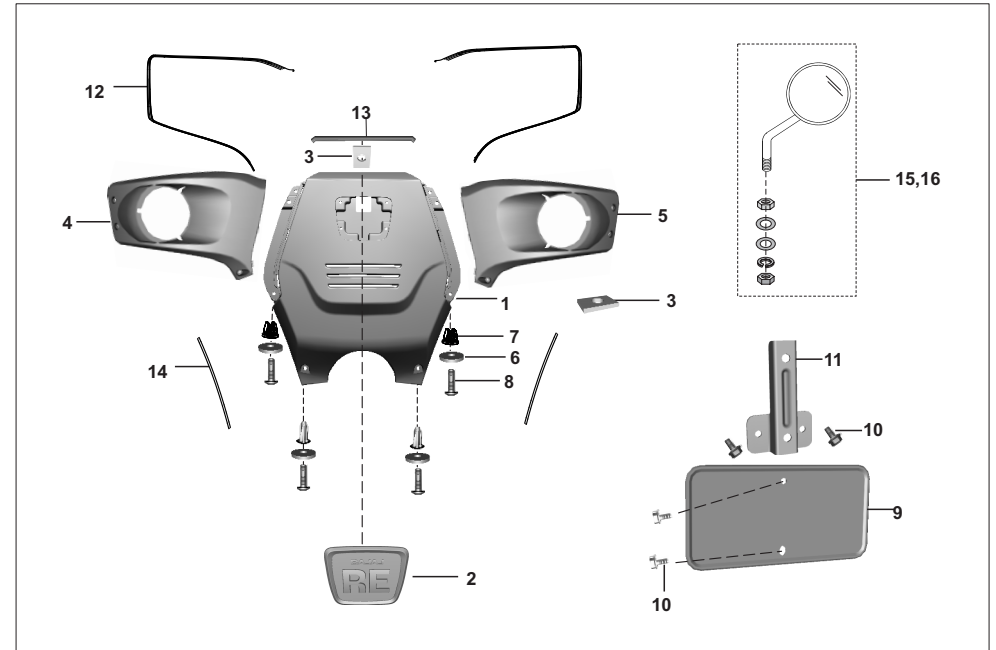
No.	Part No.	Description	COMPACT			COMPACT+		CARGO	Remarks
			AA	AF	AM	AZ	RA	AN	
20	BB161101	Trim upper large RH	-	-	-	-	-	1	
21	BB161100	Trim upper large LH	-	-	-	-	-	1	
22	LBU00047	Screw Truss Bright	-	-	-	-	-	6	fr.05.12.2016
23	LBU00051	Screw Truss Taper-washer L30	-	-	-	-	-	6	fr.05.12.2016
24	39066301	Screw slotted cheese head	-	-	-	-	-	4	
25	39197215	Nut - hexagon with flange	-	-	-	-	-	4	
26	AL201100	Mobile charger	-	-	-	-	-	1	

AZ - Compact+ CNG  
RA - Compact+ LPG  
AN - Cargo CNG



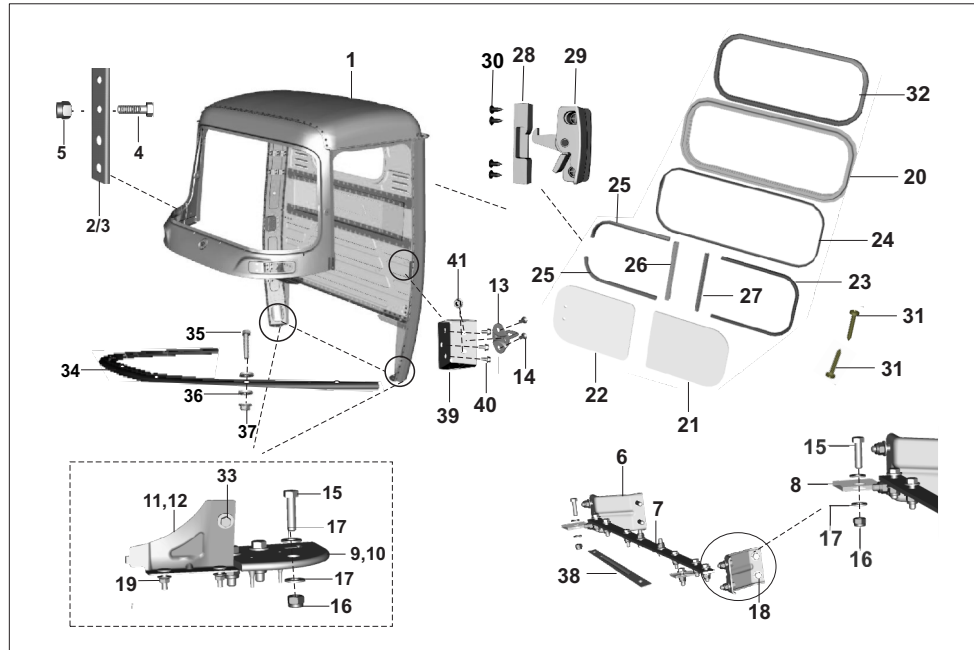
No.	Part No.	Description	COMPACT			COMPACT+		CARGO	Remarks
			AA	AF	AM	AZ	RA	AN	
1	52240645	Wind shield assly ED	1	1	1	1	1	-	
2	BH184000	Glass one piece	1	1	1	1	1	1	
3	AA231239	Beading one piece w/s glass	1	1	1	1	1	1	
4	AL241023	Wiper assly	1	1	1	1	1	1	
5	24231615	Joint plate LH	1	1	1	1	1	-	
6	24231616	Joint plate RH	1	1	1	1	1	-	
7	24231641	Packing shield and w shield	1	1	1	1	1	1	
8	AA201263	Wiper motor with capacitor	1	1	1	1	1	1	
9	LAC00008	Bolt socket	3	3	3	3	3	3	
10	AA231223	Cover wiper motor black	1	1	1	1	1	1	
11	24231625	Bracket wiper motor mounting	1	1	1	1	1	1	
12	KAAA0525	Bolt	11	11	11	11	11	11	
13	39025811	Plain washer	18	18	18	18	18	18	
14	KCGA0505	Flange nut	11	11	11	11	11	11	
15	KAAA0516	Screw - hexagon head :- M5	8	8	8	8	8	-	
16	39032615	Flanged nut	11	11	11	11	11	11	
17	24201525	Grommet wiper motor big	1	1	1	1	1	1	
18	BH111071	Cap wiper motor big	1	1	1	1	1	1	
19	24231699	Assly utility head box	1	1	1	-	-	-	
20	24231522	Lock - i :- utility box	2	2	2	-	-	-	
21	24231523	Lock - ii :- utility box	2	2	2	-	-	-	
22	BB231698	Lable BSIV front	1	1	1	1	1	1	

AA - Compact PET  
AF - Compact CNG  
AM - Compact LPG



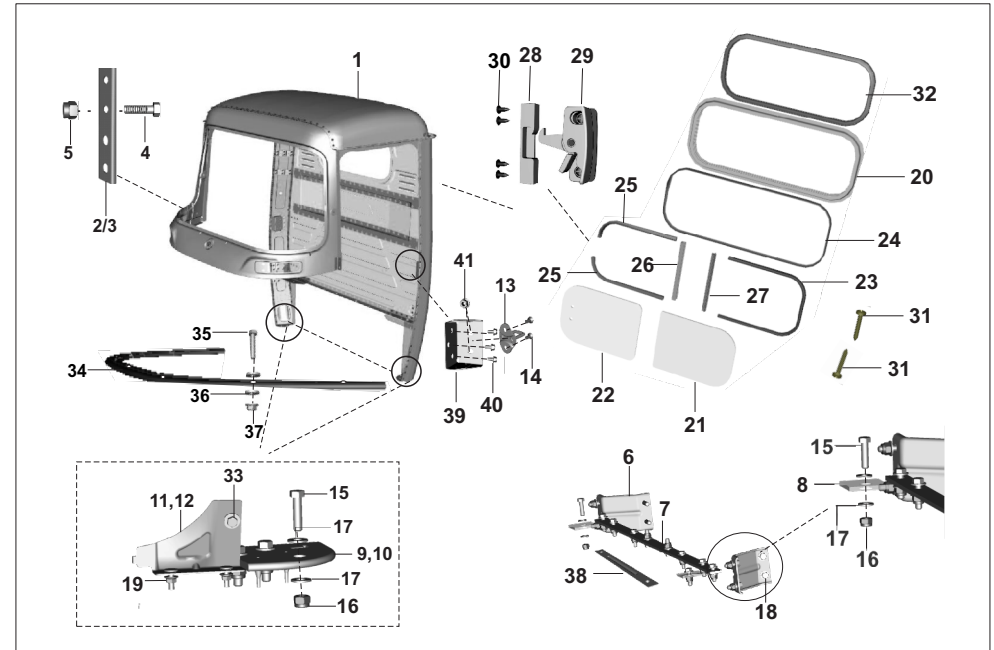
No.	Part No.	Description	COMPACT			COMPACT+		CARGO	Remarks
			AA	AF	AM	AZ	RA	AN	
1	24165116	Assly steering cover	1	1	1	1	1	1	with BG233002
2	BG233002	Emblem bajaj re for scudo	1	1	1	1	1	1	
3	24165214	Grommet steering cover	1	1	1	1	1	1	
4	AA161190	Housing headlamp LH	1	1	1	1	1	-	
4	BB161096	Housing headlamp LH	-	-	-	-	-	1	
5	AA161191	Housing headlamp RH	1	1	1	1	1	-	
5	BB161097	Housing headlamp RH	-	-	-	-	-	1	
6	39045411	Washer - plain	4	4	4	4	4	4	
7	AL161236	Plug for blinker housing	4	4	4	4	4	4	
8	59010005	Screw round head	4	4	4	4	4	4	
9	22161221	Plate -number	1	1	1	1	1	1	
10	39168004	Bolt for fr. no plate mtg	4	4	4	4	4	-	
10	KADB0612	Bolt flanged	-	-	-	-	-	4	
11	24165132	Bracket fr number plate mtg	1	1	1	1	1	1	
12	AA161268	Beading housing headlamp	2	2	2	2	2	2	
13	AA161269	Beading steering cover upper	1	1	1	1	1	1	
14	AA161270	Beading st. cover lower	2	2	2	2	2	2	
15	AA221005	Mirror Assly. LH	1	1	1	-	-	-	
15	BH184601	Mirror Assly. LH	-	-	-	1	1	-	
15	BB221017	Mirror maxima c LH	-	-	-	-	-	1	
16	AA221006	Mirror Assly. RH	1	1	1	-	-	-	
16	BH184602	Mirror Assly. RH	-	-	-	1	1	-	
16	BB221018	Mirror maxima RH	-	-	-	-	-	1	

AZ - Compact+ CNG  
RA - Compact+ LPG  
AN - Cargo CNG



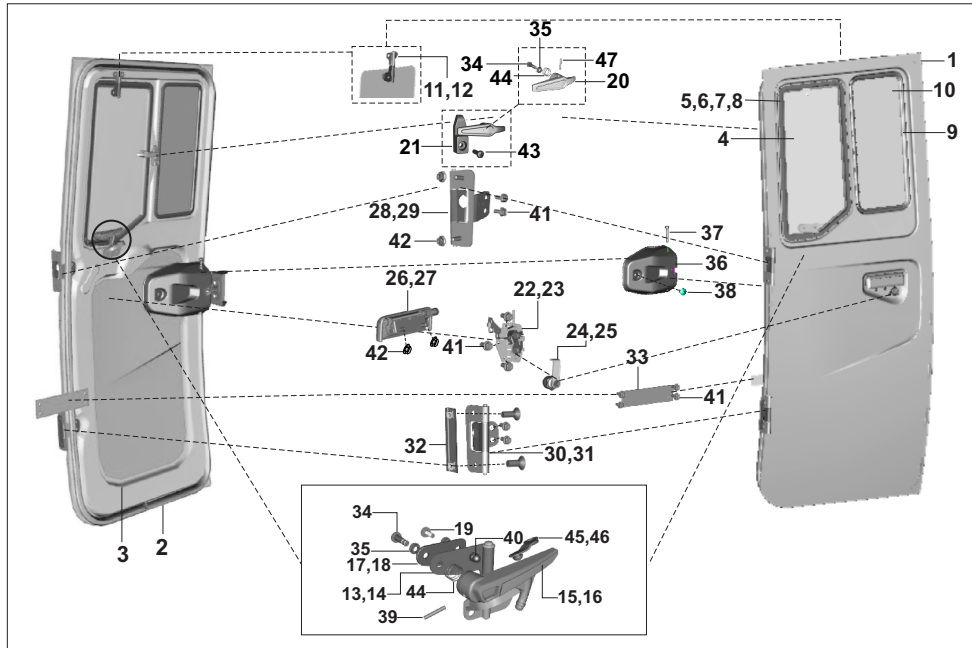
No.	Part No.	Description	COMPACT			COMPACT+		CARGO	Remarks
			AA	AF	AM	AZ	RA		
1	52AL0393	Assy cabin top	-	-	-	-	-	1	ED
2	AL241445	Joint plate LH	-	-	-	-	-	1	
3	AL241446	Joint plate RH	-	-	-	-	-	1	
4	KAAA0518	Bolt	-	-	-	-	-	4	
5	KCHA0507	Nyloc nut	-	-	-	-	-	4	
6	AL161661	Panel connecting	-	-	-	-	-	2	
7	AL241578	Packing upper cabin	-	-	-	-	-	1	
8	AL241697	Packing cabin	-	-	-	-	-	2	
9	AL241577	Rubber packing LH	-	-	-	-	-	1	
10	AL241679	Rubber packing RH	-	-	-	-	-	1	
11	AL161705	Extension panel sill outer LH	-	-	-	-	-	1	
12	AL161706	Extension panel sill outer RH	-	-	-	-	-	1	
13	AL241344	Latch striker door	-	-	-	-	-	2	
14	KBCA0816	Screw csk - cross	-	-	-	-	-	4	
15	KAAA0830	Bolt	-	-	-	-	-	16	
16	KCHA0809	Nut nyloc	-	-	-	-	-	20	
17	KDBB0818	Washer plain	-	-	-	-	-	44	
18	KAAA0825	Bolt	-	-	-	-	-	8	
19	39248415	Flange nut	-	-	-	-	-	4	
20	AL241785	Frame back window	-	-	-	-	-	1	
21	AL241786	Glass fixed back window	-	-	-	-	-	1	
22	AL241787	Glass sliding back window	-	-	-	-	-	1	

AA - Compact PET  
AF - Compact CNG  
AM - Compact LPG



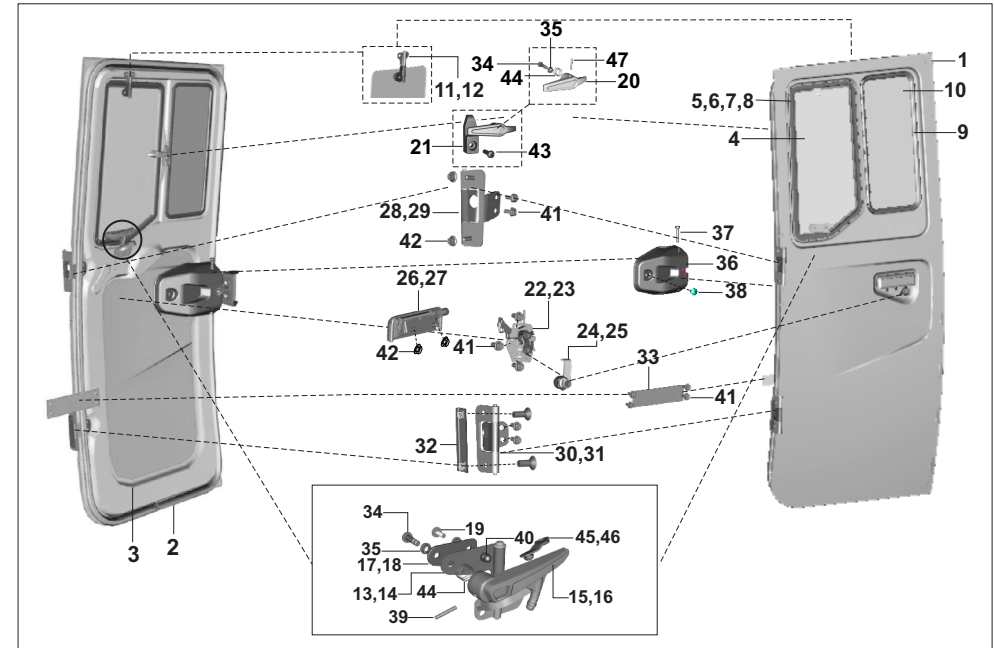
No.	Part No.	Description	COMPACT			COMPACT+		CARGO	Remarks
			AA	AF	AM	AZ	RA		
23	AL241788	Beading fixed glass back	-	-	-	-	-	1	
24	AL241789	Beading sliding glass back	-	-	-	-	-	1	
25	AL241790	Beading frame back window	-	-	-	-	-	2	
26	AL241791	Channel dividing back window	-	-	-	-	-	1	
27	AL241792	Beading channel back window	-	-	-	-	-	1	
28	AL241817	Catch plate - sliding glass latch	-	-	-	-	-	1	
29	AL241811	Assly latch-sliding glass window	-	-	-	-	-	1	
30	KBRA3510	Screw tapping pan cross	-	-	-	-	-	4	
31	KBRA3522	Screw tapping pan cross	-	-	-	-	-	4	
32	AL241796	Beading fixed glass	-	-	-	-	-	2	
33	KAAA0518	Bolt	-	-	-	-	-	2	
34	24231641	Packing shield and w shield	-	-	-	-	-	1	
35	KAAA0525	Bolt	-	-	-	-	-	11	
36	39025811	Plain washer	-	-	-	-	-	11	
37	KCGA0505	Flange nut	-	-	-	-	-	11	
38	AL161744	Plate nut cabin mtg	-	-	-	-	-	1	
39	AL241761	Bracket striker mtg	-	-	-	-	-	1	
40	KADA0612	Bolt flanged	-	-	-	-	-	3	
41	KCGF0808	Nut hex flanged	-	-	-	-	-	2	

AZ - Compact+ CNG  
RA - Compact+ LPG  
AN - Cargo CNG



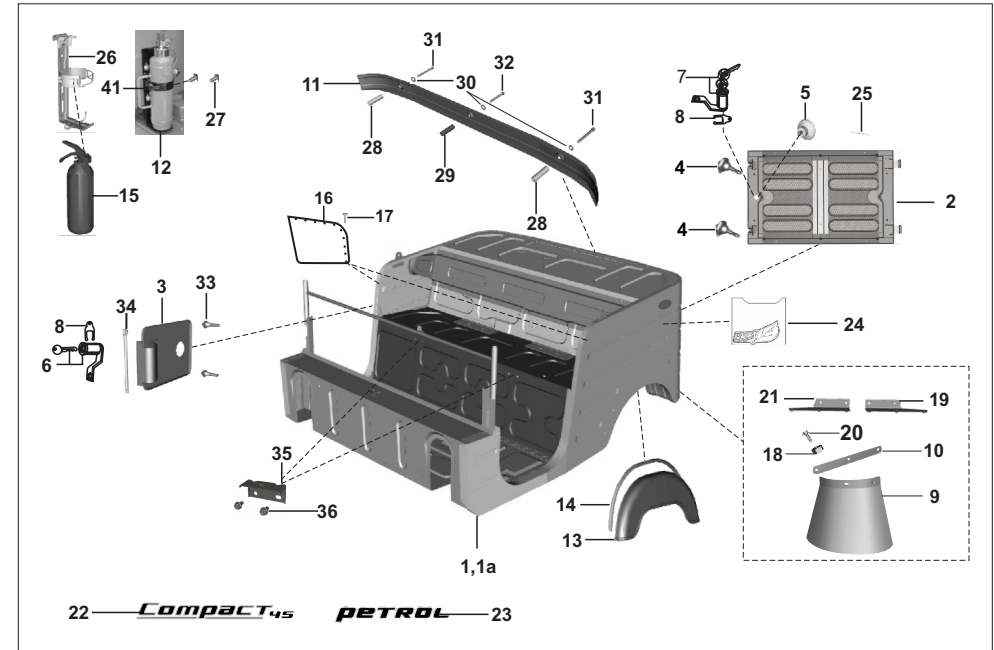
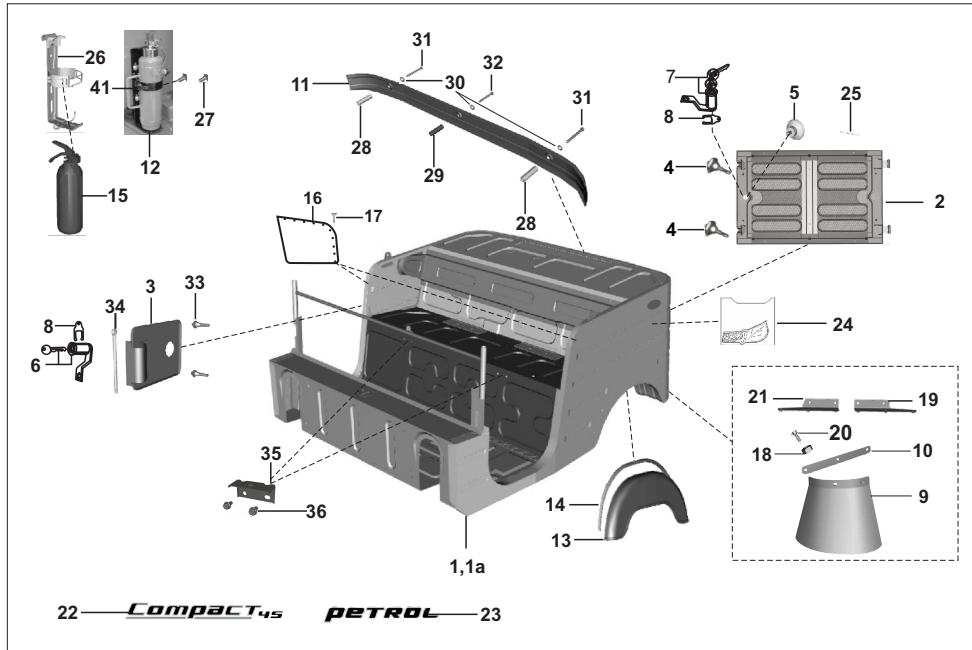
No.	Part No.	Description	COMPACT			COMPACT+		CARGO	Remarks
			AA	AF	AM	AZ	RA	AN	
1	52AL0392	Assly door RH AL241596	-	-	-	-	-	1	
2	52AL0395	Assly door LH AI241597	-	-	-	-	-	1	
3	AL241442	Beading door	-	-	-	-	-	2	
4	AL241693	Glass swivel	-	-	-	-	-	2	
5	AL241690	Beading front RH sw glass	-	-	-	-	-	1	
6	AL241689	Beading front LH sw glass	-	-	-	-	-	1	
7	AL241692	Beading rear RH sw glass	-	-	-	-	-	1	
8	AL241691	Beading rear LH sw glass	-	-	-	-	-	1	
9	AL241696	Glass fixed cargo	-	-	-	-	-	2	
10	AL241695	Beading fixed glass	-	-	-	-	-	2	
11	AL241482	Assly hinge upper RH-glass sw	-	-	-	-	-	1	
12	AL241455	Assly hinge upper LH -glass sw	-	-	-	-	-	1	
13	AL241474	Hinge assy lower RH-glass sw	-	-	-	-	-	1	
14	AL241456	Assly hinge lower LH-glass sw	-	-	-	-	-	1	
15	AL241465	Handle RH-glass swivel	-	-	-	-	-	1	
16	AL241457	Handle LH for glass swivel	-	-	-	-	-	1	
17	AL241477	Spacer for hinge assly lower	-	-	-	-	-	2	
18	AL241478	Spacer for hinge assly upper	-	-	-	-	-	2	
19	39190701	Mushroom head screw	-	-	-	-	-	4	
20	AL241774	Lever glass lock	-	-	-	-	-	1	
21	AL241775	Lock glass	-	-	-	-	-	2	
22	AL241701	Latch mechanism RH	-	-	-	-	-	1	
23	AL241700	Latch mechanism LH	-	-	-	-	-	1	

AA - Compact PET  
AF - Compact CNG  
AM - Compact LPG



No.	Part No.	Description	COMPACT			COMPACT+		CARGO	Remarks
			AA	AF	AM	AZ	RA	AN	
24	36AL0055	Lock RH for door without key	-	-	-	-	-	1	AL181043
25	36AL0054	Lock LH for door without key	-	-	-	-	-	1	AL181042
26	AL241221	Handle assly RH-door lock	-	-	-	-	-	1	
27	AL241220	Handle assly LH-door lock	-	-	-	-	-	1	
28	AL241609	Assly hinge upper RH	-	-	-	-	-	1	
29	AL241603	Assly hinge upper LH	-	-	-	-	-	1	
30	AL241614	Assly hinge lower RH	-	-	-	-	-	1	
31	AL241606	Assly hinge lower LH	-	-	-	-	-	1	
32	AL161662	Plate for hinge re 3wh cargo	-	-	-	-	-	2	
33	AL241662	Strip door limiting cargo	-	-	-	-	-	2	
34	AL241479	Pin step for handle	-	-	-	-	-	2	
35	AL241480	Spacer with collar glass mtg	-	-	-	-	-	4	
36	AL241475	Plate door latch for re 900	-	-	-	-	-	2	
37	AL241395	Knob door lock	-	-	-	-	-	2	
38	AL241481	Screw stepped M6X1X11	-	-	-	-	-	6	
39	39157006	Sleeve - spring dowel	-	-	-	-	-	2	
40	24231475	Nut dome cap-M5	-	-	-	-	-	2	
41	KADA0612	Bolt flanged	-	-	-	-	-	22	
42	KCGF0606	Nut - hexagon with flange m6	-	-	-	-	-	4	alt-39158115
43	KBBC0516	Screw pan cross	-	-	-	-	-	2	
44	AL241189	Spring glass lock	-	-	-	-	-	2	
45	AL241804	Grmt sw gl locking handle RH	-	-	-	-	-	1	
46	AL241803	Grmt sw gl locking handle LH	-	-	-	-	-	1	

AZ - Compact+ CNG  
RA - Compact+ LPG  
AN - Cargo CNG

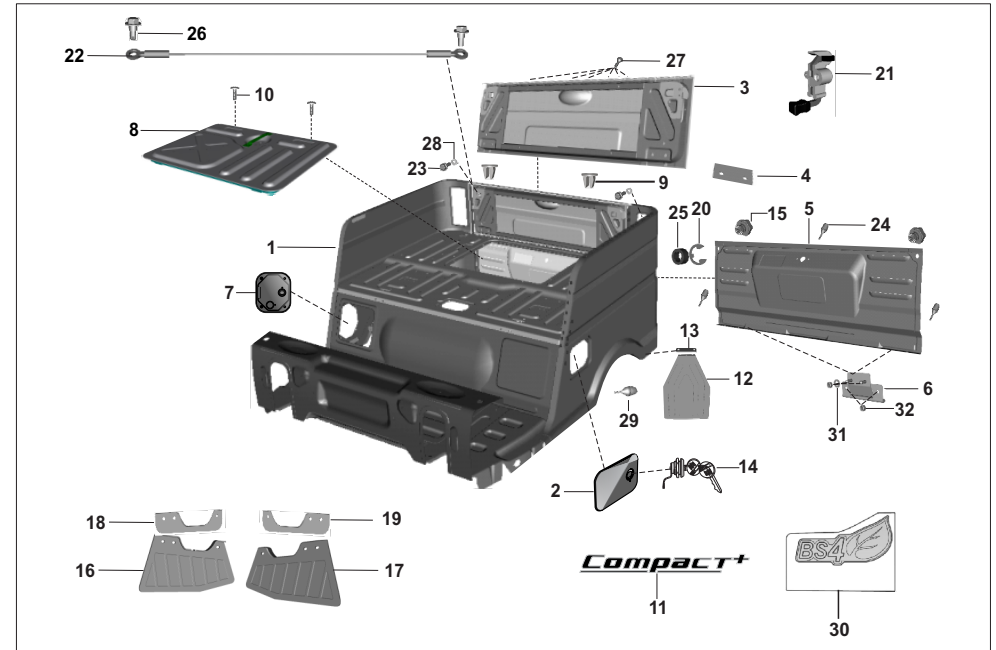
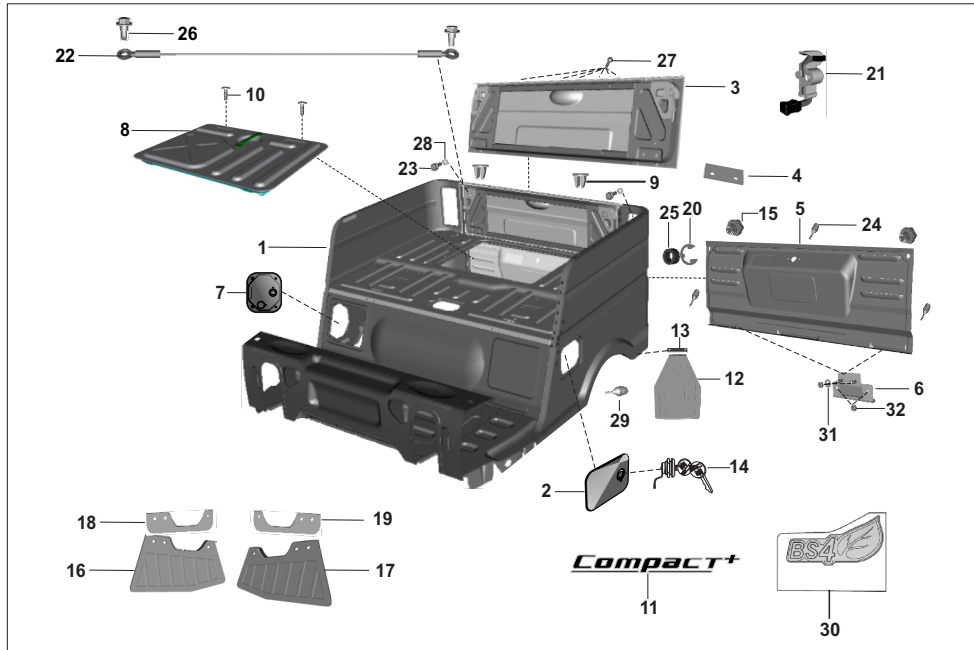


No.	Part No.	Description	COMPACT			COMPACT+		CARGO	Remarks
			AA	AF	AM	AZ	RA	AN	
1	52AA0876	Assly body comp. petrol	1	-	-	-	-	-	
1	52AF0218	Assly body comp. gas	-	1	1	-	-	-	
2	52AA0501	Assly rear door	1	1	1	-	-	-	
3	52BA0283	Door assly. side filling pet ED	1	-	-	-	-	-	
3	52AF0118	Door assly. side filling gas ED	-	1	1	-	-	-	
4	24231713	Assly knob for rear door	2	2	2	-	-	2	
5	24230176	knob complete for rear door	1	1	1	-	-	-	
6	36244044	Lock fuel filling door With Key	1	1	1	-	-	-	
7	36244024	Lock for rear door with key	1	1	1	-	-	-	Kit-22
8	01160717	Lock Clip	2	2	2	-	-	-	
9	24230185	Mud flap	2	2	2	-	-	-	
10	24231157	Stripe RE mudguard flap	2	2	2	-	-	-	
11	52240760	Bumper assly ED	1	1	1	-	-	-	
12	AS230005	Clamp fire ex.bkt	-	1	1	1	1	-	
13	52210040	Rear mudguard assly. ED	2	2	2	-	-	-	
14	25231064	Beading for rear mudguard	2	2	2	-	-	-	
15	AF221005	Extinguisher fire	-	1	1	1	1	1	
15a	AF221007	Extinguisher fire and bkt assy	-	-	-	-	-	1	
16	24231499	Cover side	2	2	2	-	-	-	
17	24231630	Screw self drill bh	10	10	10	-	-	-	
18	KCAD0504	Nut hex thick-rear mud	8	8	8	-	-	-	

AA - Compact PET  
AF - Compact CNG  
AM - Compact LPG

No.	Part No.	Description	COMPACT			COMPACT+		CARGO	Remarks
			AA	AF	AM	AZ	RA	AN	
19	24231090	Angle right hand rear mud flap	1	1	1	-	-	-	
20	KAAA0514	Bolt	10	10	10	-	-	-	
21	24231091	Angle left hand rear mud flap	1	1	1	-	-	-	
22	AA251006	Label compact 4s black	1	1	1	-	-	-	
22	AA251005	Label compact 4s white	1	1	1	-	-	-	
23	24221033	Emblem petrol	1	-	-	-	-	-	
24	24231876	Lable BSIV Compact	1	1	1	-	-	-	
25	39014708	Split pin	1	1	1	-	-	1	
26	AF221022	Assly bracket fire exting mtg	-	1	1	1	1	-	
26	AF221006	Bracket extinguisher fire safex	-	-	-	-	-	1	
27	KBUA0612	Screw truss fire exti.	-	2	2	2	2	-	
28	24165274	Sleeve bumper side	2	2	2	-	-	-	
29	24165273	Sleeve bumper midle	1	1	1	-	-	-	
30	KDAB1018	Washer_plain_small	3	3	3	-	-	-	
31	KAAG0885	Bolt	2	2	2	-	-	-	
32	KAAG0870	Bolt	1	1	1	-	-	-	
33	AA231126	Damper for door filling	2	-	-	-	-	-	
34	39015608	Pin split	1	-	-	-	-	-	
35	24231705	Brack. seat mounting passenger	1	1	1	-	-	-	
36	KADA0612	Bolt flanged	4	4	4	-	-	-	

AZ - Compact+ CNG  
RA - Compact+ LPG  
AN - Cargo CNG

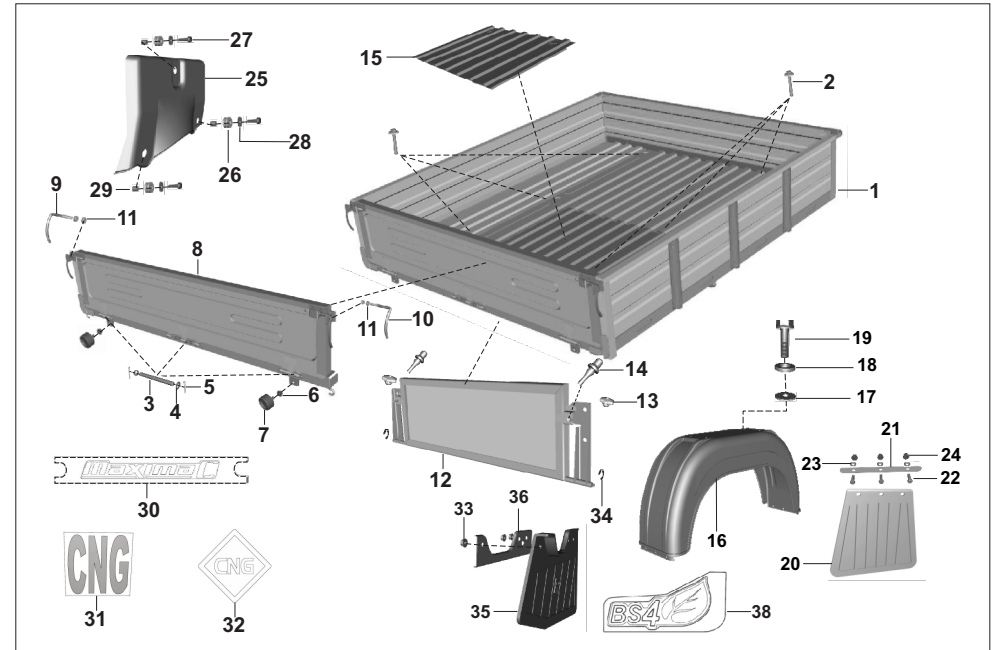
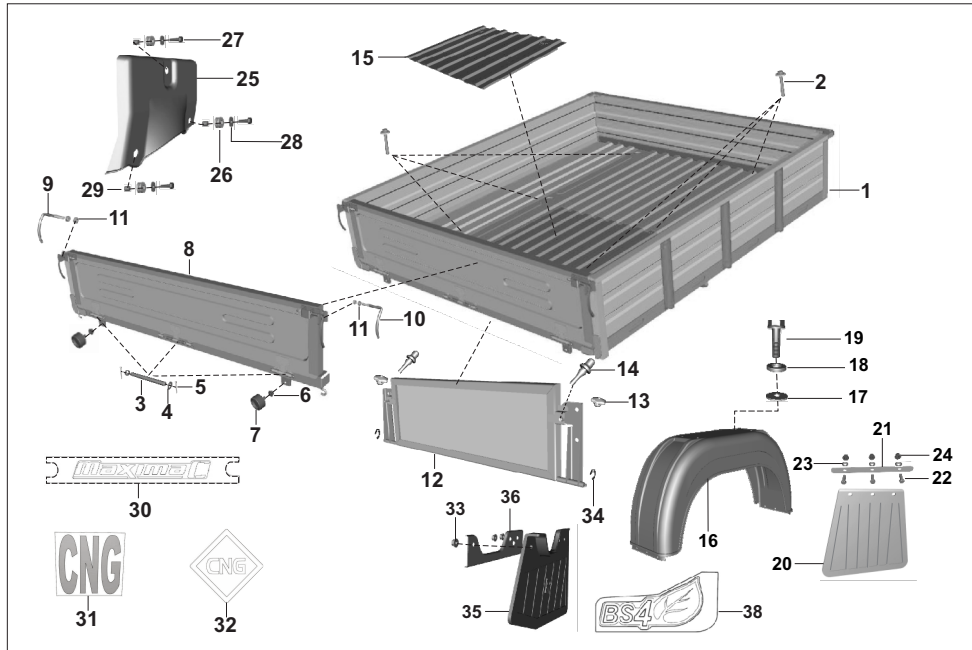


No.	Part No.	Description	COMPACT			COMPACT+		CARGO	Remarks
			AA	AF	AM	AZ	RA		
1	52AZ0150	Assly body complete .gas	-	-	-	1	1	-	
2	52BH0056	Door assly fuel filling ED	-	-	-	1	1	-	
3	52BH0058	Door rear upper ED	-	-	-	1	1	-	
4	BH241400	Hinge door rear upper	-	-	-	1	1	-	
5	52BH0059	Door rear lower ED	-	-	-	1	1	-	
6	BH211181	Hinge door rear lower	-	-	-	2	2	-	
7	52AZ0053	Cover assy gas filling	-	-	-	1	1	-	
8	52BH0057	Door engine access	-	-	-	2	2	-	
9	AL161509	Grommet screw eng door	-	-	-	2	2	-	
10	39190701	Screw - truss cross	-	-	-	2	2	-	
11	AZ233007	Label compact plus black	-	-	-	1	1	-	
11	AZ233006	Label compact plus white	-	-	-	1	1	-	
12	BH181401	Flap mud RR	-	-	-	2	2	-	
13	BH181402	Plate for mudflap	-	-	-	2	2	-	
14	36AA4015	Lock for door side filling w key	-	-	-	1	1	-	
15	BH211165	Knob rear door	-	-	-	1	1	-	
16	BB161244	Mudflap rear LH	-	-	-	1	1	-	
17	BB161245	Mudflap rear RH	-	-	-	1	1	-	
18	BH181405	Plate mudflap support LH	-	-	-	1	1	-	
19	BH181406	Plate mudflap support RH	-	-	-	1	1	-	

AA - Compact PET  
AF - Compact CNG  
AM - Compact LPG

No.	Part No.	Description	COMPACT			COMPACT+		CARGO	Remarks
			AA	AF	AM	AZ	RA		
20	KECA0415	Circlip for knob	-	-	-	2	2	-	
21	BH241800	Latch door rear upper	-	-	-	2	2	-	
22	BH241402	Cable door holding	-	-	-	2	2	-	
23	LAD00064	Bolt flanged-m6x1x1 20xpre-coat	-	-	-	2	2	-	
24	BH211158	Rubber damper rear door lower	-	-	-	3	3	-	
25	BH211163	Rubber damper	-	-	-	2	2	-	
26	BH211057	Bolt shoulder	-	-	-	4	4	-	
27	BG221003	Pad rubber for engine door	-	-	-	6	6	-	
28	39130911	Plain washer	-	-	-	2	2	-	
29	06221028	Shock absorber pad	-	-	-	2	2	-	
30	BH233012	Lable BSIV Compact+	-	-	-	1	1	-	
31	KDAB0816	Washer_plain_small	-	-	-	4	4	-	
32	KCAA0605	Nut hex thick	-	-	-	8	8	-	

AZ - Compact+ CNG  
RA - Compact+ LPG  
AN - Cargo CNG

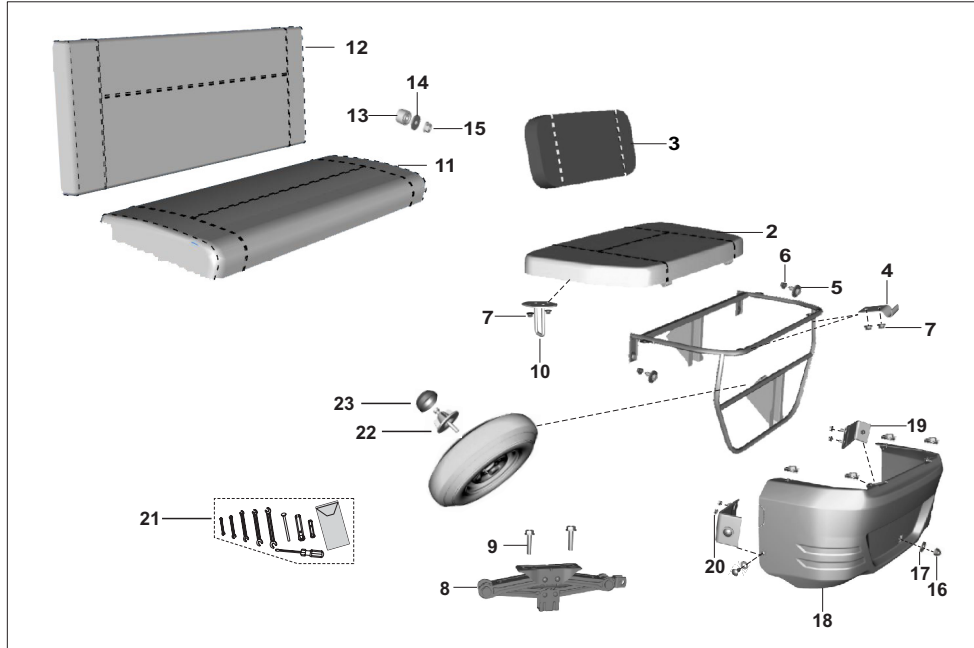


No.	Part No.	Description	COMPACT			COMPACT+		CARGO	Remarks
			AA	AF	AM	AZ	RA		
1	52AL0390	Assly tray load body complete	-	-	-	-	-	1	
2	AL241784	Bolt combination tray	-	-	-	-	-	6	
3	AL241405	Hinge pin	-	-	-	-	-	3	
4	39272711	Washer-plain	-	-	-	-	-	6	
5	39078708	Pin Cotter	-	-	-	-	-	6	
6	39229515	Nut flanged- ex.tube-cyl head	-	-	-	-	-	2	
7	AL241767	Rubber stopper tray rear door	-	-	-	-	-	2	
8	52AL0396	Assly panel rear door ED	-	-	-	-	-	1	
9	AL241277	Handle assly LH	-	-	-	-	-	1	
10	AL241278	Handle assly RH	-	-	-	-	-	1	
11	39029615	Hexagon nut-M10	-	-	-	-	-	4	
12	BB161171	Assly guard rear	-	-	-	-	-	1	
13	24231245	Knob rear door lower	-	-	-	-	-	2	
14	24230198	Pad rubber	-	-	-	-	-	2	
15	52AL0391	Assly engine access cover	-	-	-	-	-	1	
16	AL161377	Rear mudguard	-	-	-	-	-	2	
17	39081411	Plain washer	-	-	-	-	-	8	
18	39026312	Washer spring	-	-	-	-	-	8	
19	39190204	Bolt-flanged-small	-	-	-	-	-	8	
20	AL161226	Mud flap For rear mudguard	-	-	-	-	-	2	
21	AL161229	Strip for mud flap	-	-	-	-	-	2	

AA - Compact PET  
AF - Compact CNG  
AM - Compact LPG

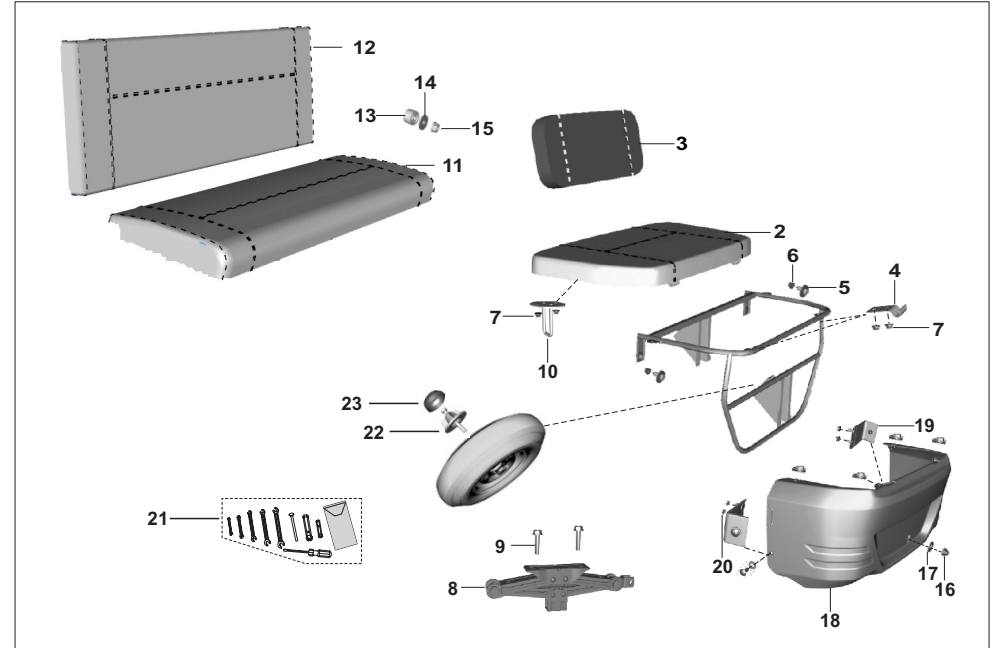
No.	Part No.	Description	COMPACT			COMPACT+		CARGO	Remarks
			AA	AF	AM	AZ	RA		
22	39007104	Hex head screw-M5	-	-	-	-	-	6	
23	39026212	Washer - spring	-	-	-	-	-	6	
24	39248415	Hexagon nut-m5	-	-	-	-	-	6	
25	AL101053	Guard splash	-	-	-	-	-	2	
26	DG141019	Damper	-	-	-	-	-	3	
27	39155204	Flange bolt-M6	-	-	-	-	-	3	
28	39121111	Plain washer	-	-	-	-	-	3	
29	31201001	Collar	-	-	-	-	-	3	
30	AL221036	Label maxima c rear black	-	-	-	-	-	1	
30	AL221040	Label maxima c rear white	-	-	-	-	-	1	
31	AF161040	Label CNG as per delhi req	-	-	-	-	-	1	
32	AF161024	Label CNG	-	-	-	-	-	1	
33	KCGA0505	Nut hex flanged	-	-	-	-	-	6	
34	39064517	Circlip e-type	-	-	-	-	-	2	
35	BB161244	Mudflap rear LH	-	-	-	-	-	1	
35	BB161245	Mudflap rear RH	-	-	-	-	-	1	
36	BH181405	Plate mudflap support LH	-	-	-	-	-	1	
36	BH181406	Plate mudflap support RH	-	-	-	-	-	1	

AZ - Compact+ CNG  
RA - Compact+ LPG  
AN - Cargo CNG



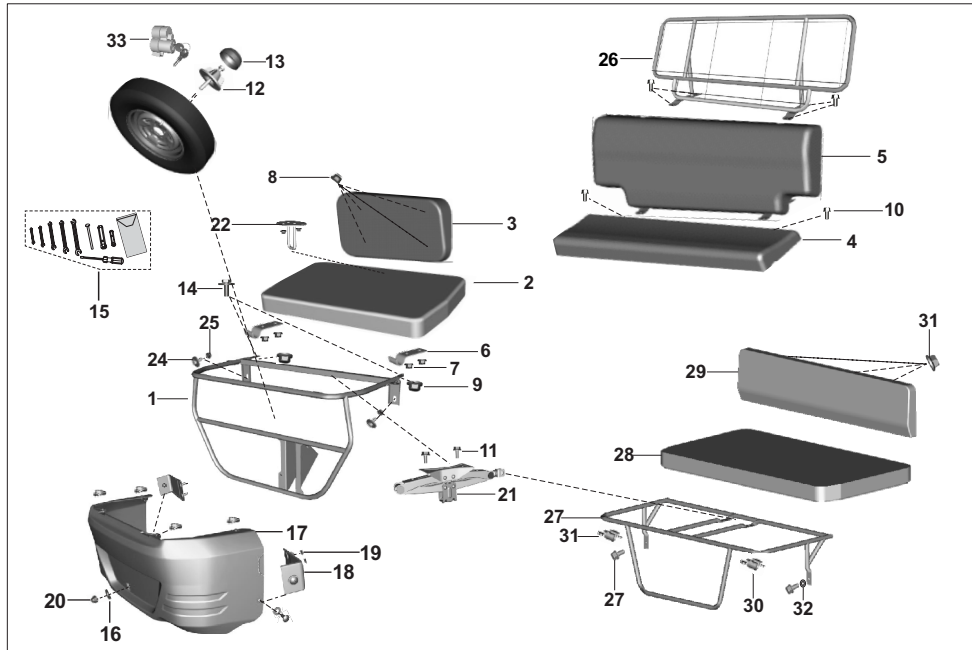
No.	Part No.	Description	COMPACT			COMPACT+		CARGO	Remarks
			AA	AF	AM	AZ	RA	AN	
1	24211028	Assly frame driver seat	1	1	1	-	-	-	
2	AA210036	Assly driver seat brown	1	1	1	-	-	-	
3	AA210037	Assly driver backrest brown	1	1	1	-	-	-	
4	AA210052	Backrest assembly driver brown	1	1	1	-	-	-	
5	BH191032	Bracket seat base mtg	2	2	2	-	-	-	
6	24211026	Bolt combination	2	2	2	-	-	-	
7	39229515	Nut flanged- ex.tube-cyl head	2	2	2	-	-	-	
8	39197215	Nut - hexagon with flange	6	6	6	-	-	-	
9	24221047	Jack assly complete	1	1	1	-	-	-	
10	KADD0630	Bolt flanged	2	2	2	-	-	-	
11	24211035	Hook driver seat	1	1	1	-	-	-	
12	AA210022	Assly passenger seat	1	1	1	-	-	-	
13	AA231262	Assly passenger seat white	1	1	1	-	-	-	
14	AF231183	Assly passenger seat green	1	1	1	-	-	-	
15	AA210024	Assly passenger backrest	1	1	1	-	-	-	
16	AA231263	Assly passenger backrest white	1	1	1	-	-	-	
17	AF231184	Assly backrest pass green	1	1	1	-	-	-	
18	24231421	Spacer behind pass backrest	3	3	3	-	-	-	
19	39021111	Washer plain	3	3	3	-	-	-	
20	39079815	Nut hexagon with flange M6	5	5	5	-	-	-	
21	KCEA0605	Nut dome cap single	1	1	1	1	1	-	

AA - Compact PET  
AF - Compact CNG  
AM - Compact LPG



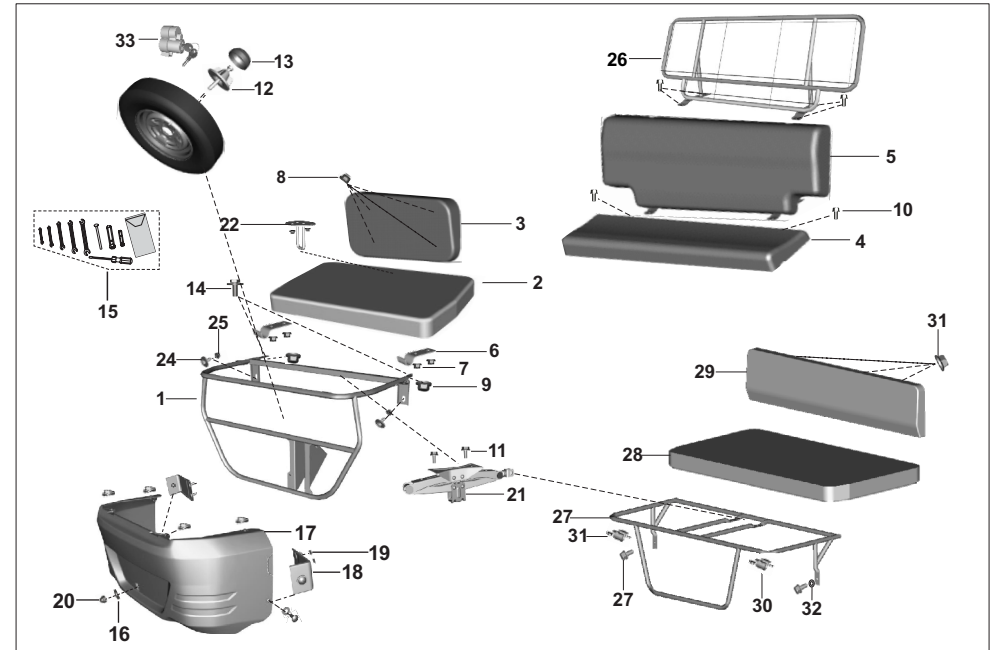
No.	Part No.	Description	COMPACT			COMPACT+		CARGO	Remarks
			AA	AF	AM	AZ	RA	AN	
17	KDBB0818	Washer plain	2	2	2	-	-	-	
18	24211037	Enclosure - driver seat	1	1	1	1	1	-	
19	24231806	Bracket enclosure side mtg	2	2	2	2	2	-	
20	KCGC0606	Nut hex flanged	4	4	4	4	4	-	
21	AA221033	Toolkit complete	1	1	1	-	-	-	
22	BH131407	Cover spare wheel	-	-	-	1	1	-	
23	BH131405	Cap Anti theft	-	-	-	1	1	-	

AZ - Compact+ CNG  
RA - Compact+ LPG  
AN - Cargo CNG



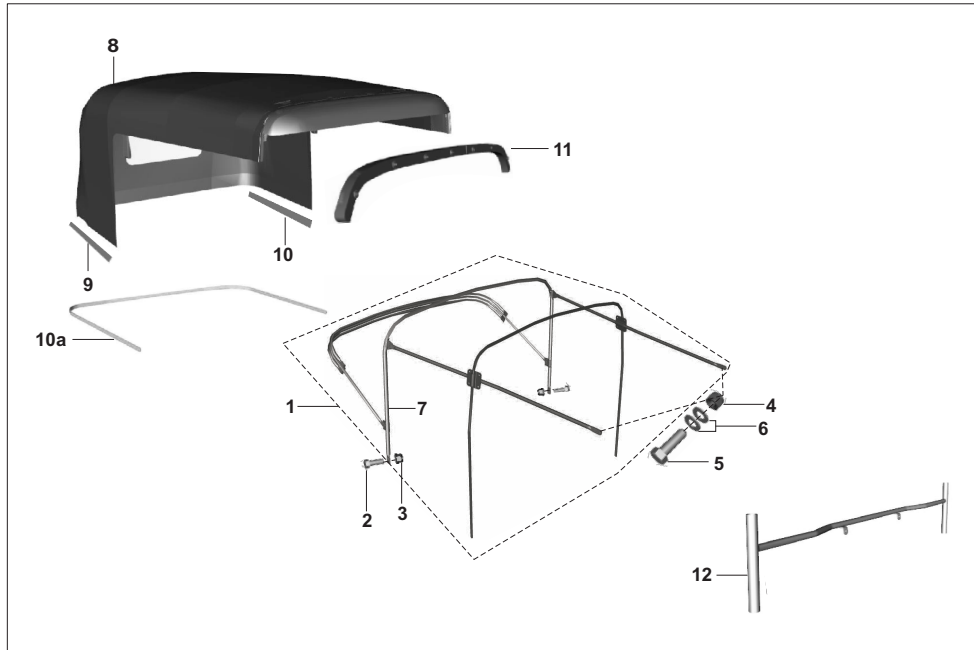
No.	Part No.	Description	COMPACT			COMPACT+		CARGO	Remarks
			AA	AF	AM	AZ	RA	AN	
1	BH191052	Assly frame driver seat	-	-	-	1	1	-	
2	24211029	Assly seat driver	-	-	-	1	1	-	
3	BH191019	Driver backrest	-	-	-	1	1	-	
4	BH191009	Seat assly. Passenger	-	-	-	1	1	-	
5	BH191022	Back rest assly. Passenger	-	-	-	1	1	-	
6	BH191032	Bracket seat base mtg	-	-	-	2	2	-	
7	39197215	Nut - Driver seat	-	-	-	6	6	6	
8	39248415	Nut -Driver backrest	-	-	-	4	4	4	
9	KCGA0606	Nut - seat frame	-	-	-	2	2	2	
10	39155604	Bolt M-8 Passenger seat	-	-	-	6	6	-	
11	KADD0630	Bolt - (Jack assly)	-	-	-	2	2	-	
12	BH131407	Cover spare wheel	-	-	-	1	1	-	
13	BH131405	Cap Anti theft	-	-	-	1	1	-	
14	LAG00002	Bolt	-	-	-	2	2	-	
15	AZ231000	Tool kit complete	-	-	-	1	1	-	
16	KDBB0818	Washer plain	2	2	2	-	-	-	
17	24211037	Enclosure - driver seat	1	1	1	1	1	-	
18	24231806	Bracket enclosure side mtg	2	2	2	2	2	-	
19	KCGC0606	Nut hex flanged	4	4	4	4	4	-	
20	KCEA0605	Nut dome cap single	1	1	1	1	1	-	

AA - Compact PET  
AF - Compact CNG  
AM - Compact LPG



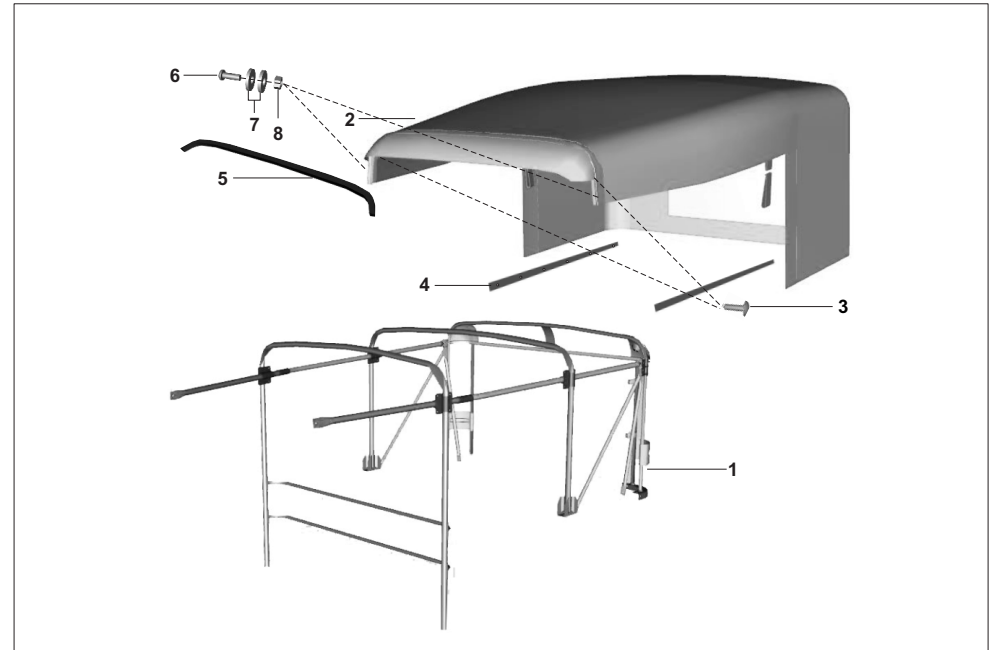
No.	Part No.	Description	COMPACT			COMPACT+		CARGO	Remarks
			AA	AF	AM	AZ	RA	AN	
21	BB221004	Jack assly.	-	-	-	1	1	1	
22	24211035	Hook driver seat	-	-	-	1	1	-	
23	36BH0029	Spare wheel lock with key	-	-	-	2	2	-	
24	24211026	Bolt combination	-	-	-	2	2	2	
25	39229515	Nut flanged- ex.tube-cyl head	-	-	-	2	2	2	
26	BH191024	Frame for passenger backrest	-	-	-	1	1	-	
27	AL211019	Drive seat frame	-	-	-	-	-	1	
28	AN211001	Seat assembly drive	-	-	-	-	-	1	
29	AL211017	Backrest drive	-	-	-	-	-	1	
30	24231146	Clip	-	-	-	-	-	2	
31	39197215	Nut hexagon with flange	-	-	-	-	-	7	
32	39023011	Washer plain	-	-	-	-	-	2	
33	36BH0029	Lock spare wheel	-	-	-	1	1	-	

AZ - Compact+ CNG  
RA - Compact+ LPG  
AN - Cargo CNG



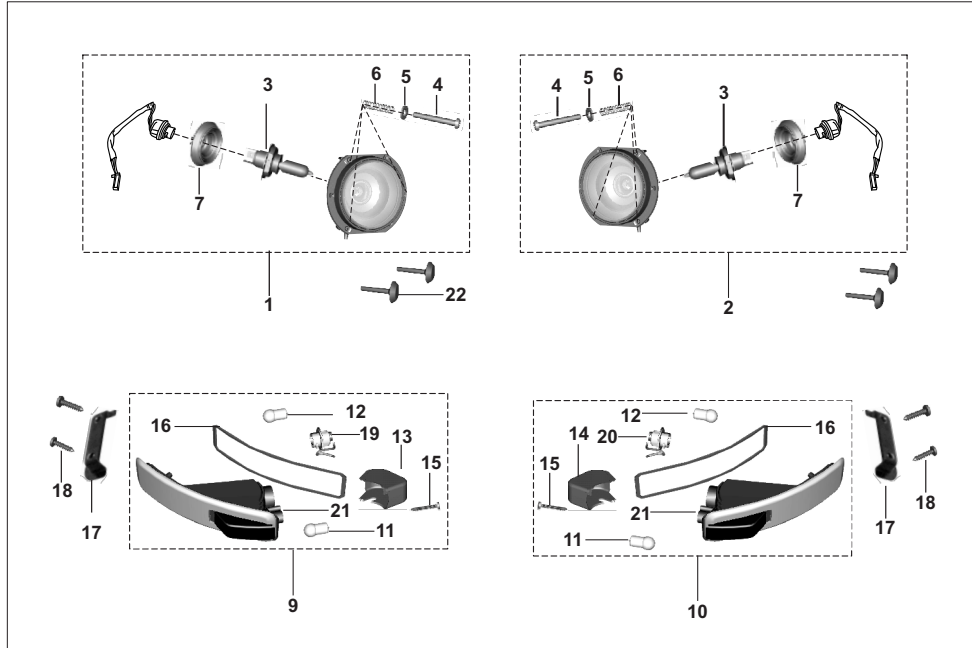
No.	Part No.	Description	COMPACT			COMPACT+		CARGO	Remarks
			AA	AF	AM	AZ	RA	AN	
1	24231748	Hood frame assly	1	1	1	-	-	-	
2	39155704	Bolt-flange	2	2	2	-	-	-	
3	39238315	Hex nut flange-M8	2	2	2	-	-	-	
4	KCHB0809	Nut nyloc	2	2	2	-	-	-	alt-KCHA0809
5	KAAA0825	Bolt	2	2	2	-	-	-	
6	KDAC0816	Washer_plain_small	4	4	4	-	-	-	
7	24231750	Assembly frame rear	1	1	1	-	-	-	
8	AA231297	Hood complete	1	1	1	-	-	-	
8	AA231320	Hood complete black	1	1	1	-	-	-	
8	AA231330	Hood complete yellow	1	1	1	-	-	-	
8	AA231322	Hood complete white	1	-	-	-	-	-	
8	AF231213	Hood complete black	-	1	1	-	-	-	
8	AF231219	Hood complete yellow	-	1	1	-	-	-	
8	AF231215	Hood complete green	1	1	1	-	-	-	
9	AF231214	Hood complete mushroom	-	1	1	-	-	-	
9	24231761	Stripe hood fixing smaller	1	1	1	-	-	-	
9	24231867	Strip hood pet-short	1	1	1	-	-	-	fr.30.06.2017
10	24231762	Stripe hood fixing bigger	1	1	1	-	-	-	
10	24231866	Strip hood pet-long	1	1	1	-	-	-	fr.30.06.2017
10	24230417	Strip al-hood fixing	-	1	1	-	-	-	
10a	24231837	Strip hood fixing	1	1	1	-	-	-	fr.30.06.2017
11	24231772	Stick assly - hood	1	1	1	-	-	-	
11	24231775	Stick assly - hood	1	1	1	-	-	-	
12	24231620	Assly backrest support top	1	1	1	-	-	-	

AA - Compact PET  
AF - Compact CNG  
AM - Compact LPG



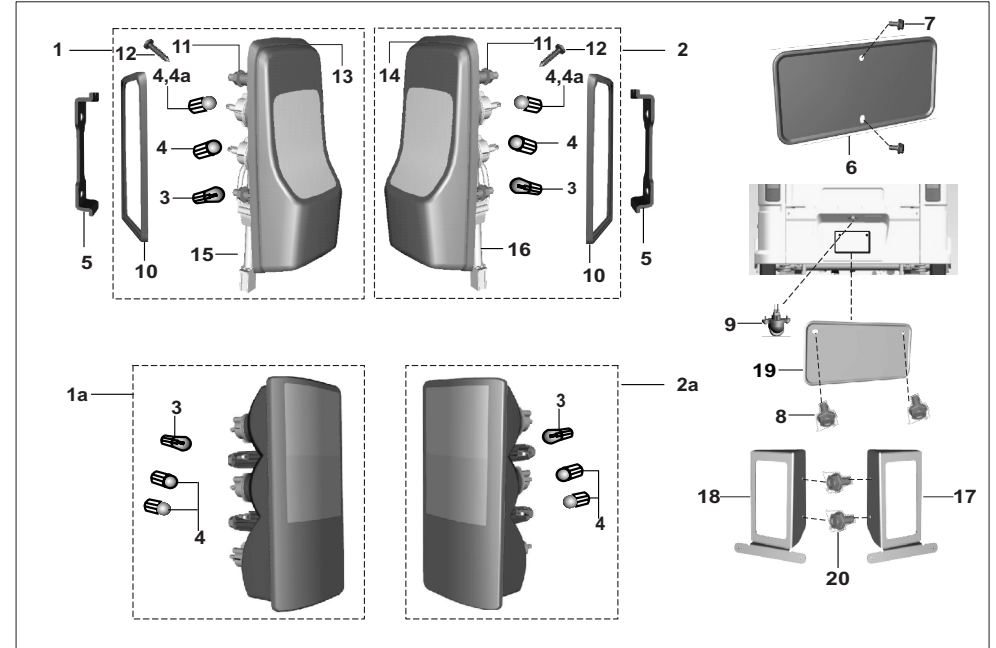
No.	Part No.	Description	COMPACT			COMPACT+		CARGO	Remarks
			AA	AF	AM	AZ	RA	AN	
1	BH213009	Hood frame assly	-	-	-	1	1	-	
2	BH213012	Hood complete	-	-	-	1	1	-	
2	AZ213006	Hood complete rex (yellow)	-	-	-	1	1	-	
3	24231630	Screw selfdrill- stripe	-	-	-	2	2	-	
4	AZ213107	Stripe hood fixing RR	-	-	-	2	2	-	alt-AT213001
5	24231775	Stick assly - hood	-	-	-	1	1	-	
6	39092101	Screw pan cross M4	-	-	-	2	2	-	
7	39025811	Plain washer	-	-	-	4	4	-	
8	39028715	Nut hexagon M4X0.7	-	-	-	2	2	-	

AZ - Compact+ CNG  
RA - Compact+ LPG  
AN - Cargo CNG



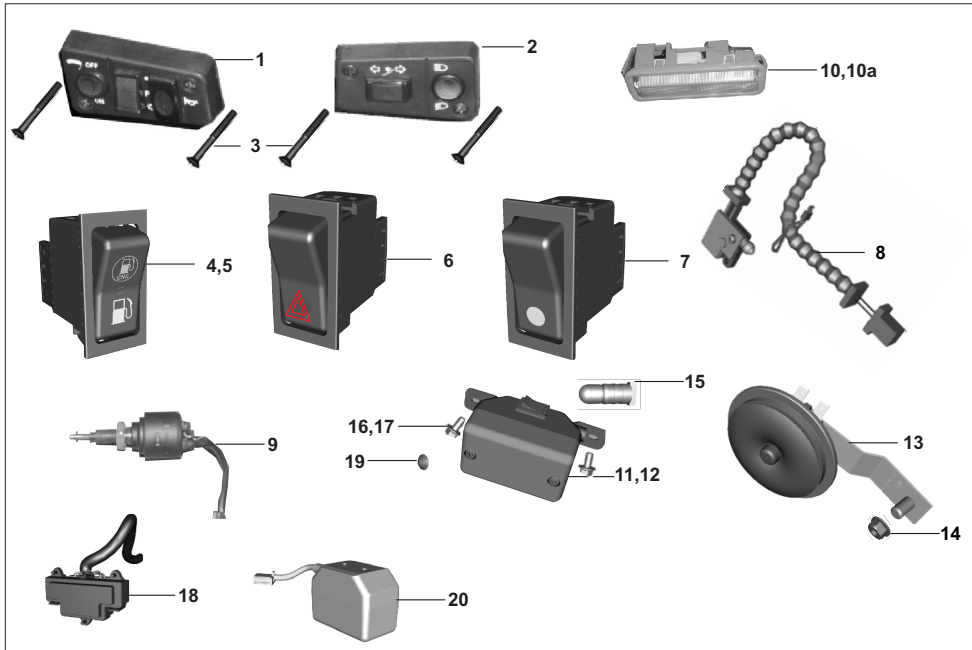
No.	Part No.	Description	COMPACT			COMPACT+		CARGO	Remarks
			AA	AF	AM	AZ	RA	AN	
1	AL201119	H/L Assly. LH	1	1	1	1	1	-	
1	BB201078	Light assly head LH	-	-	-	-	-	1	
2	AL201120	H/L Assly. RH	1	1	1	1	1	-	
2	BB201079	H/L Assly. RH	-	-	-	-	-	1	
3	CL201023	Lamp 12V-35/35w-HS1	2	2	2	2	2	2	
4	AA201264	Screw pan cross-M5	6	6	6	6	6	6	
5	39025811	Plain washer	6	6	6	6	6	6	
6	BB201070	Spring - Head lamp Mtg	6	6	6	6	6	6	
7	AA201262	Rubber cap headlamp	2	2	2	2	2	2	
9	24201487	Ind assly. Front LH/ Lamp	1	1	1	1	1	1	
10	24201488	Ind assly. Front RH/ Lamp	1	1	1	1	1	1	
11	JD401032	Bulb 12v 5w e-marked	2	2	2	2	2	2	
12	18201044	Lamp :- 12v - 10w - r 10w	2	2	2	2	2	2	
13	24201485	Cover Side Indicator Front LH	1	1	1	1	1	1	
14	24201486	Cover Side Indicator Front RH	1	1	1	1	1	1	
15	KBRB3525	Screw Tapping Pan Slotted	2	2	2	2	2	2	alt-KBRB3519
16	24201484	Gasket Front Side Indicator	2	2	2	2	2	2	
17	24201523	Holder front indicator assly	2	2	2	2	2	2	
18	KBRC3516	Screw tapping pan cross	4	4	4	4	4	4	
19	24201502	Cable Fr Indi With Holder LH	1	1	1	1	1	1	
20	24201503	Cable Fr Indi With Holder RH	1	1	1	1	1	1	
21	24201504	Assly lens & rfltr fr ind	2	2	2	2	2	2	
22	BH111088	Grommet shield headlamp bkt	-	-	-	-	-	4	

AA - Compact PET  
AF - Compact CNG  
AM - Compact LPG



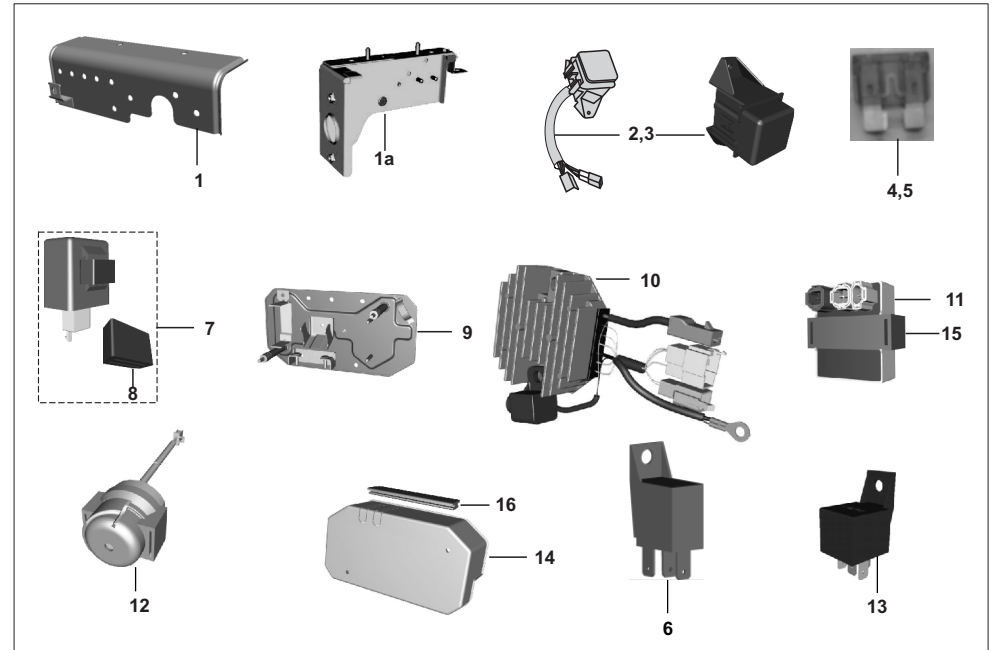
No.	Part No.	Description	COMPACT			COMPACT+		CARGO	Remarks
			AA	AF	AM	AZ	RA	AN	
1	BB201104	Lamp assembly tail-LH	1	1	1	-	-	1	
1a	AA201199	Tail light assy LH with lamp	-	-	-	1	1	-	
2	BB201105	Lamp assembly tail-RH	1	1	1	-	-	1	
2a	AA201201	Tail light assy RH with lamp	-	-	-	1	1	-	
3	20201029	Lamp 12V 21/5W	2	2	2	2	2	2	
4	GH201012	Lamp:-12V-10W (colour:-Amber)	4	4	4	-	-	4	
4	18201044	Lamp :- 12V - 10W - R 10W	4	4	4	4	4	4	
5	AA201090	Bracket - Tail Lamp	2	2	2	2	2	2	
6	22161221	Plate -number rear	1	1	1	-	-	-	
7	39168004	Bolt	2	2	2	-	-	-	
8	39194404	Flange Bolt	-	-	-	4	4	-	
8	KADB0612	Bolt flanged	-	-	-	-	-	2	
9	BH401004	Number plate light with lamp	-	-	-	1	1	-	
10	24201476	Packing (Tail Lamp)	2	2	2	-	-	2	
11	KCGD0606	Nut hex flanged ind bkt	4	4	4	4	4	4	
12	KBRA4219	Screw tapping pan cross	4	4	4	-	-	4	
13	24201477	Lens tail light LH refl	1	1	1	-	-	1	
14	24201499	Lens tail light RH refl	1	1	1	-	-	1	
15	BB201109	Cable taillamp with holder LH	1	1	1	-	-	1	
16	BB201110	Cable taillamp with holder RH	1	1	1	-	-	1	
17	BB161184	Assly bkt tlamp & no plate	-	-	-	-	-	1	
18	BB161182	Bracket tail lamp mtg LH	-	-	-	-	-	1	
19	AL161152	Plate number for rear	-	-	-	-	-	1	
20	KADA0814	Bolt flanged	-	-	-	-	-	4	

AZ - Compact+ CNG  
RA - Compact+ LPG  
AN - Cargo CNG



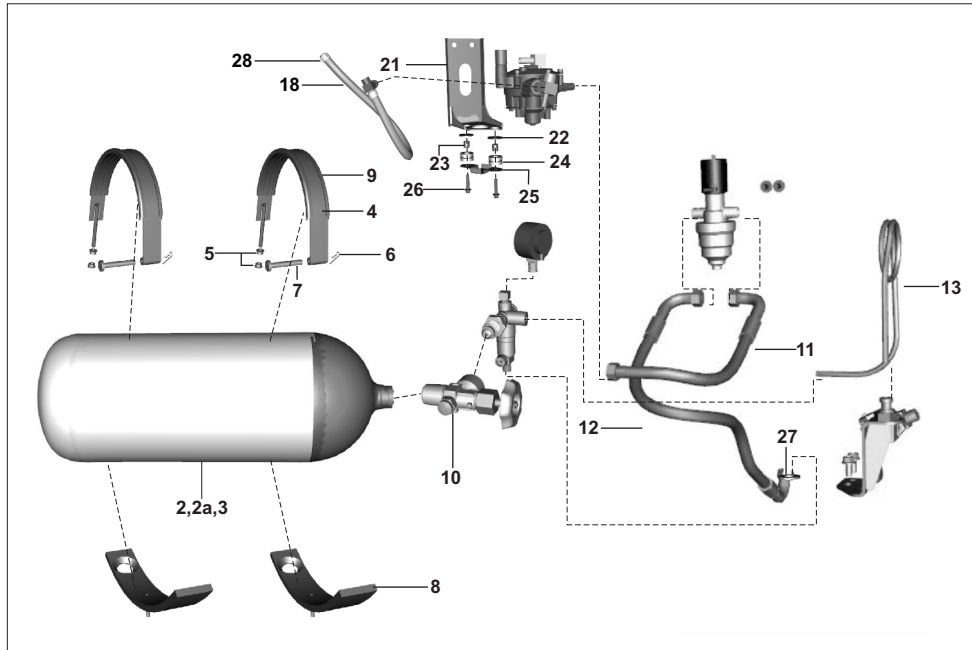
No.	Part No.	Description	COMPACT			COMPACT+		CARGO	Remarks
			AA	AF	AM	AZ	RA	AN	
1	AL201060	Control switch LH	1	1	1	1	1	1	
2	AM201116	Control switch RH	1	1	1	1	1	1	
3	AL201062	Screw switch	4	4	4	4	4	4	
4	AZ401400	Switch G O P selection	-	1	-	1	-	1	
5	RA401400	Switch G O P selection	-	-	1	-	1	-	
6	AB201077	Hazard switch	1	1	1	1	1	1	
7	AL201031	Switch 2 position	1	1	1	1	1	1	
8	24201421	Reverse switch with cable assly.	1	1	1	1	1	-	
9	AF201094	Brake switch	1	1	1	1	1	1	
10	24201415	Cabin light assly with lamp	1	1	1	-	-	-	
10a	24201416	Cablet assly cabin light	1	1	1	-	-	-	
11	AL201039	Lamp (light) Assly - Cabin	-	-	-	1	1	1	
12	AP201058	Cabin light assly	-	-	-	1	1	1	
13	AA201239	Horn DC 12v with transil diode	1	1	1	1	1	1	
14	39229515	Nut flanged	1	1	1	1	1	1	
15	24201515	Bulb 12v,10w,capless cab lt	1	1	1	1	1	1	
16	39220804	Bolt flanged M5x10 cabin light	2	2	2	2	2	2	
17	KADS0510	Bolt flange-cabin light (..1039)	-	-	-	-	-	2	
18	24201442	Indicator assly_cng	-	-	-	-	-	2	
19	BH111092	Grommet wiring harness FL	-	-	-	-	-	2	
20	AA201305	Lamp engine cabin re compact	1	1	1	-	-	-	

AA - Compact PET  
AF - Compact CNG  
AM - Compact LPG



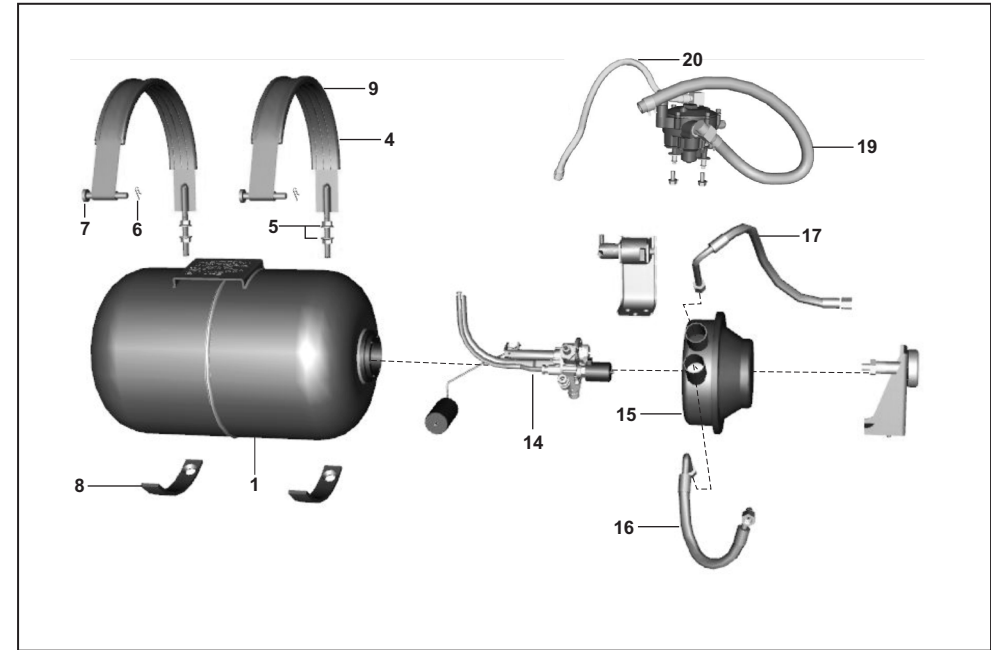
No.	Part No.	Description	COMPACT			COMPACT+		CARGO	Remarks
			AA	AF	AM	AZ	RA	AN	
1	AP201037	Plate electrical units front	1	1	1	1	1	-	
1	AL161273	Bracket assy electrical unit	-	-	-	-	-	1	
1a	AT111042	Front electrical plate	-	-	-	-	-	1	fr.22.09.2017
2	AA201185	Fuse box assly with fuse	1	-	-	-	-	-	
3	AN201012	Fuse box assly gas	-	1	1	1	1	1	
4	AK201012	Fuse blade type 10 Amp	7	7	7	6	6	6	
5	DG201084	Fuse blade type 30 Amp	1	1	1	1	1	1	
6	AL201012	Head lamp control unit	2	2	2	2	2	2	
7	AB201076	Relay Flasher	1	1	1	1	1	1	
8	31201029	Holder for relay	1	1	1	1	1	1	
9	AZ111156	Plate assembly electrical rear	1	1	1	1	1	-	
9	AN161316	Plate assembly electrical-rear	-	-	-	-	-	1	
10	AF201036	Assly. regulator	1	1	1	1	1	1	
11	AA111196	Assly cdi -compact 4s dom	1	-	-	-	-	-	
11	AF111026	Assly cdi- cng	-	1	-	-	-	-	
11	AM110003	Assly cdi- lpg	-	-	1	-	1	-	
11	AN111037	Assly cdi- cng	-	-	-	1	-	1	
12	JN351604	Starter relay	1	1	1	1	1	1	
13	AF201001	Relay	1	1	1	1	1	1	
14	AA161283	Cover rear electrical plate	1	1	1	1	1	1	
15	AA111120	Damper for cdi-205	1	1	1	1	1	1	
16	AA161081	Packing - cover	1	1	1	-	-	1	

AZ - Compact+ CNG  
RA - Compact+ LPG  
AN - Cargo CNG



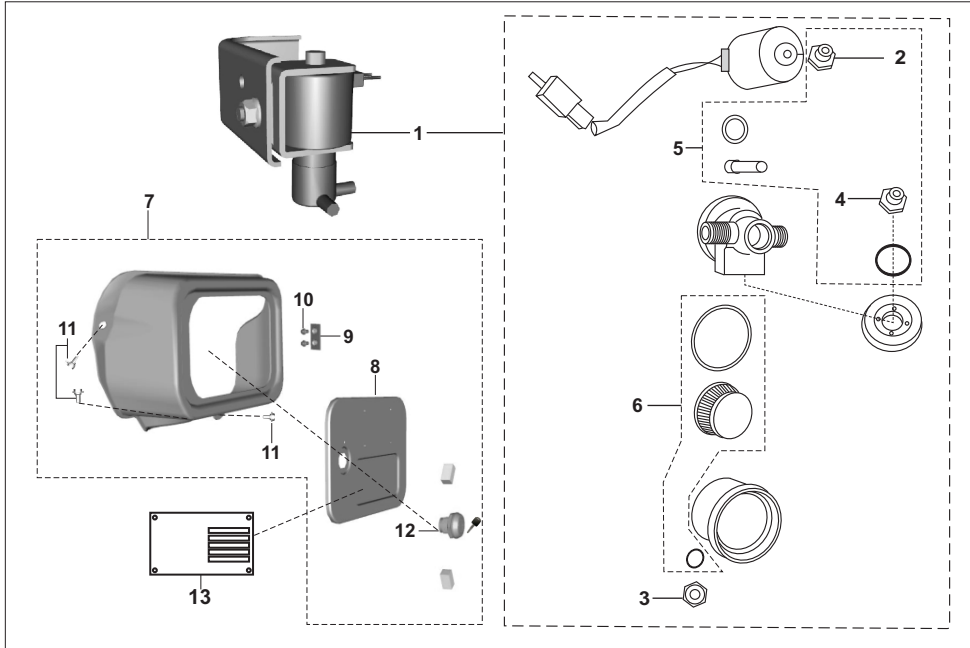
No.	Part No.	Description	COMPACT			COMPACT+		CARGO	Remarks
			AA	AF	AM	AZ	RA		
1	AM141003	LPG cylinder- vanaz-20 ltr.	-	-	1	-	1	-	
2	AF141059	CNG cylinder - vanaz kit-30 ltr	-	1	-	1	-	-	
3	AN141041	Cylinder cng ekc dia 316 wc40l	-	-	-	-	-	1	
4	AF161098	Assly strap	-	2	2	2	2	-	
4	AN141054	Strap assly	-	-	-	-	-	2	
5	KCGD1010	Hexagon nut	-	4	4	4	4	4	
6	24141091	Clip spring	-	2	2	2	2	2	
7	AF161059	Pin for cylinder clamping strip	-	2	2	2	2	2	
8	AF161100	Packing lower for gas cylinder	-	2	2	2	2	-	
8	AN141057	Packing lower	-	-	-	-	-	2	
9	AF161097	Beading for strap	-	1	1	1	1	-	
9	AN141056	Beading for strap	-	-	-	-	-	1	
10	AF141030	Valve cng vanaz	-	1	-	1	-	1	
11	24121498	Hose solenoid to lpr	-	1	-	1	-	1	
12	24121500	Hose	-	1	-	1	-	1	
13	AZ172017	Assy steel tube	-	-	-	1	-	-	
14	AU172078	Assy -multifunction valve comp.	-	-	1	-	1	-	
15	24121418	Eal box assy.-zero deg	-	-	1	-	1	-	
16	24121434	Assy hose mfv to lpr-0 deg cyl	-	-	1	-	1	-	
17	AM121105	Hose flexible assy.-filler	-	-	1	-	1	-	

AA - Compact PET  
AF - Compact CNG  
AM - Compact LPG



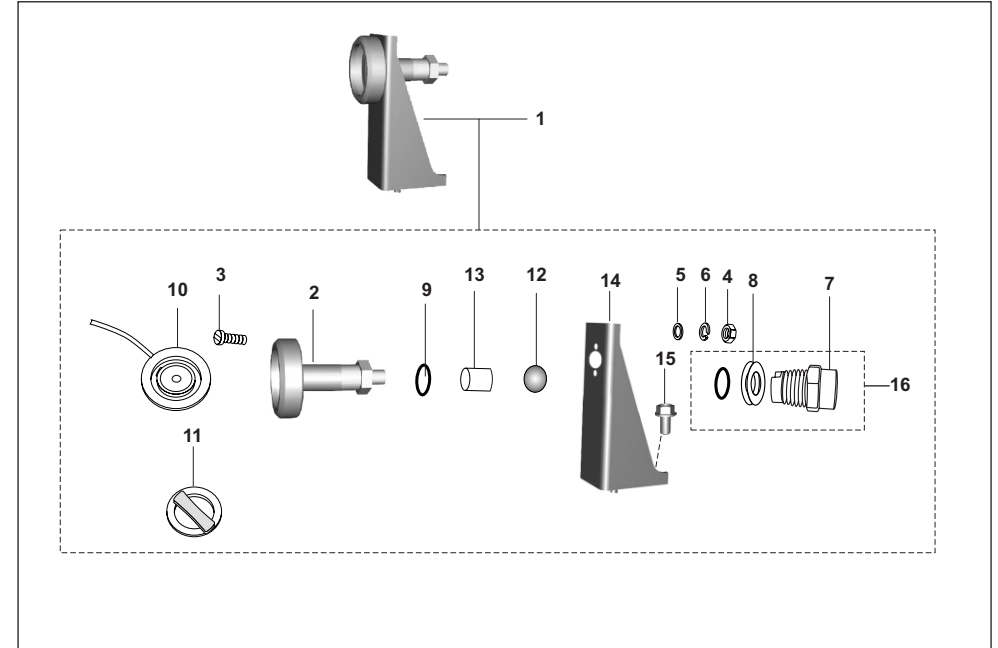
No.	Part No.	Description	COMPACT			COMPACT+		CARGO	Remarks
			AA	AF	AM	AZ	RA		
18	AF121514	Hose low pressure cng	-	1	-	-	-	-	
18	AN121220	Hose low pressure cng	-	-	-	1	-	1	
19	AM121163	Low pressure hose pipe	-	-	1	-	1	-	
20	RA172020	Hose lpr to mixer	-	-	-	-	1	-	
21	AF121489	Bracket LPR mounting	-	1	1	-	-	-	
21	AZ172004	Bracket LPR mounting	-	-	-	1	1	-	
22	JS113802	Washer	-	2	2	2	2	2	
23	JS113801	Bush lpr vanaz	-	2	2	2	2	2	
24	DG141019	Damper	-	2	2	2	2	2	
25	24161423	Guard LPR breather	-	1	1	1	1	1	
26	JS172014	Flange screw	-	2	2	2	2	2	
27	AF121012	Washer for re4s-cng	-	2	-	2	-	2	
28	24121354	Clip -low pressure cng hose	-	2	2	-	2	-	
28	AA141049	Spring band clip 13.8	-	2	2	2	2	2	

AZ - Compact+ CNG  
RA - Compact+ LPG  
AN - Cargo CNG



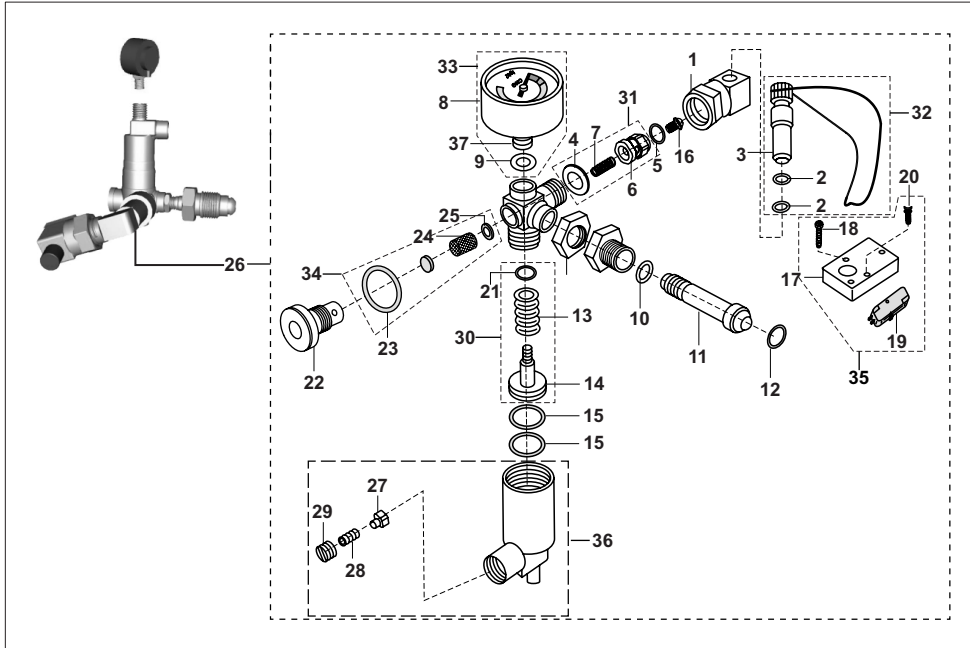
No.	Part No.	Description	COMPACT			COMPACT+		CARGO	Remarks
			AA	AF	AM	AZ	RA	AN	
1	24121656	Assly petrol solenoid with bkt	-	1	1	-	-	-	
1	RA402601	Solenoid petrol	-	1	1	-	-	-	
1	24201456	Solenoid -CNG paper filter	-	1	-	1	-	1	
1	AF201067	Solenoid cng paper filter vanaz	-	-	-	-	-	1	
2	AF121327	Lock nut	-	1	-	1	-	1	
3	AF121316	Drain plug	-	1	-	1	-	1	
4	AF121323	Bolt	-	1	-	1	-	1	
5	36AF0029	Kit coil assly	-	1	-	1	-	1	Kit-24
6	36AF0030	Kit paper filter	-	1	-	1	-	1	Kit-25
7	AN161235	Assembly box cng kit	-	-	-	-	-	1	
8	AN161126	Door assy for box cng kit	-	-	-	-	-	1	
9	AN161129	Plate assy for hinge mounting	-	-	-	-	-	1	
10	KAEF0608	Bolt-Flange	-	-	-	-	-	2	
11	AN161130	Bolt step(M6X1X14)	-	-	-	-	-	3	
12	36AA4015	Lock fuel filling cover with key	-	-	-	-	-	1	
13	AF221011	Plate compliance CNG	-	-	-	-	-	1	

AA - Compact PET  
AF - Compact CNG  
AM - Compact LPG



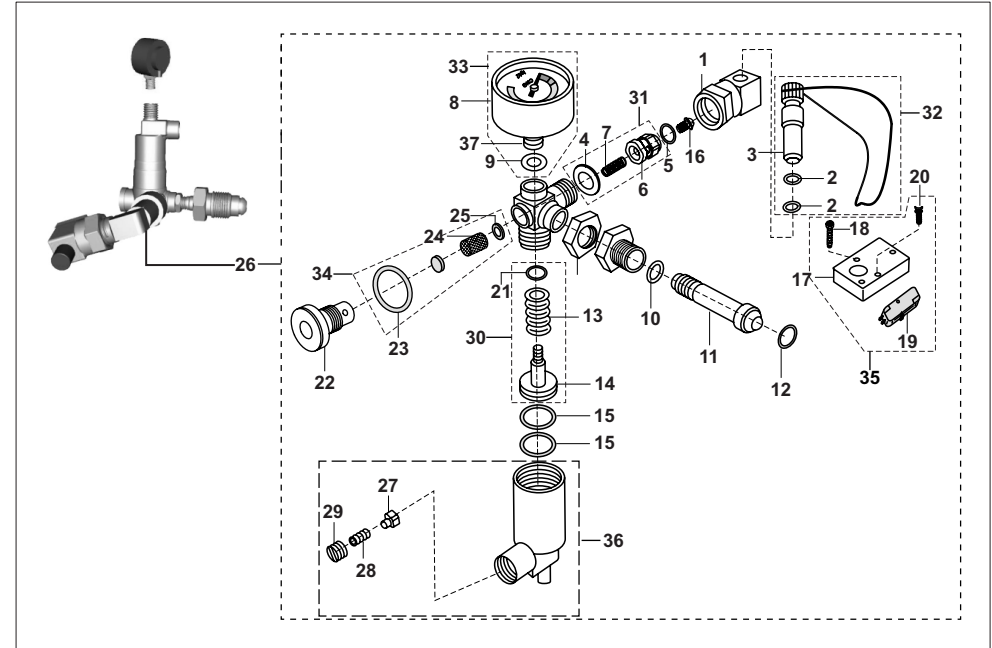
No.	Part No.	Description	COMPACT			COMPACT+		CARGO	Remarks
			AA	AF	AM	AZ	RA	AN	
1	24121432	Filler connector with bkt. Assy.	-	-	1	-	1	-	
2	24121245	Filler connector	-	-	1	-	1	-	
3	59010010	Screw csumk for filter	-	-	2	-	2	-	
4	AF121057	Nut	-	-	2	-	2	-	
5	AF121058	Washer	-	-	2	-	2	-	
6	AF121049	Washer - spring_m5_	-	-	2	-	2	-	
7	24121337	Connector for filler	-	-	1	-	1	-	
8	AF121085	Washer	-	-	1	-	1	-	
9	CX141046	'O' ring	-	-	1	-	1	-	
10	24121394	Cap	-	-	1	-	1	-	
11	24121393	Knob	-	-	1	-	1	-	
12	CX141044	Steel ball	-	-	1	-	1	-	
13	CX141045	Spacer	-	-	1	-	1	-	
14	24121407	BKT. Filling valve	-	-	2	-	2	-	
15	KADD0816	Bolt flanged	-	-	2	-	2	-	
16	36AF0040	Kit filler valve	-	-	1	-	1	-	Kit-35

AZ - Compact+ CNG  
RA - Compact+ LPG  
AN - Cargo CNG



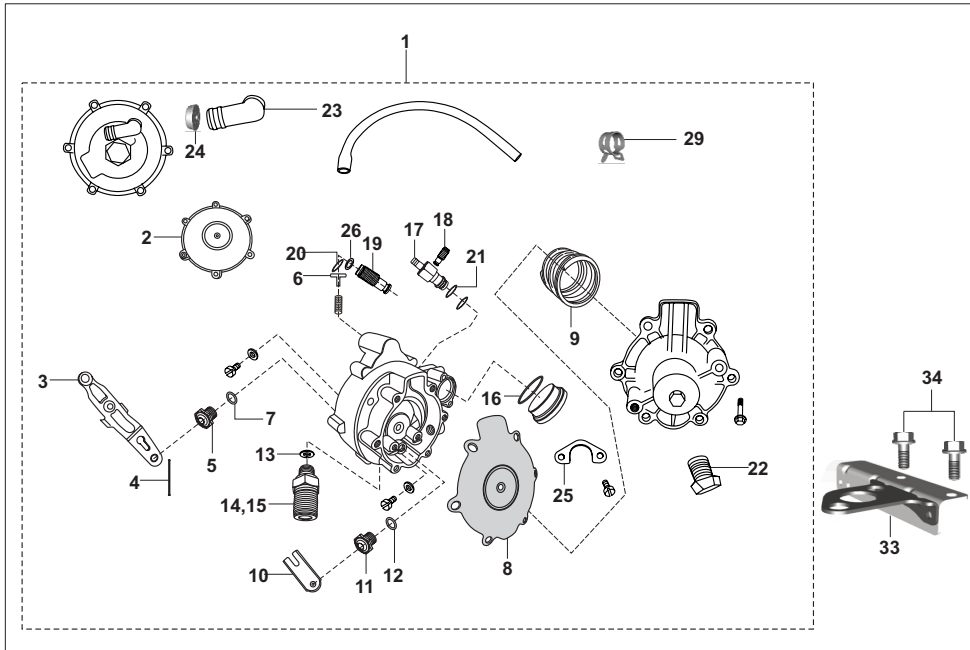
No.	Part No.	Description	COMPACT			COMPACT+		CARGO	Remarks
			AA	AF	AM	AZ	RA		
1	AF121004	Refuelling unit for 3w-4s-re-cng	-	1	-	1	-	1	
2	AF121023	Ring - o for 3w-4s-re-cng	-	2	-	2	-	2	
3	AF121018	Plug -dust	-	1	-	1	-	1	
4	AF121025	Washer-	-	1	-	1	-	1	
5	AF121026	Ring - o for re4s-cng	-	1	-	1	-	1	
6	AF121027	Seat for 3w-4s-re-cng	-	1	-	1	-	1	
7	AF121028	Spring for 3w-4s-re-cng	-	1	-	1	-	1	
8	24201333	Gauge pressure	-	1	-	1	-	1	
9	AF121029	Washer	-	1	-	1	-	1	
10	AF121030	Washer	-	1	-	1	-	1	
11	24121456	Connector ss for cng	-	1	-	-	-	-	
11	AF121001	Connector for re4s-cng	-	-	-	1	-	1	
12	AF121032	Ring - o for 3w-4s-re-cng	-	2	-	2	-	2	
13	AF121034	Spring for 3w-4s-re-cng	-	1	-	1	-	1	
14	AF121126	First stage piston sub-assy	-	1	-	1	-	1	
15	AZ172008	Ring - o for piston assly	-	-	-	2	-	2	
16	AF121043	Retainer for re4s-cng	-	1	-	1	-	1	
17	AF121044	Plate - mounting	-	1	-	1	-	1	
18	AF121045	Screw - philip	-	2	-	2	-	2	
19	AF201010	Switch - micro (vanaz)	-	1	-	1	-	1	

AA - Compact PET  
AF - Compact CNG  
AM - Compact LPG



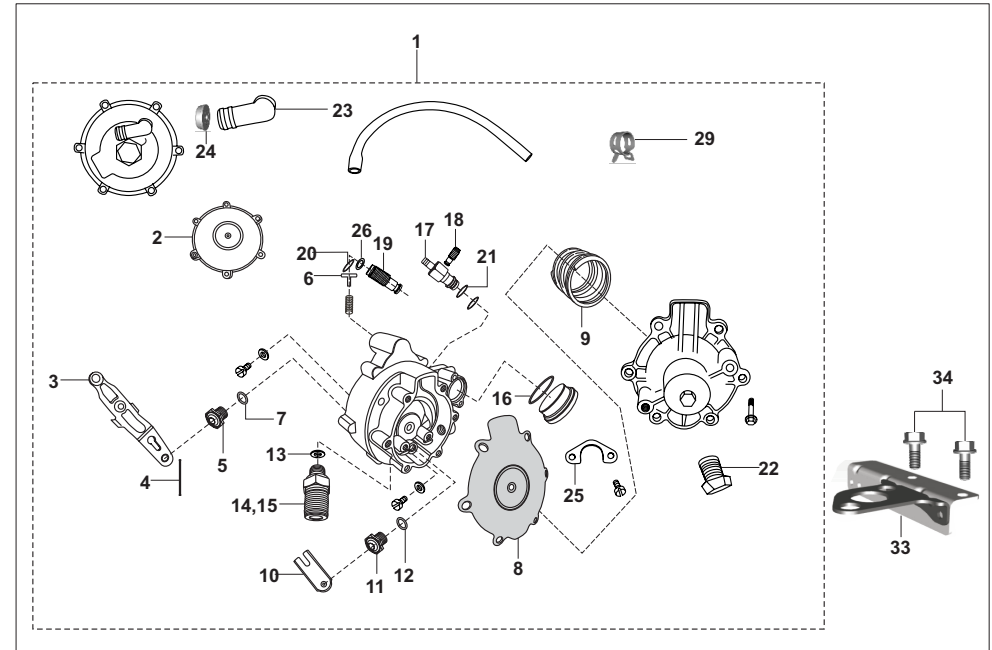
No.	Part No.	Description	COMPACT			COMPACT+		CARGO	Remarks
			AA	AF	AM	AZ	RA		
20	AF121046	Screw - philips l	-	2	-	2	-	2	
21	AF121104	Ring - o	-	1	-	1	-	1	
22	AF121105	Retainer	-	1	-	1	-	1	
23	AF121106	Ring - o	-	1	-	1	-	1	
24	AF121107	Filter for first stage reduction unit	-	1	-	1	-	1	
25	AF121108	Washer - 4.5 x 11	-	1	-	1	-	1	
26	24121413	Assly 1st stage red. Unit	-	1	-	-	-	-	
26	AZ172013	Assly 1st stage red. Unit	-	-	-	1	-	-	
26	AN141061	Assly 1st stage red. Unit	-	-	-	-	-	1	
27	AF121127	Pad hldr(srv)sub-asy:	-	1	-	1	-	1	
28	AF121039	Spring - relief valve	-	1	-	1	-	1	
29	AF121040	Screw - adjusting	-	1	-	1	-	1	
30	36AF0031	Kit piston sub assly & spring	-	1	-	1	-	1	Kit-26
31	36AF0032	Kit nrv sub assly & spring	-	1	-	1	-	1	Kit-27
32	36AF0033	Kit dust plug	-	1	-	1	-	1	Kit-28
33	36AF0034	Kit pressure gauge	-	1	-	1	-	1	Kit-29
34	36AF0035	Kit filter (sb)	-	1	-	1	-	1	Kit-30
35	36AF0036	Kit micro switch	-	1	-	1	-	1	Kit-31
36	36AF0043	Kit relif valve spring	-	1	-	1	-	1	Kit-38
37	AK121021	Connector for pipe	-	-	-	1	-	-	

AZ - Compact+ CNG  
RA - Compact+ LPG  
AN - Cargo CNG



No.	Part No.	Description	COMPACT			COMPACT+		CARGO	Remarks
			AA	AF	AM	AZ	RA	AN	
1	AF121521	Regulator two stage	-	1	-	-	-	-	
1	AF121541	Regulator two stage cng 4s	-	1	-	-	-	-	
1	AM121171	Regulator two stage 02.02.2014	-	-	1	-	-	-	
1	AZ172063	Regulator cng two stage	-	-	-	1	-	-	
1	RA172044	Regulator lpg two stage	-	-	-	-	1	-	
1	RC172003	Regulator cng two stage	-	-	-	-	-	1	
2	JS172015	Diaphragm-Sub assly.	-	1	1	1	1	1	
3	JS172036	Lever	-	1	1	1	1	1	
4	24121299	Pin lever	-	2	2	2	2	2	
5	AF121428	Seat for lpr	-	1	1	-	-	-	
6	JS172035	Guide spring	-	1	1	1	1	-	
7	24121306	Rubber washer	-	1	1	-	1	1	
8	JS172023	Diaphragm	-	1	1	1	1	1	
9	JS172027	Spring	-	-	1	-	1	-	
9	24121504	Spring	-	1	-	1	-	1	
10	24121312	Lever sub assy. (1st stage)	-	1	1	1	1	1	
11	24121313	Seat 1st stage	-	1	1	1	1	1	
12	24121314	Rubber washer 1st satge	-	1	1	1	1	1	
13	24121315	Washer copper	-	1	1	1	1	1	
14	24121505	Connector inlet	-	1	-	-	-	1	
14	JS172028	Connector inlet	-	-	1	-	1	-	
15	AZ172008	Connector inlet	-	-	-	1	-	-	

AA - Compact PET  
AF - Compact CNG  
AM - Compact LPG



No.	Part No.	Description	COMPACT			COMPACT+		CARGO	Remarks
			AA	AF	AM	AZ	RA	AN	
16	24121321	O_ring for flow	-	1	1	1	1	1	
17	24121507	Body -Flow control	-	1	1	-	1	-	
18	24121506	Screw flow adjusting	-	1	1	-	1	-	
19	JS172020	Screw idle	-	1	1	1	1	1	
20	59210017	O_ring	-	1	1	1	1	1	
21	AF121106	Ring - o	-	1	1	1	1	1	
22	JS172026	Breather -I	-	1	1	1	1	1	
23	AM121091	Breather -il	-	-	1	-	1	-	
23	JS172031	Breather - II	-	1	-	1	-	1	
24	24121648	Breather restricter	-	-	1	-	-	-	
24	RA172019	Breather restricter	-	-	-	-	1	-	
24	RA172045	Breather restricter	-	-	-	-	1	-	
25	JS172033	Clamp	-	1	1	1	1	1	
26	AF121104	Ring - o	-	1	1	1	1	1	
27	JS172019	Flange screw	-	12	12	12	12	12	
28	AF121070	Screw - cheese head	-	4	4	4	4	4	
29	DG121002	Clamp (hose c'case breather)	-	1	1	-	-	1	
30	36AF0039	Kit "o" ring	-	1	1	1	1	-	
31	36AF0037	Kit primary lpr	-	1	1	1	1	-	
32	36AF0038	Kit secondary lpr	-	1	1	1	1	-	
33	RC172000	Bracket regulator & solenoid	-	-	-	-	-	1	
34	KADF0820	Bolt flanged	-	-	-	-	-	2	

AZ - Compact+ CNG  
RA - Compact+ LPG  
AN - Cargo CNG



**KIT LIST**



Sr. No.	Kit Part No.	Kit Description	Consisting of Following Parts		
			Part No.	Description	Qty./Kit
1.	24151108	Wheel cylinder front minor kit	24151106	Protection boot	2
			24151105	Rebound spring	1
			24151104	Piston lip seal front	2
2.	24151114	Wheel cylinder rear minor	24151106	Protection boot	2
			24151105	Rebound spring	1
			24151116	Piston lip seal rr	2
3.	24151113	Rear major kit	AB151052	Bleeder screw cap	1
			AB151079	Bleeder screw	1
			24151106	Protection boot	2
			24151105	Rebound spring	1
			24151116	Piston lip seal (rr)	2
			24151166	Slotted piston (rr)	2
4.	24151107	Front major kit	AB151052	Bleeder screw cap	1
			AB151079	Bleeder screw	1
			24151106	Protection boot	2
			24151105	Rebound spring	1
			24151104	Piston lip seal (FR)	2
			24151165	Slotted piston (FR)	2
5.	36AA4025	KIT Friction plate kit (a	AA101478	Plate - friction	6
			JZ551417	Plate friction reduced ht	1
6.	36AA4033	Kit_valve kit 4s fl	AN101418	Valve intake	1
			AN101431	Valve exhaust	1
			39201719	Seal - oil	2
			DG101029	Collet	4
7.	36AA4036	Kit gasket_4s engine	AA101013	Gasket - block	1
			AA101077	Gasket - clutch cover	1
			AA101084	Gasket - sector flange	1
			AA101162	Gasket - head	1
			AA121010	Gasket (oil filter cover)	1
			AA131049	Gasket -differential cove	1
8.	36AA4070	Kit 3w driver seat enclos	52AA0482	Assly driver seat enclosu	1
			52AA0499	Set of hardware for drive	1
			24231806	Bracket enclosure side mt	2
9.	36AB4003	Kit Low St.Cone Co,Op,D&M	BH151008	Cover dust top fl	1
			AA181022	Bearing race lower	1
			AB181033	Race -bearing:lower-outer	1
			AB181012	Ball - steel with cage -	1
			BH151007	Cover dust lower fl	1
			36001052	Grease lethon rr3 -10gm	1
			BH151009	Spacer fork front fl	1

**KIT LIST**



Sr. No.	Kit Part No.	Kit Description	Consisting of Following Parts		
			Part No.	Description	Qty./Kit
10.	36AL0022	Kit Upper St. Cone GC,Meg	24181047	Nut lock ring	2
			AB181020	Washer - spacer :- top be	1
			AL181009	Balls with cage - upper	1
			24181046	Race upper bearing	1
			24161443	Cover dust top	1
			36001052	Grease lethon rr3 -10gm	1
			AB181019	Bearing race - upper :- o	1
11.	36AN0010	Cyl piston-lpg,pet 4S assly	AN101357	Assy piston re 205 fl gas	1
			AN101133	Cylinder block complete	1
12.	36AN0028	Kit barshaft AN101419-MA	AN101419	Bar shaft	1
			BH551410	Circlip	2
			BH551415	Boot clamp large	2
			BH551417	Boot clamp small	2
			BB133110	Boot cv shaft	2
13.	36AZ0023	Kit_barshaft BF551803 RE	BF551803	Bar shaft lh/rh	1
			BH551410	Circlip	2
			BH551415	Boot clamp large	2
			BH551417	Boot clamp small	2
			BB133110	Boot cv shaft	2
14.	36BH0006	Kit boot- all	BH551416	Boot	1
			BH551415	Boot clamp large	1
			BH551417	Boot clamp small	1
			BH551423	Grease	1
15.	36BH0007	Kit boot & retainer- al	BH551416	Boot	1
			BH551415	Boot clamp large	1
			BH551417	Boot clamp small	1
			BH551423	Grease	1
			BH551413	Retainer sheet	1
			BH551414	Boot insert	1
16.	36BH0019	Kit roller	BH551412	Finished roller	3
17.	36BH0030	Kit-kit ibj-double chamf	BH141226	IBJ tulip (double chamfer)	1
			BH551415	Boot clamp large	1
			BH551417	Boot clamp small	1
			BH551423	Grease	1
18.	36BH0031	Kit_ibj & tripod double C	BH141226	IBJ tulip (double chamfer)	1
			BH551415	Boot clamp large	1
			BH551417	Boot clamp small	1
			BH551423	Grease	1
			BH551412	Finished roller	3
			BH551411	Tripod finished	1
			BH551410	Circlip	1

**KIT LIST**



Sr. No.	Kit Part No.	Kit Description	Consisting of Following Parts					
			Part No.	Description	Qty./Kit			
19.	36BH0036	Kit_boot with new boot	BB133110	Boot cv shaft	1			
			BH551415	Boot clamp large	1			
			BH551417	Boot clamp small	1			
			BH551423	Grease	1			
20.	36BH0037	Kit_boot & retainer with	BB133110	Boot cv shaft	1			
			BH551415	Boot clamp large	1			
			BH551417	Boot clamp small	1			
			BH551423	Grease	1			
			BH551413	Retainer sheet	1			
			BH551414	Boot insert	1			
			AL181005	Cover - dust :- top	1			
21.	36AL0005	Kit Lower St. Cone GC, Me	AL181006	Cover - dust :- bottom	1			
			AL181007	Balls with cage	1			
			AL181004	Bearing race - lower :- I	1			
			AL181003	Bearing race - lower :- O	1			
			36001052	Grease lethon RR3 -10GM	1			
			BB181010	Spacer fork front RE445L	1			
			22.	36244024	KIT LOCK FOR DOOR WITH KE	24230197	Lock for door	1
						24181020	Key set - 1000 combinatio	1
23.	36JZ0016	Idling adjuster kit	JZ581217	Adjuster	1			
			CB121044	Spring	1			
			DH121120	O Ring	1			
24.	36AF0029	kit_coil assly	AF121322	Ring -o for filter solenoid valve	1			
			AF121323	Bolt for filter solenoid valve	1			
			AF121325	Ring -o for filter solenoid valve	1			
			AF121326	Plunger asy:filter solenoid valve	1			
			AF121327	Nut - lock:-filter solenoid valve	1			
			AF201070	Coil asy(solenoind-gas with paper filter)	1			
25.	36AF0030	Kit_paper filter	AF121317	Ring -o for filter solenoid valve	1			
			AF121319	Filter - paper for solenoid valve	1			
			AF121320	Ring -o for filter solenoid valve	1			
26.	36AF0031	Kit_piston sub assly & spring	AF121034	Spring	1			
			AF121126	First stage piston sub-assembly	1			
			AF121036	Ring - o	2			
			AF121104	Ring - o	1			
27.	36AF0032	Kit_nrv sub assly & spring	AF121025	Washer	2			
			AF121027	Seat	1			
			AF121028	Spring	1			
28.	36AF0033	Kit_dust plug	AF121023	Ring - o	2			
			AF121024	String	1			
			AF121018	Plug -dust:micro switch	1			

**KIT LIST**



Sr. No.	Kit Part No.	Kit Description	Consisting of Following Parts		
			Part No.	Description	Qty./Kit
29.	36AF0034	Kit_pressure gauge	24201333	Gauge pressure	1
			AF121029	Washer	1
30.	36AF0035	Kit_filter (sb)	AF121106	Ring - o	1
			AF121107	Filter for first stage reduction unit	1
			AF121108	Washer	1
			AF121084	Pad	1
31.	36AF0036	Kit_micro switch	AF121044	plate	1
			AF121045	screw	1
			AF201010	switch	1
			AF121046	screw	2
			24121299	Pin lever	2
32.	36AF0037	Kit_primary lpr	JS172023	Diaphragm	1
			24121312	Lever sub assy. (1st stage)	1
			JS172015	Diaphragm-sub assly.	1
33.	36AF0038	Kit_secondary lpr	JS172036	Lever	1
			JS172035	Guide spring	1
			24121304	Spring	1
			24121321	O_ring for flow control	1
34.	36AF0039	Kit_"O" ring	59210017	O_ring	1
			AF121106	Ring - o	1
			AF121104	Ring - o	1
			AM121089	Ring -o	2
			24121337	Connector	1
35.	36AF0040	Kit_filler valve	AF121085	Washer	1
			CX141046	O'ring	1
			36244005	Kit spindle with pad for mfv	1
36.	36AF0041	Kit_mfv manual service valve	AF121069	Washer	1
			24121266	Retainer mfv	1
			59210013	O_ring mfv	2
			24121267	Knob mfv	1
			59170007	Circlip external mfv	1
37.	36AF0042	Kit_mfv 80% assembly.	AU172041	Magnet -level indicator	1
			AU172042	Lever 80% fill limiter	1
			AU172043	Float rod guide	1
38.	36AF0043	Kit_relif valve spring kit	AF121127	Pad hldr(srv)	1
			AF121039	Spring	1
			AF121040	Screw	1
			24121416	Elbow	1
39.	36BH0036	Kit Boot (all)	BB133110	Boot (K tek)	1
			BH551415	Boot Clamp Large	1
			BH551417	Boot Clamp Small	1
			BH551423	Grease	1

**KIT LIST**



Sr. No.	Kit Part No.	Kit Description	Consisting of Following Parts		
			Part No.	Description	Qty./Kit
40.	36BH0008	Kit obj	BH551408	Obj tulip	1
			BH551415	Boot clamp large	1
			BH551417	Boot clamp small	1
			BH551423	Grease	1
41.	36BH0030	Kit ibj-all	BH551426	Ibj tulip	1
			BH551415	Boot clamp large	1
			BH551417	Boot clamp small	1
			BH551423	Grease	1
42.	36AL0029	WH. Cylinder Minor Kit Cargo	-----	Protection Boot	2
			24151105	Rebonding Spring	1
			24151104	Piston Lip Seal	2
43.	36AL0030	Wh. Cylinder Major Kit Cargo	Ab 151052	Bleeder Screw Cap	1
			Ab 151079	Bleeder Screw	1
			-----	Protection Boot	2
			24151104	Piston Lip Seal	2
			24151105	Rebonding Spring	1
			24151165	Slotted Pistion Rear	2
			-----	Thread Protection Cap	1
44.	36AL0031	Br Shoe Trail. Assly W/o Hbl Kit	-----	Wh. Cylinder M/c Aluminium	1
			Ab 151052	Bleeder Screw Cap	1
			Ab 151079	Bleeder Screw	1
			-----	Protection Boot	2
			24151104	Piston Lip Seal	2
			24151105	Rebonding Spring	1
			24151165	Slotted Pistion Rear	2
			-----	Thread Protection Cap	1
			-----	Thread Protection Cap	1
45.	36AL0032	Br Shoe Leading Kit	AL151201	Spring Shoe Clamping	2
			AL151202	Pivot Pin Shoe	2
			AL151240	Shoe Assly Trail (ask)cargo	1
46.	36AL0033	Back Plate Assly Fr Finished	AL151239	Back Plate Assly Front Cargo	1
47.	36AL0034	Flange Kit Fr Re-cargo	AL151247	Flange Back Plate Cargo	1
			39042304	Hex. Bolt M10x1.25px16	4
			AL171053	Lock Plate	2
48.	36AL0035	Benjo Bolt Kit	AL151049	Banjo Bolt	1
			21150422	Copper Washer	2
49.	36BB0035	Protection Plug Kit	BF131904	Protection plug 8 mm	2
			AL151204	Protection plug 12 mm	1
50.	36AL0039	Brk. Shoe Trail With Hbl Lh Kit	AL151201	Spring Shoe Clamping	2
			AL151202	Pivot Pin Shoe	2
			-----	Brk Shoe Assly Trail With Hbl Rh	1
			-----	Back Plate Assly Re Rh Cargo	1
51.	36AL0040	Back Plate Assly Lh Finished	-----	Back Plate Assly Re Rh Cargo	1
			-----		
			-----		

**KIT LIST**



Sr. No.	Kit Part No.	Kit Description	Consisting of Following Parts		
			Part No.	Description	Qty./Kit
52.	36AL0037	Brk. Shoe Trail With Hbl Rh Kit	AL151201	Spring Shoe Clamping	2
			AL151202	Pivot Pin Shoe	2
			-----	Brk. Shoe Assly Trail With Hbl Lh	1
53.	36AL0038	Back Plate Assly Lh Finished	-----	Back Plate Assly Re Lh Cargo	1
54.	36BA4014	Wheel Cylinder Mounting Kit	AL151054	W/cyl Mounting Screw	2
			BF131905	Spring Washer	2
55.	36AZ0015	Kit_jet -AZ581214	24121723	Needle jet	1
			JZ581214	Jet pilot vm22 disco-h	1
			24121367	Jet main	1
			AF121452	Jet holder	1
56.	36244049	Kit o ring & gasket kit carb-24121676	AF581232	O ring	1
			CF121004	Ring - O (Sa810)	1
			DH121130	Carburettor o ring(ps)	2
			JA581238	O-ring(tps)	1
			DH121118	'O' ring	1
			DH121088	Ring - o	1
			-----		
57.	36AA4032	Kit_connecting rod 4S FL	DK101067	ROD CONNECTING	1
			DK101453	Crank pin	1
			39215320	Bearing - needle roller :- 3 X 38 X 18	1
58.	36244047	Kit float body kit carb-24121676	24121720	Float body assembly	1
			DH121118	'O' Ring	1
			JA581232	O-Ring(fcb)	1
			CB121039	Screw with spring washer	4
			JA581314	Drain screw	1
59.	36BH0010	Kit obj & tripod max	BH551408	Obj tulip	1
			BH551415	Boot clamp large	1
			BH551417	Boot clamp small	1
			BH551423	Grease	1
			BH551412	Finished roller	3
			BH551411	Tripod finished	1
			BH551410	Circlip	1
60.	36BH0030	Kit-kit ibj-double chamfer	BH551426	Ibj tulip	1
			BH551415	Boot clamp large	1
61.	36BH0031	Kit_ibj & tripod double chamfer	BH551426	Ibj tulip	1
			BH551415	Boot clamp large	1
			BH551417	Boot clamp small	1
			BH551423	Grease	1
			BH551412	Finished roller	3
			BH551411	Tripod finished	1
-----					
-----					
-----					

**KIT LIST**



Sr. No.	Kit Part No.	Kit Description	Consisting of Following Parts		
			Part No.	Description	Qty./Kit
62.	36AZ0018	Kit_barshaft BF551803	BF551803	Bar shaft LH/RH	1
			BH551410	Circlip	2
			BH551415	Boot clamp large	2
			BH551417	Boot clamp small	2
			BH551416	Boot	2
63.	36AL0016	Kit lock - stero lid with	AL161172	Lock - stero lid	1
			24181020	Key set - 1000 combinatio	1
64.	36AA4037	Kit_oil seal 4s engine	39104619	Seal - oil	1
			39171519	Seal - oil	1
			39171619	Seal - oil	1
			39174419	Seal - oil	1
			39187019	Seal - oil :- 33 X 50 X 6	2
			39191719	Seal - oil	1
			39186919	Seal - oil :- 15 X 24 X 5	1
65.	36AF0044	Cyl piston-cng 4s assly	AN101133	Cylinder block complete	1
			AF101054	Assembly piston - 10.5 cr	1
66.	36AN0016	Ring set piston	BF521007	Ring top	1
			BF521008	Ring bottom	1
			BF521009	Ring assly oil	1
67.	36AA4102	VALVE KIT 4S RL	AA102088	Valve intake	1
			AA102089	Valve exhaust	1
			39103519	Seal - oil	2
			31101019	Collet	4
68.	36AA4071	Jet kit - compact pet 4s rl-AA121257	AA121271	Needle jet	1
			JE581205	Pilot jet	1
			AA121273	Main jet	1
			AA121274	Jet holder	1
69.	36AF0047	Jet kit-compact cng 4s rl-AF121527	AA121293	Needle jet	1
			JE581205	Pilot jet	1
			AF121356	Main jet	1
			AA121274	Jet holder	1
70.	36AM0004	Jet kit-compact lpg 4s rl-AM121178	AA121293	Needle jet	1
			JE581205	Pilot jet	1
			AG121087	Main jet	1
			AA121274	Jet holder	1
71.	36AZ0024	Jet kit-compact + cng 4s rl- AZ581219	AN121224	Needle jet	1
			AN121225	Pilot jet	1
			AA121294	Main jet	1
			AF121452	Jet holder	1

**KIT LIST**



Sr. No.	Kit Part No.	Kit Description	Consisting of Following Parts		
			Part No.	Description	Qty./Kit
72.	36AZ0025	Jet kit-compact + lpg 4s rl- RA581207	AN121224	Needle jet	1
			AN121225	Pilot jet	1
			AA121295	Main jet	1
			AF121452	Jet holder	1
73.	36AN0030	Jet kit-cargo cng 4s rl-AN121217	AN121224	Needle jet	1
			AN121225	Pilot jet	1
			29121117	Main jet	1
			AF121452	Jet holder	1
74.	36AA4073	Piston valve assy kit RL-AA121257	DD121054	E-ring	1
			JZ581223	Packing	1
			DD121055	Spring	1
			AF121517	Jet needle	1
			24121370	Ring	1
			AA121284	Holder	1
			AA121272	Piston valve	1
75.	36AF0048	Piston valve assy kit rl AF121527	DD121054	E-ring	1
			JZ581223	Packing	1
			DD121055	Spring	1
			AF121543	Jet needle	1
			24121370	Ring	1
			AA121284	Holder	1
76.	36AM0005	Piston valve assy kit rl-AM121178	DD121054	E-ring	1
			JZ581223	Packing	1
			DD121055	Spring	1
			AM121188	Jet needle	1
			24121370	Ring	1
			AA121284	Holder	1
77.	36AN0031	Pistn valve assy kit-C+4S, Max CNG rl	DD121054	E-ring	1
			JZ581223	Packing	1
			DD121055	Spring	1
			AN121233	Jet needle	1
			24121370	Ring	1
			AA121284	Holder	1
			AA121272	Piston valve	1

**KIT LIST**



Sr. No.	Kit Part No.	Kit Description	Consisting of Following Parts		
			Part No.	Description	Qty./Kit
78.	36AA4074	Float body assy kit- 4S RL	AF121445	Float body assy	1
			DH121118	O-ring	1
			JA581232	O-ring (fcb)	1
			-----	Screw (fcb)	4
			JA581314	Drian screw	1
79.	36AA4075	O-RING AND GASKET KIT-4S RL	AF121455	O-ring flange	1
			DH121130	O-ring pilot screw	2
			DH121088	O-ring pilot screw	1
			CF121004	O-ring guide holder	1
			JA581232	O-ring fcb	1
			DH121118	O-ring drian	1
			80.	36AA41000	Starter cable guide assy kit-4S RL
AF121457	Clip	1			
AF121456	Cap	1			
24121053	Plunger assy	1			
29121093	O-ring	1			
24121087	Spring	1			
AF121453	Guide holder	1			
JA581261	Adjuster	1			
JA581315	Nut	1			
80.	24151097	Major Kit			
			24 15 1091	O-Ring	1
			24 15 1089	Piston lock screw	1
			AB 15 1070	Protection boot	1
			39 23 6017	Internal circlip	1
			24 15 1086	Spring locking screw	1
			24 15 1085	Spring guide socket	1
			24 15 1081	Primary return spring	1
			24 15 1082	Primary spring locator	1
			24 15 1084	Primary piston	1
			24 15 1078	Secondary return spring	1
			24 15 1077	Secondary spring locat	1
			24 15 1080	Secondary lip seal	2
			24 15 1083	Plate valv	2
			24 15 1076	Primary lip seal	2
			24 15 1075	Secondary piston	1
			81.	24151098	Minor Kit
AB 15 1070	Protection boot	1			
39 23 6017	Internal circlip	1			
24 15 1080	Secondary lip seal	2			
24 15 1083	Plate valve	2			
24 15 1076	Primary lip seal	2			

**KIT LIST**



Sr. No.	Kit Part No.	Kit Description	Consisting of Following Parts		
			Part No.	Description	Qty./Kit
82.	24151177	Lever parking brake LH	24151147	Pin split - HBL	1
			24151146	Pin pivot-park lever	1
			24151148	Washer- plain park lever	1
			BH131813	Lever parking brake LH	1
			24151183	Lever parking brake RH	1
84.	36244041	Kit Upper St.Cone FL&nonF	24181047	Nut lock ring	2
			AB181020	Washer - spacer :- top be	1
			AB181017	Ball - steel with nylon C	1
			24181046	Race upper bearing	1
			24161443	Cover dust top	1
			36001052	Grease lethon RR3 -10GM	1
			AB181019	Bearing race - upper :- O	1
85.	36AA4072	Pilot screw kit- 4S	AF121523	Adjuster	1
			DH121086	Spring	1
			DH121087	Washer	1
			DH121088	O-ring	1
			DH121130	O-ring	2
86.	BB151064	Shoe clamp spring kit	AL151201	Spring shoe clamping	2
			AL151202	Pin pivot shoe	2
87.	36244062	Mixing cap assy kit	JA581223	Mixing cap assy	1
			24121719	Cable adjuster	1
			JA581315	Nut	1
			24121363	Cap	1
88.	36AA4047	Pilot screw kit	DH121088	O-ring	1
			DH121130	O-ring	1
			DH121086	Spring	1
			AA121215	Adjuster (PS)	1
			DH121087	Washer	1
89.	36AF0045	Pilot screw kit AZ581217	DH121088	O-ring	1
			Dh121130	O-ring	2
			DH121086	Spring	1
			AA121223	Adjuster (PS)	-
			DH121087	Washer	1
			90.	JA581223	Mixing cap assly
			24121719	Cable adjuster	2
			JA581315	Nut	2
			24121363	Cap	1





## PART INDEX

RE 4S - BS4 

Part No.	Page No.	Figure No.	Part No.	Page No.	Figure No.
1100342	47	18	22101423	23	18
1100342	51	3	22131014	17	5
1100711	16	7	22131014	18	5
1100712	16	7	22131018	17	4
1100713	16	7	22150507	70	25
1100714	16	7	22151106	51	6
1160509	40	28	22151106	52	11
1160717	91	8	22161221	86	9
1180123	15	8	22161221	104	6
1190205	74	26	22170115	55	6
3100335	3	14	22170118	55	7
3100718	55	21	22170118	55	8
3170109	21	5	22170434	51	10
3180116	23	15	22171007	47	20
3190204	40	27	22171007	52	6
3190204	74	27	22181058	64	16
3190206	74	25	23161305	21	11
6191089	73	9	23161305	23	17
6191089	73	15	24101069	7	7
6221028	94	29	24101414	23	4
15101171	16	5	24101419	23	7a
18201044	103	12	24101421	23	10
18201044	104	4	24101422	23	9
20201029	104	3	24101572	24	25
21100711	16	6	24101720	23	8
21101427	23	16	24102002	45	1
21101429	23	13	24102003	45	6
21150306	51	7	24102023	34	17
21150307	51	9	24121069	31	2
21150422	66	2	24121245	110	2
21160417	27	10	24121249	115	12
21170419	3	13	24121250	115	15
21180307	64	17	24121268	115	17
21180308	64	18	24121283	115	5
22101115	23	2	24121299	113	4

AA - Compact PET  
 AF - Compact CNG  
 AM - Compact LPG

## PART INDEX

RE 4S - BS4 

Part No.	Page No.	Figure No.	Part No.	Page No.	Figure No.
24121306	113	7	24121656	41	6a
24121312	113	10	24121656	109	1
24121313	113	11	24121698	39	7
24121314	113	12	24121749	34	25
24121315	113	13	24130105	2	8
24121321	114	16	24130111	17	3
24121333	44	9	24130113	17	7
24121337	110	7	24130209	21	8
24121354	108	28	24131003	21	7
24121365	31	1	24131007	21	3
24121393	110	11	24131008	21	4
24121394	110	10	24131009	17	8
24121407	110	14	24131032	17	6
24121413	112	26	24141091	107	6
24121418	107	15	24141132	39	10
24121418	115	11	24141133	39	13
24121432	110	1	24141134	39	16
24121434	107	16	24141135	39	17
24121456	111	11	24141150	42	5
24121476	6	21	24141164	39	15
24121476	34	23	24141183	40	23
24121476	44	10	24141184	39	8
24121477	34	24	24141184	40	26
24121498	107	11	24141187	40	37
24121500	107	12	24141188	40	38
24121504	113	9	24141190	40	36
24121505	113	14	24141191	40	39
24121506	114	18	24141194	41	11
24121507	114	17	24141194	43	2
24121508	32	14	24141196	39	14
24121646	34	19	24141197	39	6
24121648	114	24	24141210	40	26
24121652	39	20	24151061	69	20
24121652	41	5	24151067	76	14
24121652	43	12	24151068	69	18

AZ - Compact+ CNG  
 RA - Compact+ LPG  
 AN - Cargo CNG

## PART INDEX

RE 4S - BS4 

Part No.	Page No.	Figure No.	Part No.	Page No.	Figure No.
24151087	67	2	24151245	59	7
24151090	67	4	24151247	74	22
24151092	67	7	24151266	55	10
24151093	67	8	24151268	59	8
24151094	67	3	24151274	73	1
24151097	67	9	24151275	67	1
24151098	67	10	24160924	27	9
24151107	60	26	24161003	27	8
24151108	60	27	24161176	65	6
24151113	60	28	24161297	36	13
24151114	60	29	24161297	41	2
24151146	59	10	24161368	81	7
24151147	59	9	24161371	81	8
24151148	59	11	24161373	81	11
24151163	60	25	24161423	108	25
24151164	60	25	24161443	63	11
24151168	59	16	24161446	77	7
24151170	60	20	24161492	81	11
24151171	60	32	24165116	86	1
24151172	59	17	24165132	86	11
24151173	59	19	24165169	78	13
24151174	59	5	24165214	86	3
24151175	59	15	24165230	77	13
24151177	60	22	24165273	92	29
24151178	59	6	24165274	92	28
24151179	59	14	24170431	35	13
24151181	60	21	24170505	47	10
24151182	59	18	24170507	47	13
24151183	60	23	24170507	48	9
24151221	66	1	24170507	49	6
24151232	68	2	24170508	47	9
24151234	66	5	24171014	45	2
24151238	69	19	24171024	47	17
24151239	56	17	24171024	51	4
24151243	59	1	24171055	47	11

AA - Compact PET  
AF - Compact CNG  
AM - Compact LPG

## PART INDEX

RE 4S - BS4 

Part No.	Page No.	Figure No.	Part No.	Page No.	Figure No.
24171066	45	13	24201485	103	13
24171075	51	5	24201486	103	14
24171094	47	8	24201487	103	9
24171117	55	20	24201488	103	10
24171118	51	1	24201499	104	14
24171129	55	17	24201500	80	5
24171138	55	18	24201501	80	6
24171179	47	1	24201502	103	19
24171180	47	2	24201503	103	20
24171197	47	14	24201504	103	21
24181046	63	10	24201515	105	15
24181047	63	12	24201523	103	17
24181067	74	28	24201525	85	17
24181074	73	8	24201564	72	4
24181153	77	2	24211026	97	5
24181161	64	30	24211026	100	24
24191098	73	14	24211028	97	1
24191099	73	12	24211029	99	2
24191101	73	16	24211035	97	10
24191105	73	7	24211035	100	22
24191136	39	11	24211037	98	18
24191137	39	12	24211037	99	17
24191182	75	1	24221033	92	23
24191184	73	10	24221047	97	8
24191185	73	11	24230176	91	5
24191187	73	13	24230185	65	5
24201333	111	8	24230185	91	9
24201415	105	10	24230198	82	19
24201416	105	10a	24230198	95	14
24201421	105	8	24230417	101	10
24201442	105	18	24231090	92	19
24201456	109	1	24231091	92	21
24201476	104	10	24231146	100	30
24201477	104	13	24231157	91	10
24201484	103	16	24231245	95	13

AZ - Compact+ CNG  
RA - Compact+ LPG  
AN - Cargo CNG

## PART INDEX

RE 4S - BS4 

Part No.	Page No.	Figure No.
24231336	77	4
24231421	97	13
24231475	90	40
24231499	91	16
24231522	85	20
24231523	85	21
24231615	85	5
24231616	85	6
24231620	101	12
24231625	85	11
24231630	91	17
24231630	102	3
24231641	85	7
24231641	88	34
24231699	85	19
24231705	92	35
24231713	91	4
24231726	77	3
24231748	101	1
24231750	101	7
24231761	101	9
24231762	101	10
24231772	101	11
24231775	101	11
24231775	102	5
24231806	98	19
24231806	99	18
24231837	101	10a
24231866	101	10
24231867	101	9
24231876	92	24
25231064	91	14
28101022	19	6
28101038	15	7
28101080	4	23

Part No.	Page No.	Figure No.
28101129	11	7
30101053	24	30
30101185	55	19
30101236	6	30
30151039	7	2
30151059	2	3
30211005	37	3
31101018	11	6
31101019	11	5
31101106	4	20
31101173	14	4
31121006	19	13
31121041	34	12
31121041	35	11
31191032	30	9
31191032	76	16
31201001	96	29
31201029	106	8
33141007	41	9
33141007	42	8
33141007	43	7
33141008	41	10
33141008	42	9
33141008	43	6
35101060	7	15
35161060	83	18
36244024	91	7
36244041	64	25
36244042	77	6
36244044	91	6
36244044	93	14
36244085	64	24
39006204	27	4
39007104	65	7
39007104	96	22

AA - Compact PET  
 AF - Compact CNG  
 AM - Compact LPG

## PART INDEX

RE 4S - BS4 

Part No.	Page No.	Figure No.
39008304	2	19
39008304	27	13
39008304	28	16
39011904	45	3
39014608	68	5
39014608	70	21
39014608	71	22
39014708	92	25
39015108	71	5
39015108	83	16
39015608	92	34
39019811	12	8
39019811	22	8
39019811	25	7
39019811	26	9
39019811	64	19
39019811	65	9
39019911	68	4
39019911	70	28
39019911	71	21
39020011	25	3
39020011	70	24
39020111	73	3
39021111	42	18
39021111	82	26
39021111	97	14
39021911	37	14
39023011	100	32
39024011	24	22
39024811	2	18
39024811	9	19
39024811	27	15
39024811	28	18
39025111	27	19
39025811	85	13

AZ - Compact+ CNG  
 RA - Compact+ LPG  
 AN - Cargo CNG

Part No.	Page No.	Figure No.
39025811	88	36
39025811	102	7
39025811	103	5
39026212	64	29
39026212	96	23
39026312	56	12
39026312	95	18
39026912	47	6
39026912	47	15
39028715	102	8
39029115	65	10
39029515	53	4
39029615	2	21
39029615	27	12
39029615	28	7
39029615	53	12
39029615	54	6
39029615	73	5
39029615	95	11
39030315	47	12
39031215	52	13
39032615	85	16
39034217	47	21
39034217	51	2
39042304	61	11
39042606	7	19
39042606	22	5
39045411	86	6
39046715	28	6
39050809	3	5
39054311	53	8
39055011	22	16
39064517	96	34
39066301	84	24
39069015	49	19

## PART INDEX

RE 4S - BS4 

Part No.	Page No.	Figure No.	Part No.	Page No.	Figure No.
39069015	70	30	39103519	11	3
39069415	70	22	39104119	5	3
39071411	28	4	39104619	7	21
39073001	19	3	39104619	22	4
39073212	12	7	39105411	53	9
39074011	39	5	39105411	54	4
39074601	4	24	39105515	4	21
39074801	19	4	39105515	9	18
39078708	95	5	39105515	68	8
39078912	53	11	39106504	6	23
39078912	54	5	39106504	12	6
39079815	27	3	39106901	65	3
39079815	28	10	39107404	12	10
39079815	43	14	39107504	2	12
39079815	97	15	39107901	28	8
39079908	23	11	39107901	56	13
39080411	22	11	39118011	29	6
39081411	36	8	39118011	36	12
39081411	95	17	39118215	45	14
39081715	65	4	39119704	22	7
39081715	72	6	39121111	65	12a
39085517	71	18	39121111	96	28
39092101	102	6	39121420	3	12
39093915	54	15	39122411	71	17
39094111	73	18	39128321	9	16
39095615	51	11	39130911	9	6
39096011	83	17	39130911	94	28
39097315	11	12	39137704	73	2
39098004	20	9	39138904	23	6
39100006	3	15	39138904	67	11
39100006	6	22	39141402	71	20
39100006	7	11	39143520	7	3
39101321	3	6	39152301	81	6
39101321	19	2	39153721	5	18
39101421	13	16	39153721	7	14

AA - Compact PET  
 AF - Compact CNG  
 AM - Compact LPG

## PART INDEX

RE 4S - BS4 

Part No.	Page No.	Figure No.	Part No.	Page No.	Figure No.
39153721	9	8	39182912	2	20
39155204	96	27	39182912	27	14
39155304	37	5	39182912	28	17
39155604	24	23	39182912	52	12
39155604	99	10	39182912	73	4
39155704	101	2	39183012	21	14
39156421	54	12	39183012	65	8
39157006	90	39	39186002	83	15
39158511	7	16	39186420	2	4
39158721	21	10	39186919	7	6
39158721	76	13	39188020	13	2
39163015	37	10	39188515	14	8
39165721	19	8	39190204	95	19
39167204	37	9	39190701	83	10
39167304	12	5	39190701	89	19
39167404	5	10	39190701	93	10
39167404	13	17	39191719	2	9
39167604	3	17	39192707	14	5
39168004	86	10	39193120	14	14
39168004	104	7	39193815	20	11
39170207	68	6	39194004	25	5
39170415	82	25	39194404	65	11
39171619	2	7	39194404	104	8
39171619	2	9	39195804	42	4
39172104	6	25	39196304	6	24
39173719	56	3	39197015	69	12
39177304	34	26	39197215	81	5
39179021	13	14	39197215	84	25
39179211	27	7	39197215	97	7
39179211	28	12	39197215	99	7
39182612	22	9	39197215	100	31
39182612	25	6	39200811	20	18
39182712	28	5	39203804	56	10
39182812	51	12	39215320	14	15
39182812	70	23	39217924	83	13

AZ - Compact+ CNG  
 RA - Compact+ LPG  
 AN - Cargo CNG

## PART INDEX

RE 4S - BS4 

Part No.	Page No.	Figure No.
39218106	8	8
39218106	9	17
39220804	74	29
39220804	105	16
39222204	70	32
39224020	56	4
39229515	29	12
39229515	71	10
39229515	95	6
39229515	97	6
39229515	100	25
39229515	105	14
39235717	55	16
39236220	55	4
39237423	78	15
39238315	101	3
39242411	65	12
39244311	5	8
39245401	82	34
39246417	56	7
39248415	87	19
39248415	96	24
39248415	99	8
39251604	54	3
39253404	60	35
39254220	13	4
39254717	6	29
39255020	55	3
39256120	2	5
39256611	48	4
39256611	49	8
39260715	47	16
39260715	48	11
39260715	49	9
39260801	9	20

Part No.	Page No.	Figure No.
39262921	9	15
39263101	74	24
39271115	70	31
39272711	95	4
52210040	91	13
52240645	85	1
52240760	91	11
52240764	51	8
52244040	65	1
59010005	81	3
59010005	86	8
59010007	81	4
59010010	110	3
59040029	21	13
59040038	9	5
59050002	2	2
59050002	3	11
59150003	55	11
59150012	27	6
59200012	47	19
59200012	52	5
59210012	115	14
59210013	115	3
59210017	114	20
36AA4015	109	12
36AA4018	25	18
36AA4025	20	4
36AA4028	82	32
36AA4032	14	12
36AA4036	1	8
36AA4041	1	7
36AA4046	31	4
36AA4098	31	6
36AA4099	31	9
36AA4100	31	10

AA - Compact PET  
 AF - Compact CNG  
 AM - Compact LPG

## PART INDEX

RE 4S - BS4 

Part No.	Page No.	Figure No.
36AA4105	8	1
36AA4106	11	15
36AA4110	31	4
36AA4111	31	11
36AA4112	31	5
36AB4003	64	26
36AF0029	109	5
36AF0030	109	6
36AF0031	112	30
36AF0032	112	31
36AF0033	112	32
36AF0034	112	33
36AF0035	112	34
36AF0036	112	35
36AF0037	114	31
36AF0038	114	32
36AF0039	114	30
36AF0040	110	16
36AF0041	115	16
36AF0042	115	4
36AF0043	112	36
36AF0049	31	4
36AF0050	31	5
36AL0005	64	28
36AL0016	82	24
36AL0022	64	27
36AL0029	61	19
36AL0030	61	18
36AL0033	61	4
36AL0038	61	5
36AL0040	61	6
36AL0050	61	15
36AL0051	61	16
36AL0052	61	17
36AL0054	90	25

AZ - Compact+ CNG  
 RA - Compact+ LPG  
 AN - Cargo CNG

Part No.	Page No.	Figure No.
36AL0055	90	24
36AM0006	31	4
36AM0007	31	5
36AN0016	8	4
36AN0028	46	12
36AN0030	31	4
36AN0031	31	5
36AN0032	8	1
36AN0033	8	4
36AZ0020	32	11
36AZ0023	46	12
36AZ0024	31	4
36AZ0025	31	4
36BA4014	60	33
36BA4035	45	16
36BA4036	45	17
36BA4043	45	15
36BB0033	72	8
36BB0059	49	1
36BB0060	49	1a
36BH0008	46	8
36BH0010	46	9
36BH0019	46	13
36BH0029	100	23
36BH0029	100	33
36BH0030	46	10
36BH0031	46	11
36BH0036	46	6
36BH0037	46	7
36BH0048	48	1
36BH0049	48	1a
36JZ0016	31	7
52AA0501	91	2
52AA0748	77	1
52AA0749	77	1a

## PART INDEX

RE 4S - BS4 

Part No.	Page No.	Figure No.
52AA0876	91	1
52AF0118	91	3
52AF0218	91	1
52AL0390	95	1
52AL0391	95	15
52AL0392	89	1
52AL0393	87	1
52AL0395	89	2
52AL0396	95	8
52AN0230	77	1c
52AZ0053	93	7
52AZ0112	77	1b
52AZ0150	93	1
52BA0283	91	3
52BB0075	65	1a
52BH0056	93	2
52BH0057	93	8
52BH0058	93	3
52BH0059	93	5
AA101009	20	15
AA101055	16	9
AA101058	17	11
AA101058	18	10
AA101061	15	9
AA101084	22	10
AA101108	15	5
AA101122	24	26
AA101123	3	2
AA101124	3	4
AA101138	14	6
AA101139	14	7
AA101143	3	8
AA101145	3	7
AA101194	27	11
AA101209	24	29

Part No.	Page No.	Figure No.
AA101212	7	17
AA101213	20	19
AA101215	24	28
AA101216	20	8
AA101220	26	3
AA101221	4	22
AA101249	3	3
AA101277	23	14
AA101286	24	27
AA101289	24	21
AA101295	15	2
AA101297	23	19
AA101329	23	5
AA101347	24	24
AA101424	14	3
AA101470	20	2
AA101471	20	3
AA101472	20	5
AA101473	20	7
AA101474	20	10
AA101592	20	14
AA101593	20	1
AA101667	5	17
AA101721	45	4a
AA101722	45	4
AA101735	2	1
AA101736	22	1
AA101742	21	9
AA101743	21	1
AA101745	21	2
AA101747	21	16
AA101750	21	6
AA101779	16	11
AA101780	16	2
AA101781	16	3

AA - Compact PET  
 AF - Compact CNG  
 AM - Compact LPG

## PART INDEX

RE 4S - BS4 

Part No.	Page No.	Figure No.
AA101782	16	4
AA101814	13	6
AA101816	27	2
AA101816	28	9
AA101819	22	6
AA101823	7	22
AA101826	6	34
AA101826	38	23
AA101838	9	10
AA101844	9	4
AA101857	9	1
AA101859	11	1
AA101860	11	2
AA101864	13	1
AA101865	8	3
AA101868	15	4
AA101869	12	11
AA101870	12	13
AA101871	12	14
AA101875	11	4
AA101883	6	26
AA101884	6	27
AA101885	12	12
AA101939	6	32
AA101949	14	1
AA101950	2	6
AA101953	29	3
AA101969	26	10
AA101970	12	4
AA102000	5	1
AA102018	7	18
AA102026	7	1
AA102031	2	16
AA102055	6	35
AA102075	12	2

AZ - Compact+ CNG  
 RA - Compact+ LPG  
 AN - Cargo CNG

Part No.	Page No.	Figure No.
AA102077	1	1
AA102079	11	17
AA102082	11	16
AA102087	8	5
AA102094	13	18
AA102110	29	16
AA102114	29	8
AA102124	29	17
AA102132	34	16
AA102151	44	11
AA102167	22	3
AA102171	29	4
AA102193	29	15
AA111049	25	8
AA111067	25	4
AA111080	25	17
AA111081	25	12
AA111082	25	13
AA111083	25	20
AA111085	25	16
AA111093	25	9
AA111094	25	14
AA111095	25	15
AA111117	25	11
AA111118	25	10
AA111120	106	15
AA111132	26	11
AA111134	26	12
AA111148	26	13
AA111151	26	1
AA111154	9	13
AA111196	106	11
AA111202	26	1
AA111203	26	2
AA121060	19	1

## PART INDEX

RE 4S - BS4 

Part No.	Page No.	Figure No.	Part No.	Page No.	Figure No.
AA121147	33	6	AA151052	76	10
AA121148	33	3	AA151053	75	9
AA121149	33	4	AA151056	69	1
AA121150	33	2	AA151057	69	16
AA121193	33	5	AA151058	69	3
AA121226	30	2	AA151059	69	17
AA121241	33	8	AA151060	69	11
AA121242	9	9	AA151061	69	13
AA121250	33	7a	AA161081	106	16
AA121265	32	14	AA161190	86	4
AA121280	30	1	AA161191	86	5
AA121282	44	7	AA161215	81	1
AA121285	34	13	AA161216	81	15
AA121290	44	6	AA161218	82	27
AA121291	44	8	AA161219	82	28
AA121304	44	14	AA161225	82	21
AA121305	33	1	AA161268	86	12
AA121307	34	13a	AA161269	86	13
AA131004	21	12	AA161270	86	14
AA131033	17	2	AA161283	106	14
AA141046	30	7	AA161290	82	31
AA141046	31	8	AA161305	81	1
AA141049	108	28	AA161306	81	15
AA141067	41	12	AA161307	81	9
AA141079	40	31	AA161308	81	10
AA141080	40	30	AA161309	81	7
AA141090	80	8	AA161310	81	8
AA141095	39	1	AA161327	82	27
AA141103	39	21	AA161307	81	9
AA141137	39	19	AA161308	81	10
AA141139	39	21	AA161309	81	7
AA141140	39	2	AA161310	81	8
AA151039	66	6	AA161327	82	27
AA151047	55	1	AA161328	82	28
AA151049	55	12	AA161337	27	1
			AA171006	47	3
			AA171011	47	5
			AA171022	47	4
			AA171024	47	4a
			AA171027	63	1

AA - Compact PET  
 AF - Compact CNG  
 AM - Compact LPG

## PART INDEX

RE 4S - BS4 

Part No.	Page No.	Figure No.	Part No.	Page No.	Figure No.
AA181022	63	3	AA201379	80	3
AA181023	63	2	AA201380	80	7
AA191032	73	6	AA201388	79	2
AA191091	75	2	AA201391	80	3
AA191092	75	6	AA201395	79	1
AA191093	75	4	AA201414	79	1
AA191094	75	3	AA201415	79	2
AA191102	76	11	AA210022	97	11
AA191113	71	1	AA210024	97	12
AA191114	71	9	AA210036	97	2
AA191115	75	7	AA210037	97	3
AA191117	71	2	AA210052	97	3
AA191119	71	12	AA221005	86	15
AA191120	71	11	AA221006	86	16
AA191121	71	7	AA221033	98	21
AA191122	71	8	AA231126	92	33
AA201090	104	5	AA231142	33	7
AA201185	106	2	AA231223	85	10
AA201199	104	1a	AA231239	85	3
AA201201	104	2a	AA231245	77	5
AA201239	105	13	AA231262	97	11
AA201258	82	33	AA231263	97	12
AA201262	103	7	AA231297	101	8
AA201263	85	8	AA231320	101	8
AA201264	103	4	AA231322	101	8
AA201278	81	12	AA231330	101	8
AA201305	105	20	AA251005	92	22
AA201320	71	14	AA251006	92	22
AA201325	6	33	AB101014	3	9
AA201332	71	16	AB101038	5	4
AA201341	82	35	AB101067	15	3
AA201344	75	5	AB111107	25	19
AA201345	39	3	AB151049	66	3
AA201361	80	4	AB151054	67	5
AA201362	82	16	AB151072	67	6

AZ - Compact+ CNG  
 RA - Compact+ LPG  
 AN - Cargo CNG

## PART INDEX

RE 4S - BS4 

Part No.	Page No.	Figure No.
AB151079	60	30
AB161182	65	2
AB171013	53	5
AB171014	53	6
AB171015	53	7
AB171016	53	3
AB171016	54	10
AB171017	53	2
AB171020	55	15
AB171022	55	13
AB171023	55	14
AB171031	53	10
AB171044	53	1
AB181012	63	4
AB181017	63	9
AB181019	63	8
AB181020	64	13
AB181022	64	15
AB181023	64	14
AB181033	63	5
AB201076	106	7
AB201077	105	6
AF101035	6	20
AF101035	34	21
AF101058	8	3
AF101087	5	1
AF101088	1	2
AF101097	29	3
AF111021	25	1
AF111023	25	9
AF111026	106	11
AF111031	26	15
AF111032	26	14
AF111033	26	16
AF111034	26	18

Part No.	Page No.	Figure No.
AF111035	26	17
AF121001	111	11
AF121004	111	1
AF121012	108	27
AF121018	111	3
AF121023	111	2
AF121025	111	4
AF121026	111	5
AF121027	111	6
AF121028	111	7
AF121029	111	9
AF121030	111	10
AF121032	111	12
AF121034	111	13
AF121039	112	28
AF121040	112	29
AF121043	111	16
AF121044	111	17
AF121045	111	18
AF121046	112	20
AF121049	110	6
AF121057	110	4
AF121058	110	5
AF121070	114	28
AF121085	110	8
AF121104	112	21
AF121104	114	26
AF121105	112	22
AF121106	112	23
AF121106	114	21
AF121107	112	24
AF121108	112	25
AF121126	111	14
AF121127	112	27
AF121133	30	6

AA - Compact PET  
 AF - Compact CNG  
 AM - Compact LPG

## PART INDEX

RE 4S - BS4 

Part No.	Page No.	Figure No.
AF121316	109	3
AF121323	109	4
AF121327	109	2
AF121428	113	5
AF121489	108	21
AF121505	33	1
AF121514	108	18
AF121521	113	1
AF121534	30	1
AF121541	113	1
AF141030	107	10
AF141059	107	2
AF141072	41	4
AF141074	41	1
AF141082	41	7
AF161024	78	17
AF161024	96	32
AF161040	78	18
AF161040	96	31
AF161059	107	7
AF161097	107	9
AF161098	107	4
AF161100	107	8
AF201001	106	13
AF201010	111	19
AF201036	106	10
AF201067	109	1
AF201094	105	9
AF201185	79	2
AF201193	80	4
AF201200	79	1
AF201201	79	2
AF201205	79	1
AF201206	79	2
AF201207	80	3

AZ - Compact+ CNG  
 RA - Compact+ LPG  
 AN - Cargo CNG

Part No.	Page No.	Figure No.
AF221005	91	15
AF221006	92	26
AF221007	91	15a
AF221011	109	13
AF221022	92	26
AF231183	97	11
AF231184	97	12
AF231213	101	8
AF231214	101	9
AF231215	101	8
AF231219	101	8
AK121021	112	37
AK201012	106	4
AL101053	96	25
AL103003	36	17
AL121062	33	2
AL121069	33	4
AL121070	33	5
AL131055	18	7
AL131058	18	6
AL151004	56	2
AL151005	56	5
AL151007	56	6
AL151008	56	8
AL151011	56	14
AL151012	56	11
AL151017	50	14
AL151019	50	15
AL151052	60	31
AL151054	60	24
AL151089	56	9
AL151113	70	27
AL151194	61	13
AL151205	62	22
AL151211	61	14

## PART INDEX

RE 4S - BS4 

Part No.	Page No.	Figure No.
AL151220	66	1
AL151222	76	9
AL151223	76	10
AL151231	62	21
AL151235	62	24
AL151236	61	1
AL151237	61	3
AL151238	61	2
AL151242	50	7
AL151242	56	1a
AL151243	56	16
AL151246	50	16
AL151249	50	1
AL151252	50	8
AL151254	50	11
AL151266	61	10
AL161152	104	19
AL161184	83	11
AL161185	83	14
AL161186	83	12
AL161226	95	20
AL161229	95	21
AL161236	86	7
AL161273	106	1
AL161377	95	16
AL161381	83	9
AL161382	83	2
AL161390	83	3
AL161392	77	3a
AL161502	81	10
AL161503	81	9
AL161509	93	9
AL161661	87	6
AL161662	90	32
AL161705	87	11

Part No.	Page No.	Figure No.
AL161706	87	12
AL161744	88	38
AL171017	49	18
AL171045	54	2
AL171051	54	14
AL171053	61	12
AL171058	54	16
AL171066	50	13
AL171081	54	11
AL171091	54	8
AL171093	54	7
AL171095	54	9
AL171104	54	13
AL171138	49	3
AL171139	54	1
AL171150	49	5
AL171153	48	15
AL171153	49	13
AL171158	49	2
AL181003	63	5
AL181004	63	3
AL181005	63	6
AL181006	63	2
AL181007	63	4
AL181009	63	9
AL191020	76	12
AL191028	83	6
AL201012	106	6
AL201031	105	7
AL201034	42	2
AL201039	105	11
AL201060	105	1
AL201062	105	3
AL201070	74	23
AL201100	82	23

AA - Compact PET  
AF - Compact CNG  
AM - Compact LPG

## PART INDEX

RE 4S - BS4 

Part No.	Page No.	Figure No.
AL201100	84	26
AL201119	103	1
AL201120	103	2
AL201127	77	10
AL211017	100	29
AL211019	100	27
AL221036	96	30
AL221040	96	30
AL241023	85	4
AL241189	90	44
AL241220	90	27
AL241221	90	26
AL241277	95	9
AL241278	95	10
AL241344	87	13
AL241395	90	37
AL241405	95	3
AL241442	89	3
AL241445	87	2
AL241446	87	3
AL241455	89	12
AL241456	89	14
AL241457	89	16
AL241465	89	15
AL241474	89	13
AL241475	90	36
AL241477	89	17
AL241478	89	18
AL241479	90	34
AL241480	90	35
AL241481	90	38
AL241482	89	11
AL241577	87	9
AL241578	87	7
AL241603	90	29

AZ - Compact+ CNG  
RA - Compact+ LPG  
AN - Cargo CNG

Part No.	Page No.	Figure No.
AL241606	90	31
AL241609	90	28
AL241614	90	30
AL241662	90	33
AL241679	87	10
AL241689	89	6
AL241690	89	5
AL241691	89	8
AL241692	89	7
AL241693	89	4
AL241695	89	10
AL241696	89	9
AL241697	87	8
AL241700	89	23
AL241701	89	22
AL241761	88	39
AL241767	95	7
AL241769	77	4a
AL241774	89	20
AL241775	89	21
AL241784	95	2
AL241785	87	20
AL241786	87	21
AL241787	87	22
AL241788	88	23
AL241789	88	24
AL241790	88	25
AL241791	88	26
AL241792	88	27
AL241796	88	32
AL241803	90	46
AL241804	90	45
AL241811	88	29
AL241817	88	28
AM101048	1	3

## PART INDEX

RE 4S - BS4 

Part No.	Page No.	Figure No.	Part No.	Page No.	Figure No.
AM101051	29	1	AN101166	13	10
AM101052	29	2	AN101175	19	15
AM110003	106	11	AN101175	37	20
AM121077	34	27	AN101177	9	3
AM121091	114	23	AN101181	9	14
AM121105	107	17	AN101182	13	8
AM121163	108	19	AN101186	5	19
AM121171	113	1	AN101188	19	12
AM121177	33	8	AN101189	5	13
AM121187	30	1	AN101190	19	9
AM141003	107	1	AN101197	15	1
AM141004	41	3	AN101198	15	10
AM161020	78	19	AN101200	15	11
AM191005	76	12	AN101201	16	8
AM201116	105	2	AN101202	26	6
AM201129	79	2	AN101203	12	3
AM201134	79	1	AN101232	19	11
AM201136	79	1	AN101238	2	15
AM201137	79	2	AN101250	13	12
AM201138	79	1	AN101257	13	11
AM201139	79	2	AN101307	37	12
AN101062	2	11	AN101308	37	11
AN101063	20	14	AN101312	7	12
AN101069	20	1	AN101323	13	3
AN101113	19	14	AN101328	16	8
AN101113	38	22	AN101334	37	6
AN101127	3	1	AN101336	17	1
AN101129	3	18	AN101337	17	12
AN101133	8	2	AN101338	17	10
AN101135	8	7	AN101339	16	10
AN101147	11	13	AN101341	14	2
AN101149	9	12	AN101346	18	9
AN101155	14	13	AN101347	16	12
AN101157	26	7	AN101352	2	13
AN101162	12	1	AN101354	17	1

AA - Compact PET  
AF - Compact CNG  
AM - Compact LPG

## PART INDEX

RE 4S - BS4 

Part No.	Page No.	Figure No.	Part No.	Page No.	Figure No.
AN101355	17	2a	AN131007	9	7
AN101356	17	12	AN131018	18	8
AN101361	20	17	AN131022	7	20
AN101375	5	6	AN131026	21	8
AN101376	5	7	AN141008	43	5
AN101379	16	1	AN141041	107	3
AN101390	14	2	AN141047	43	4
AN101391	5	15	AN141049	43	11
AN101404	18	1	AN141050	43	13
AN101405	18	1	AN141053	43	1
AN101406	18	2	AN141054	107	4
AN101407	46	1	AN141056	107	9
AN101420	5	2	AN141057	107	8
AN101423	37	15	AN141061	112	26
AN101434	18	3	AN160912	28	2
AN101435	18	4	AN161048	72	2a
AN101440	7	23	AN161074	72	5
AN101448	36	5	AN161075	72	7
AN101450	1	6	AN161086	83	4
AN101452	29	1	AN161126	109	8
AN101453	29	2	AN161129	109	9
AN111013	26	2	AN161130	109	11
AN111037	106	11	AN161220	83	1
AN111047	26	11	AN161235	109	7
AN111048	26	12	AN161263	28	1
AN121205	37	1	AN161316	106	9
AN121206	37	4	AN181012	77	2b
AN121207	37	8	AN191008	83	5
AN121215	36	1	AN191017	71	19
AN121217	30	1	AN191056	75	3
AN121219	30	8	AN191058	75	1
AN121220	108	18	AN191060	75	6
AN121240	36	4	AN191061	76	11
AN121242	44	14	AN191062	75	4
AN131007	7	13	AN191064	76	12

AZ - Compact+ CNG  
RA - Compact+ LPG  
AN - Cargo CNG

## PART INDEX

RE 4S - BS4 

Part No.	Page No.	Figure No.	Part No.	Page No.	Figure No.
AN191068	75	7	AU601400	26	6
AN191076	83	5	AY141202	45	5
AN201012	106	3	AZ111012	42	3
AN201098	79	1	AZ111154	72	2
AN201099	80	2	AZ111156	106	9
AN201100	80	3	AZ113406	27	1a
AN201123	79	1	AZ113806	42	17
AN201125	80	2	AZ131802	66	1
AN211001	100	28	AZ131817	66	1
AP101149	5	12	AZ141221	46	1
AP101210	26	4	AZ161000	71	24
AP101257	14	16	AZ161001	71	23
AP111023	22	12	AZ161003	75	1
AP151002	56	2	AZ161207	75	3
AP151017	59	4	AZ161208	75	4
AP151021	56	1	AZ161209	75	2
AP151025	56	5	AZ161212	75	7
AP151031	60	34	AZ161213	82	22
AP161047	73	20	AZ161215	76	11
AP201037	106	1	AZ171003	42	1
AP201058	105	12	AZ171803	42	7
AS230005	91	12	AZ171805	42	12
AT111042	106	1a	AZ171807	42	15
AT581054	44	6	AZ171811	42	13
AU172002	115	1	AZ171812	42	11
AU172034	115	13	AZ171835	42	14
AU172052	115	6	AZ172004	108	21
AU172066	115	8	AZ172008	111	15
AU172074	115	7	AZ172008	113	15
AU172078	107	14	AZ172013	112	26
AU172078	115	2	AZ172017	107	13
AU402601	115	9	AZ172063	113	1
AU403001	115	10	AZ213006	102	2
AU541007	2	1	AZ213107	102	4
AU541012	2	13	AZ231000	99	15

AA - Compact PET  
AF - Compact CNG  
AM - Compact LPG

## PART INDEX

RE 4S - BS4 

Part No.	Page No.	Figure No.	Part No.	Page No.	Figure No.
AZ232602	77	2a	AZ621022	24	31
AZ233006	93	11	AZ621202	24	20
AZ233007	93	11	BA102004	5	16
AZ351209	26	11	BA103035	34	14
AZ401400	105	4	BA122062	34	10
AZ402222	79	1	BA132045	15	6
AZ402224	80	2	BA132141	22	2
AZ402225	80	3	BA133057	45	7
AZ402403	81	12	BA133058	45	10
AZ402600	82	17	BA133061	45	11
AZ501006	1	4	BA133062	45	9
AZ551200	17	8a	BA133064	45	8
AZ551201	17	8b	BA133066	45	12
AZ581009	34	11	BA161029	72	4
AZ581013	35	3	BA171007	48	8
AZ581018	35	10	BA171007	49	20
AZ581021	35	12	BA171008	48	7
AZ581024	35	5	BA171009	48	5
AZ581026	33	9	BA201001	72	1
AZ581032	34	15	BB121029	33	6
AZ581034	35	1	BB133066	50	9
AZ581039	34	27	BB151026	66	6
AZ581047	6	20	BB151030	50	2
AZ581047	34	22	BB151031	50	4
AZ581069	33	8	BB151034	50	3
AZ581073	35	4	BB151052	64	30
AZ581074	35	14	BB151062	61	8
AZ581219	30	1	BB151063	61	9
AZ581220	30	8	BB151064	61	7
AZ581409	9	9a	BB151073	66	5
AZ582200	44	2	BB151075	68	1
AZ582400	44	6	BB151087	70	26
AZ621011	23	7	BB151088	70	29
AZ621016	23	12	BB161096	86	4
AZ621019	23	1	BB161097	86	5

AZ - Compact+ CNG  
RA - Compact+ LPG  
AN - Cargo CNG

## PART INDEX

RE 4S - BS4 

Part No.	Page No.	Figure No.	Part No.	Page No.	Figure No.
BB161100	84	21	BF131722	52	4
BB161101	84	20	BF131723	52	3
BB161107	54	17	BF131904	61	20
BB161107	64	22	BF131905	62	23
BB161130	83	8	BF161137	69	9
BB161171	95	12	BF161138	69	4
BB161182	104	18	BF161139	69	8
BB161184	104	17	BF161175	69	10
BB161244	93	16	BF161283	69	5
BB161244	96	35	BF161296	71	13
BB161245	93	17	BF172126	43	8
BB161245	96	35	BF185019	65	14
BB171036	48	10	BF185019	77	12
BB171036	49	7	BF551613	2	10
BB171038	49	4	BF551613	7	5
BB181010	63	7	BG113804	66	7
BB181012	63	1b	BG131802	75	8
BB191033	70	33	BG221003	94	27
BB191053	76	17	BG233002	86	2
BB191053	78	16	BG581006	34	18
BB201070	103	6	BG581404	36	6
BB201078	103	1	BG581405	36	10
BB201079	103	2	BH111056	64	21
BB201104	104	1	BH111071	85	18
BB201105	104	2	BH111088	103	22
BB201109	104	15	BH111092	105	19
BB201110	104	16	BH113411	28	3
BB221004	100	21	BH121002	64	23
BB221015	65	5	BH121004	54	1
BB221017	86	15	BH121005	54	2
BB221018	86	16	BH122000	48	6
BB231698	85	22	BH122002	48	2
BF122056	49	15	BH122025	48	12
BF131428	52	10	BH122025	49	10
BF131707	46	14	BH122026	48	16

AA - Compact PET  
AF - Compact CNG  
AM - Compact LPG

## PART INDEX

RE 4S - BS4 

Part No.	Page No.	Figure No.	Part No.	Page No.	Figure No.
BH122026	49	14	BH181204	77	11
BH122028	47	4a	BH181401	93	12
BH122030	48	14	BH181402	93	13
BH122030	49	12	BH181405	93	18
BH131002	52	14	BH181405	96	36
BH131006	59	1	BH181406	93	19
BH131007	66	8	BH181406	96	36
BH131010	52	15	BH184000	85	2
BH131011	59	7	BH184601	86	15
BH131203	52	2	BH184602	86	16
BH131204	52	1	BH185001	35	15
BH131206	46	15	BH185002	35	17
BH131211	52	16	BH185003	35	18
BH131212	59	3	BH191009	99	4
BH131213	59	2	BH191019	99	3
BH131405	98	23	BH191022	99	5
BH131405	99	13	BH191024	100	26
BH131407	98	22	BH191032	97	4
BH131407	99	12	BH191032	99	6
BH131600	56	8	BH191052	99	1
BH131804	66	6	BH211057	94	26
BH131813	59	12	BH211077	78	14
BH131814	59	13	BH211158	94	24
BH131817	65	15	BH211163	94	25
BH151007	63	2	BH211165	93	15
BH151008	63	6	BH211181	93	6
BH151009	63	7	BH213009	102	1
BH151062	63	1a	BH213012	102	2
BH151065	64	14	BH233012	94	30
BH151066	64	15	BH241400	93	4
BH161017	68	9	BH241402	94	22
BH161019	68	1	BH241800	94	21
BH161027	68	3	BH401004	104	9
BH161214	75	9	BH401005	80	5
BH161215	76	10	BH401006	80	6

AZ - Compact+ CNG  
RA - Compact+ LPG  
AN - Cargo CNG

## PART INDEX

RE 4S - BS4 

Part No.	Page No.	Figure No.	Part No.	Page No.	Figure No.
BH551409	46	5	DH101661	3	19
BH551420	46	3	DH101795	20	16
BH551421	46	4	DJ101017	8	6
BH551800	18	11	DK101064	13	9
BH551800	46	2	DK101097	14	11
BH581005	35	8	DK101237	19	16
BH581010	35	6	DK101237	37	21
BH581010	35	9	DK101277	37	17
CE181015	81	2	DK101278	37	18
CE181015	83	19	DK101278	37	18
CL201023	103	3	DK101340	37	13
CM191049	73	17	Dk101449	6	31
CM201054	81	13	DK101472	6	28
CS141005	42	6	DK101751	11	9
CS141005	43	3	DL191020	81	14
CX141044	110	12	DP101145	9	2
CX141045	110	13	DP101154	3	16
CX141046	110	9	DP121025	36	16
DD101062	13	15	DS101276	13	7
DD121013	42	10	DS101277	13	13
DD141227	40	25	DS121126	36	14
DG101262	36	2	DS161125	65	13
DG101263	35	2	DS161224	44	12
DG121002	114	29	DU101068	11	19
DG121040	44	15	DX101074	11	14
DG141019	37	2	EC131821	66	10
DG141019	44	4	EC131835	66	9
DG141019	96	26	EC541004	19	10
DG141019	108	24	EE521220	8	6
DG161124	23	3	GF101139	12	9
DG201057	43	9	GH201012	104	4
DG201084	106	5	GL171031	40	32
DH101141	5	5	GL171072	40	33
DH101180	5	9	JA541019	19	5
DH101275	5	11	JA541020	19	7
			JA551421	20	12

AA - Compact PET  
AF - Compact CNG  
AM - Compact LPG

## PART INDEX

RE 4S - BS4 

Part No.	Page No.	Figure No.	Part No.	Page No.	Figure No.
JA551422	20	13	JS172028	113	14
JA581012	36	15	JS172031	114	23
JA581221	31	3	JS172033	114	25
JA581223	32	12	JS172035	113	6
JC101086	13	4	JS172036	113	3
JD401032	103	11	JU521212	8	5
JE581416	10	22	JY171070	40	29
JE582602	44	17	JY171090	40	40
JE582603	44	16	JZ551417	20	6
JE582604	44	13	JZ581216	32	13
JE591002	29	9	KAAA0514	92	20
JF581209	30	5	KAAA0516	85	15
JF581209	33	9	KAAA0518	87	4
JG122012	48	13	KAAA0518	88	33
JG122012	49	11	KAAA0525	85	12
JG171029	40	22	KAAA0525	88	35
JG171029	40	41	KAAA0825	87	18
JG581015	35	16	KAAA0825	101	5
JG591100	29	15	KAAA0830	87	15
JH171038	40	34	KAAD0520	64	20
JH171048	40	35	KAAD0525	64	20
JH511207	11	10	KAAG0870	92	32
JH582200	44	1	KAAG0885	92	31
JL511205	11	8	KACA0614	11	18
JL511227	11	11	KACC0835	25	2
JN351604	106	12	KADA0512	21	15
JS113801	108	23	KADA0612	88	40
JS113802	108	22	KADA0612	90	41
JS172014	108	26	KADA0612	92	36
JS172015	113	2	KADA0614	72	3
JS172019	114	27	KADA0614	72	3
JS172020	114	19	KADA0620	42	16
JS172023	113	8	KADA0812	80	9
JS172026	114	22	KADA0814	104	20
JS172027	113	9	KADA0822	41	8
			KADB0612	86	10

AZ - Compact+ CNG  
RA - Compact+ LPG  
AN - Cargo CNG

## PART INDEX

RE 4S - BS4 

Part No.	Page No.	Figure No.	Part No.	Page No.	Figure No.
KADB0612	104	8	KBRA3522	88	31
KADB0616	65	11a	KBRA4219	104	12
KADD0530	22	14	KBRA4819	44	18
KADD0612	29	7	KBRB3525	103	15
KADD0612	37	7	KBRC3516	103	18
KADD0630	97	9	KBUA0612	92	27
KADD0630	99	11	KBUC0410	74	21
KADD0816	40	24	KCAA0605	94	32
KADD0816	110	15	KCAD0504	91	18
KADD1030	66	4	KCAD1008	47	12
KADD1030	68	7	KCAD1008	48	18
KADE0612	35	7	KCAD1008	49	17
KADE0620	35	19	KCAD1411	47	7
KADF0625	36	7	KCBD1006	47	12a
KADF0820	36	11	KCBD1006	48	17
KADF0820	114	34	KCBD1006	49	16
KADS0510	105	17	KCEA0605	97	16
KAEA0612	37	16	KCEA0605	99	20
KAED0614	2	17	KCGA0505	85	14
KAED0618	35	20	KCGA0505	88	37
KAED0620	44	3	KCGA0505	96	33
KAED0622	9	11	KCGA0606	30	4
KAEF0608	109	10	KCGA0606	43	10
KBAA0412	39	9	KCGA0606	99	9
KBAA0420	71	15	KCGA0808	39	4
KBAC0614	77	8	KCGA0808	69	15
KBBA0406	55	2	KCGC0606	98	20
KBBA0516	39	18	KCGC0606	99	19
KBBA0525	82	30	KCGD0606	104	11
KBBC0516	90	43	KCGD0808	29	5
KBCA0410	51	15	KCGD0808	34	20
KBCA0410	52	9	KCGD0808	82	20
KBCA0816	87	14	KCGD1010	107	5
KBCD0430	83	7	KCGF0606	90	42
KBRA3510	88	30	KCGF0808	88	41

AA - Compact PET  
AF - Compact CNG  
AM - Compact LPG

## PART INDEX

RE 4S - BS4 

Part No.	Page No.	Figure No.	Part No.	Page No.	Figure No.
KCHA0507	87	5	LAC00029	2	14
KCHA0809	87	16	LAC00035	52	8
KCHB0809	101	4	LAC00044	50	6
KCHC1417	48	3	LAD00017	22	15
KCHC1417	49	21	LAD00035	7	9
KCKA0811	27	5	LAD00062	3	10
KCKA0811	28	11	LAD00062	10	21
KDAA0408	71	6	LAD00064	94	23
KDAA0816	69	2	LAD00068	29	13
KDAA1222	71	3	LAD00124	14	10
KDAB0816	94	31	LAD00136	68	10
KDAB1018	92	30	LAD00164	27	16
KDAC0816	101	6	LAD00164	28	13
KDBA1632	50	12	LAD00180	17	9
KDBb0512	82	29	LAE00019	37	19
KDBB0818	87	17	LAE00023	26	8
KDBB0818	98	17	LAE00045	29	11
KDBB0818	99	16	LAG00002	99	14
KDDB1018	51	13	LAG00008	29	14
KEAA1010	69	7	LAJ00001	7	10
KEBB4217	56	7	LBC00004	5	14
KEBB4717	55	5	LBU00015	22	13
KEBB5520	52	7	LBU00047	84	22
KEBB6825	50	5	LBU00051	84	23
KECA0415	94	20	LCA00010	51	14
KECA7008	76	15	LCG00017	27	18
KHAA2018	71	4	LCG00017	28	15
KHAA2020	69	14	LDA00002	69	6
KHDA0306	13	5	LDA00028	29	10
KJAA2024	56	15	LDA00038	48	4a
KJAA3035	50	10	LDB00047	14	9
KPBB6007	7	4	LDB00049	27	17
LAA00022	7	8	LDB00049	28	14
LAC00008	85	9	LDF00001	77	9
LAC00025	26	5	LHC00001	73	19

AZ - Compact+ CNG  
RA - Compact+ LPG  
AN - Cargo CNG

